

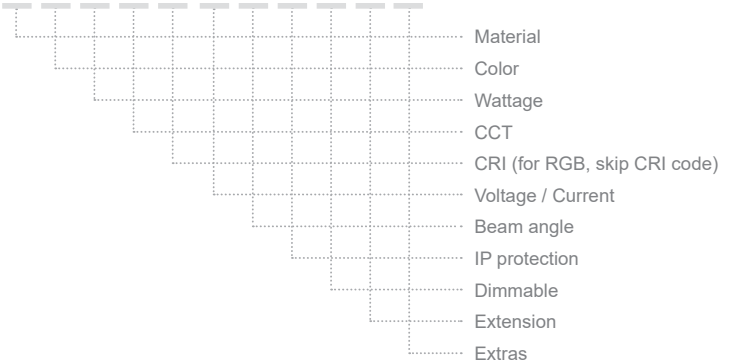
MINI SPOT SQ40



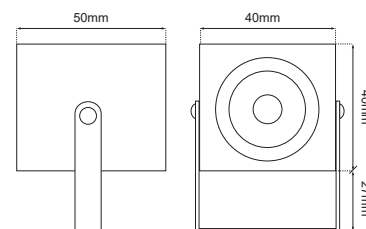
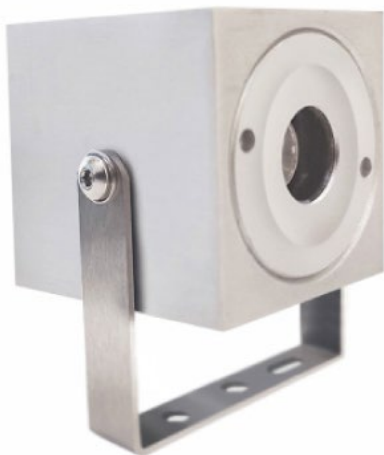
ΠΕΡΙΕΧΟΜΕΝΑ / CONTENTS

Datasheet	1
Manual	3

SKU: **MSPS40-** XX-XX-XX-XX-XX-XX-XX-XX-XX-XX-XX



MINI SPOT SQ40 (MSPS40-) / Datasheet



GENERAL INFORMATION

APPLICATION	Outdoor
DIRECTION OF MOUNTING	Wall / Ground
LIFE TIME	50000 hours
WARRANTY	3-5 years (*5 years upon request)
ORIGIN	Greece
VISIBLE DIMENSIONS (W×H×L)	40 × 40 × 50 mm

MINI SPOT SQ40 / Datasheet

SKU: **MSPS40**- XX-XX-XX-XX-XX-XX-XX-XX-XX-XX-XX

MATERIAL
 COLOR
 WATTAGE
 CCT
 CRI (skip for RGB)
 VOLTAGE/CURRENT
 BEAM ANGLE
 IP PROTECTION
 DIMMABLE
 EXTENSION
 EXTRAS

Material	Color	Wattage	CCT	CRI
Aluminium (01)	Anodised (AN)	0.5W (05W)	2700K (27K)	Ra80 (80)
Inox (02)	Black (BL)	2W (2W)	3000K (30K)	Ra90 (90)
Brass (03)	White (WH)	2.5W (25W)	4000K (40K)	
	Graphite (GF)	3W (3W)	5000K (50K)	
	RAL colors (RL)	4W (4W)	6000K (60K)	
	Patina (PT)		(R) / (G) / (B) / (A)	
	No color ()		RGB (C1)	

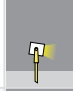
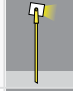
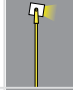
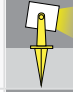
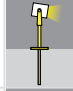
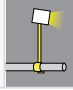
Voltage / Current	Beam Angle	IP protection	Dimmable
12VDC (V1)	Diffuse (DF)	IP65 (65)	Dim (D)
24VDC (V2)	8D (8D)	IP66 (66)	No Dim ()
230VAC (V3)	15D (15D)		
12/24V (V4)	20D (20D)	IP67 (67)	
	35D (35D)		
350mA (V5)	40D (40D)		
500mA (V6)	60D (60D)		

MINI SPOT SQ40 / Datasheet

SKU: **MSPS40** - XX-XX-XX-XX-XX-XX-XX-XX-XX-XX-XX

MATERIAL
 COLOR
 WATTAGE
 CCT
 CRI (skip for RGB)
 VOLTAGE/CURRENT
 BEAM ANGLE
 IP PROTECTION
 DIMMABLE
 EXTENSION
 EXTRAS

Extension	
Without Extension (WE)	
Branch of height 130mm (H13)	Branch of height 130mm with Base R40x27mm (H13MB1)
Branch of height 300mm (H30)	Branch of height 300mm with Base R40x27mm (H30MB1)
Branch of height 400mm (H40)	Branch of height 400mm with Base R40x27mm (H40MB1)
Branch of height 500mm (H50)	Branch of height 500mm with Base R40x27mm (H50MB1)
Branch of height 600mm (H60)	Branch of height 600mm with Base R40x27mm (H60MB1)
Branch of height 700mm (H70)	Branch of height 700mm with Base R40x27mm (H70MB1)
Branch of height 800mm (H80)	Branch of height 800mm with Base R40x27mm (H80MB1)
Branch of height 900mm (H90)	Branch of height 900mm with Base R40x27mm (H90MB1)
Branch of height 1000mm (H100)	Branch of height 1000mm with Base R40x27mm (H100MB1)

Extras	
Pole Ø10×200mm Brass (PL1)	
Pole Ø10×600mm Brass (PL2)	
Pole Ø10×1000mm Brass (PL3)	
Spike D32x150mm Aluminium (SP)	
Pole Φ10x200mm Brass with base (PL4)	
Strap-mount for tree branch (TU)	
None ()	

Δημιουργία Κωδικού προϊόντος / Product Code generator

MSPS40- material - color - wattage - CCT - CRI - voltage/current - beam angle - IP - dimmable - extension - extras

EXAMPLE:

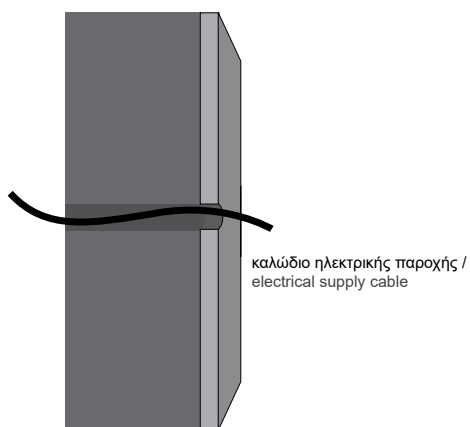
MSPS40 - 01-BL-3W-27K-90-V1-15D-65-D-H13-PL1

for MINI SPOT SQ40, aluminium, black, 3W, 2700K, Ra90, 12VDC, 15D, IP65, dimmable, Branch of height 130mm, Pole Ø10×200mm Brass)

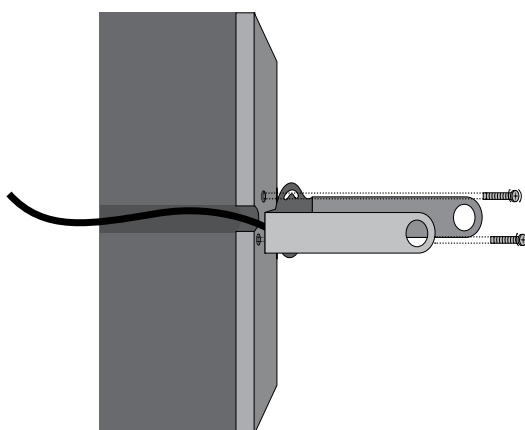
MINI SPOT SQ40 / Manual

1. ΠΡΟΕΤΟΙΜΑΣΙΑ ΓΙΑ ΕΦΑΡΜΟΓΗ ΣΤΟΝ ΤΟΙΧΟ / PREPARATION FOR WALL APPLICATION
2. ΤΟΠΟΘΕΤΗΣΗ ΒΑΣΗΣ ΣΤΟΝ ΤΟΙΧΟ / APPLICATION OF BASE ON WALL
3. ΚΑΝΕΤΕ ΤΗΝ ΗΛΕΚΤΡΙΚΗ ΣΥΝΔΕΣΗ / MAKE THE ELECTRICAL CONNECTION
4. ΤΟΠΟΘΕΤΗΣΗ ΤΟΥ ΦΩΤΙΣΤΙΚΟΥ / PLACE THE LUMINARY

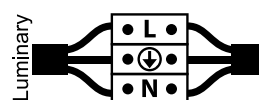
1.



2.

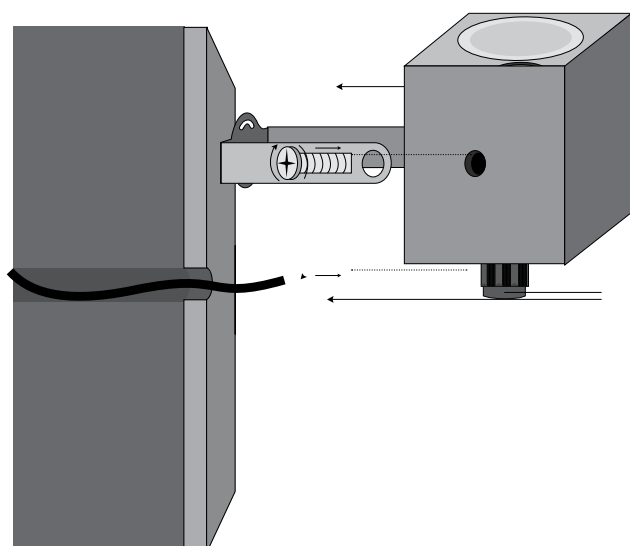


3.



Συνδέστε το καλώδιο του φωτιστικού με την ηλεκτρική παροχή. /
Connect the cable of the luminaire with the electrical supply.

4. Εφαρμογή στον τοίχο /
Application on the wall



5. Εφαρμόστε το φωτιστικό στην τοποθετημένη βάση και βιδώστε το πάνω της μέχρι να σταθεροποιηθεί. /
Apply the lamp to the mounted base and tighten it until it is firmly stabilized on the base.

