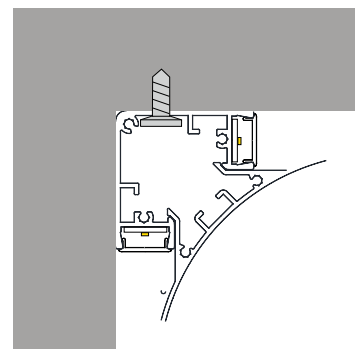
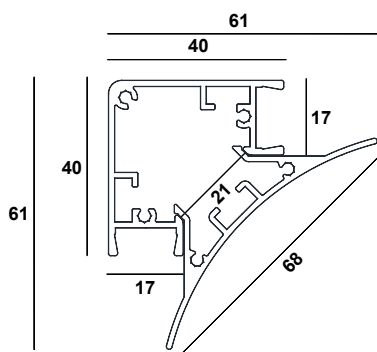


ALUMINIUM PROFILE ANGLE 40 CURVE WITH BASE

SKU: 00010803-047



GENERAL INFORMATION

Material	Extruded Aluminium
Available colors	Anodized, Black, White, RAL
Application	Indoor - Outdoor / Surface Mounted
Dimensions (H×W)	61 × 61 mm
Max available length	2000 mm
Weight	1090gr/m

XPHZH / TO BE USED WITH

End cap Curved
for profile Angle 40



SKU 82010803-097