

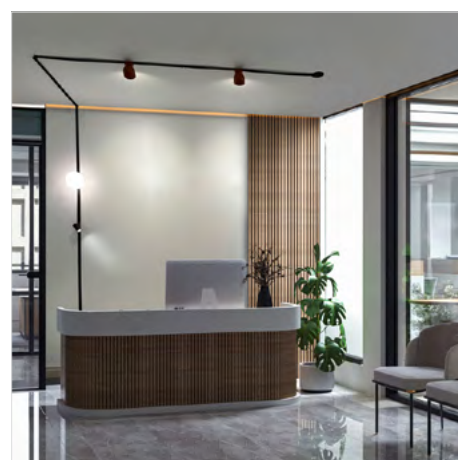
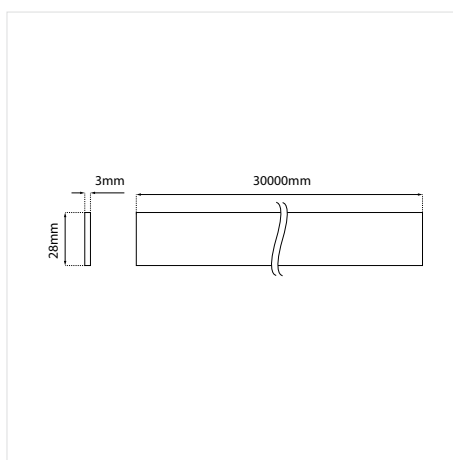
BELT TRACK 4 WIRE

SKU: ■ Red: Ε4010103-155, ■ Green: Ε4010103-157, ■ Black: Ε4010103-156, ■ Beige: Ε4010103-224

ΠΕΡΙΕΧΟΜΕΝΑ / CONTENTS

DATASHEET	1
MANUAL	2
BELT TRACK LIGHTS	20

DATASHEET



GENERAL INFORMATION

APPLICATION	Indoor
DIRECTION OF MOUNTING	Ceiling / Wall
MATERIAL	Polyester (50%), Copper (30%), Silicone (20%)
AVAILABLE COLORS	Red / Green / Black / Beige
VISIBLE DIMENSIONS (W×H)	28 × 3mm
MAX LENGTH	30000mm (30m)
IP RATING	IP20
ORIGIN	PRC

BELT TRACK 4 WIRE MANUAL

Caution

Before assembling and installing this product, carefully read the following:

- Switch off the mains before installing the luminaire.
- For ceiling, wall or floor installations, choose the most suitable fixing elements based on the relevant construction materials.
- Before the installation, make sure the installation surface will not be damaged. If this happens, it will be the installer's responsibility.
- If the belt part of the light fitting is damaged the replacement strap must be ordered through the manufacturer or its technical service to avoid risks.
- This lamp is for indoor use only, excluding bathrooms or any type of damp surface.
- Make sure that the ceiling, wall or floor are capable of supporting the weight and tensile strength of the light.
- We recommend reading the manual before installing the lamp. Keep these instructions for future reference.
- Use these gloves to touch the lamp during the installation to avoid smudges and dirt on its surface.

Installation Accessories

Belt Accessories			Fasten Accessories			Tension Clips		
B1	Double end cap	3	F1	Fasten anchor	5-6	T1	Cable end cap	9
B2	Pendant end cap	4	F2	Belt stand	7	T2	Pendant Cable	10
			F3	Counter weight	8			

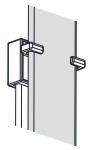
Electrical Connection Accessories

E1	Build in power feed	12-15
E2	Surface power feed	16-17
E3	Remote power feed	18
E4	Surface driver box	See E4 installation manual

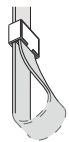
Installation Accessories



Belt

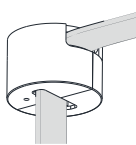


B1
Double end cap
Page 5

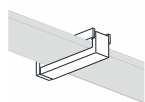


B2
Pendant end cap
Page 6

Fasten



F1
Fasten anchor
Page 7-8

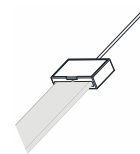


F2
Belt stand
Page 9



F3
Counter weight
Page 10

Tensin



T1
Cable end cap
Page 11

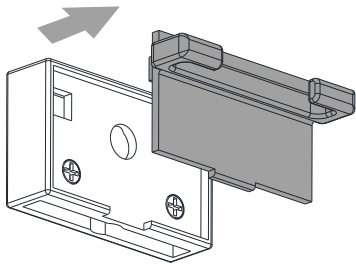


T2
Pendant Cable
Page 12

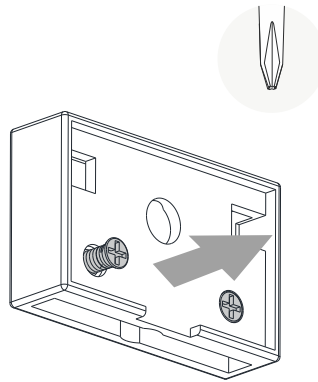
BELT TRACK 4 WIRE MANUAL

B1 Double end cap

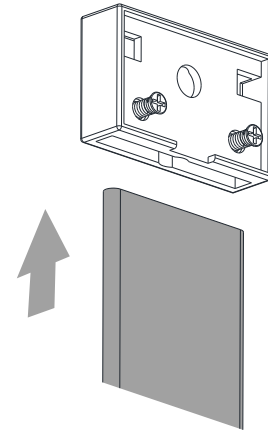
1.1



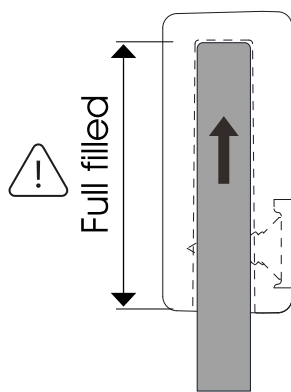
1.2



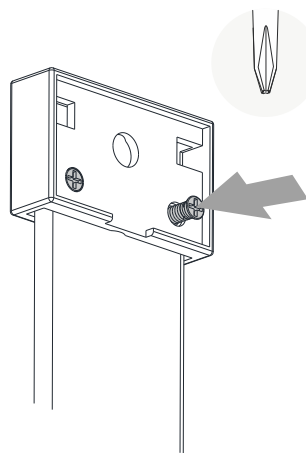
1.3



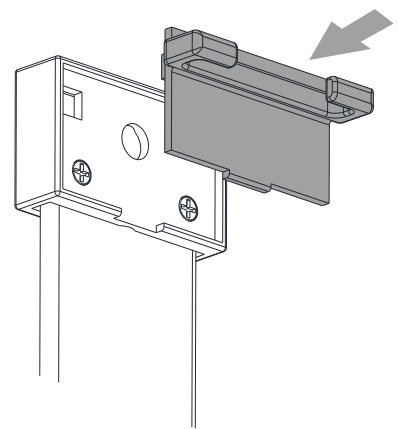
1.4



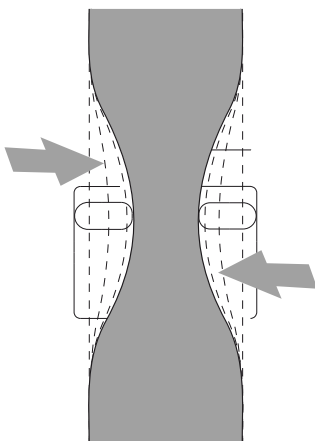
1.5



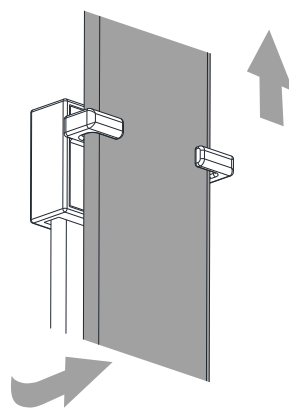
1.6



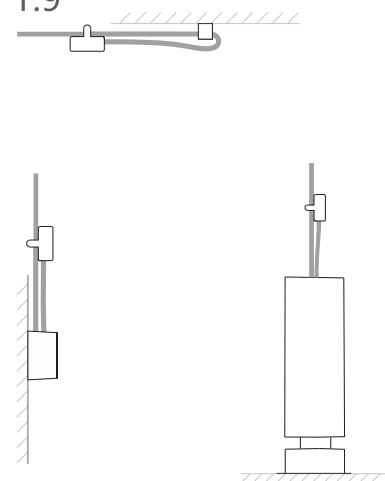
1.7



1.8



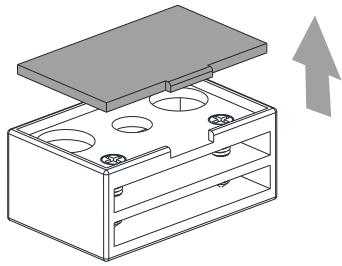
1.9



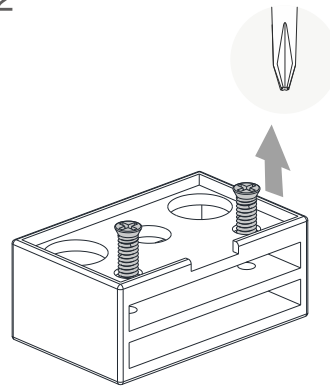
BELT TRACK 4 WIRE MANUAL

Pendant end cap B2

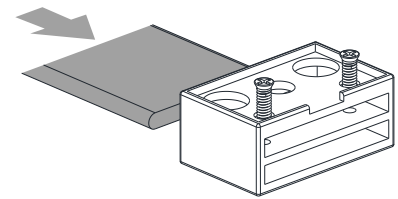
2.1



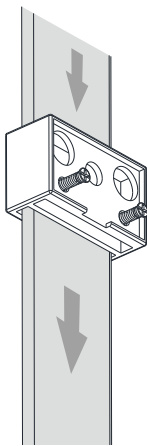
2.2



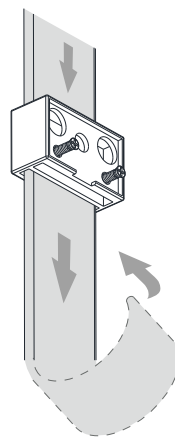
2.3



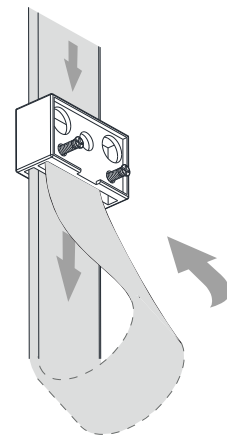
2.4



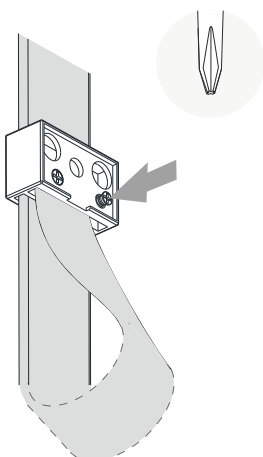
2.5



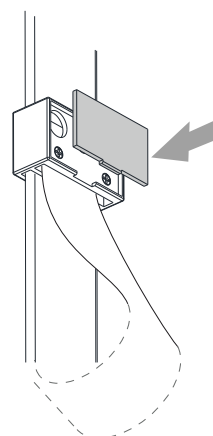
2.6



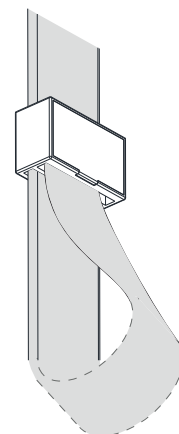
2.7



2.8



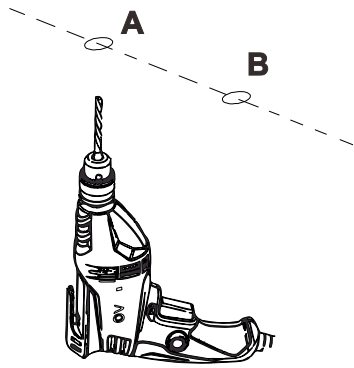
2.9



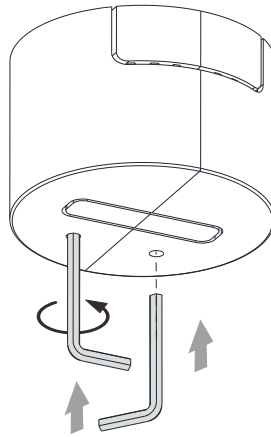
BELT TRACK 4 WIRE MANUAL

F1 Fasten anchor

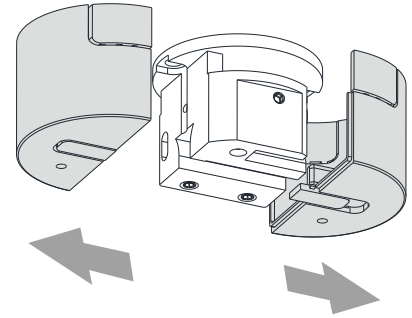
3.1



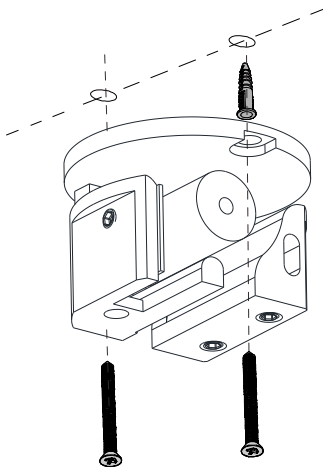
3.2



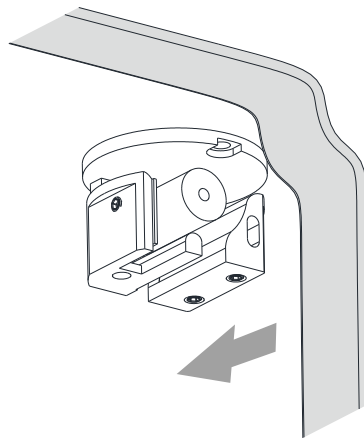
3.3



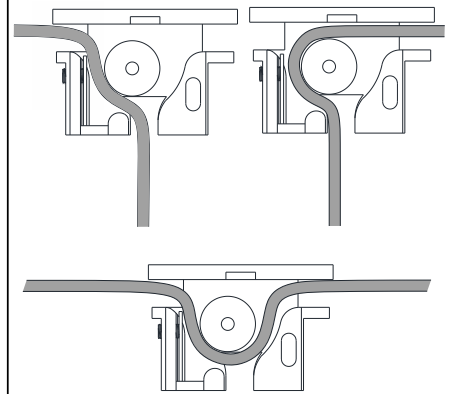
3.4



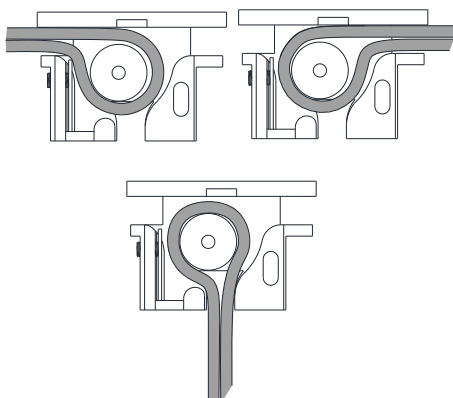
3.5



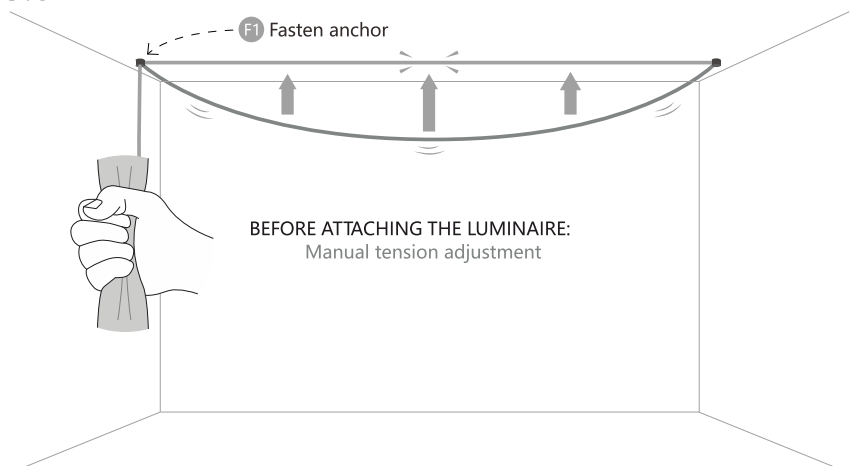
3.6



3.7

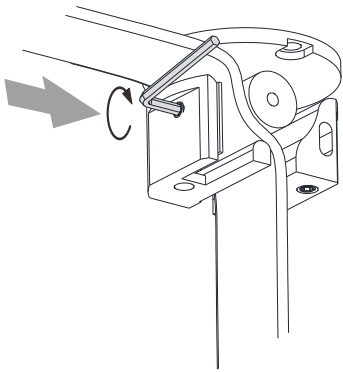


3.8

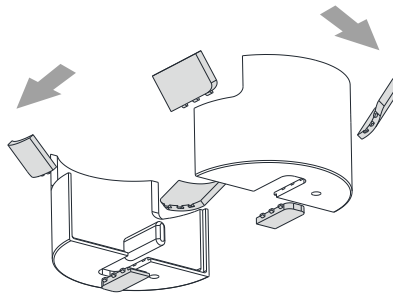


BELT TRACK 4 WIRE MANUAL

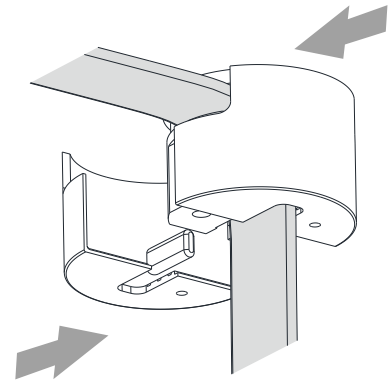
3.9



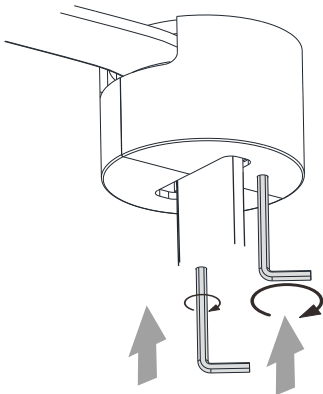
3.10



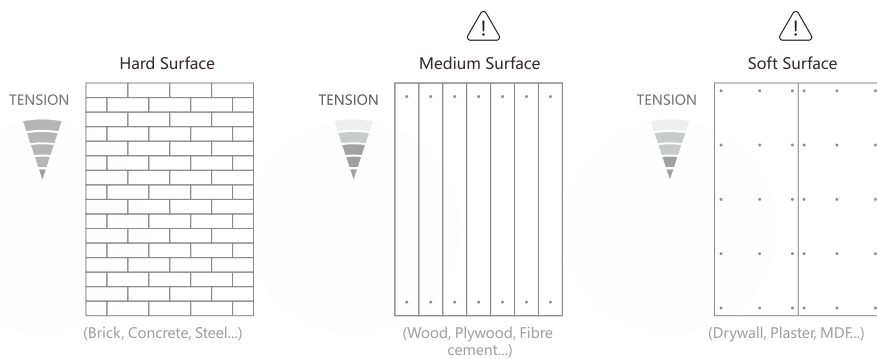
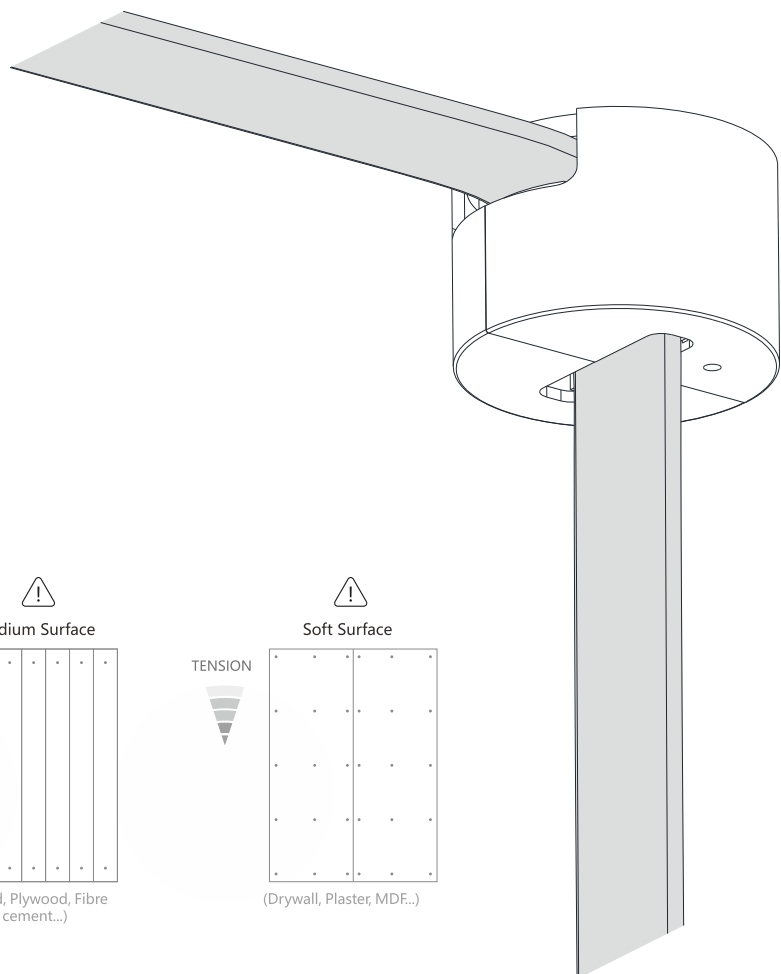
3.11



3.12



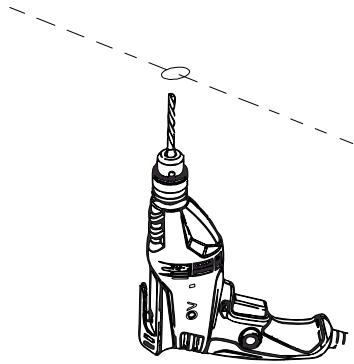
3.13



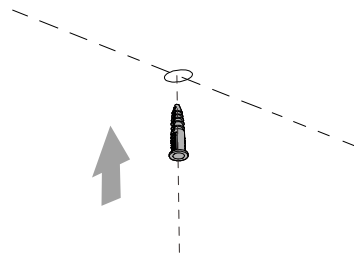
BELT TRACK 4 WIRE MANUAL

F2 Belt stand

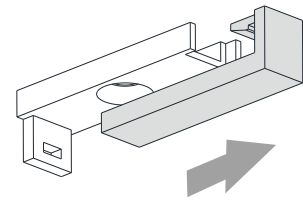
4.1



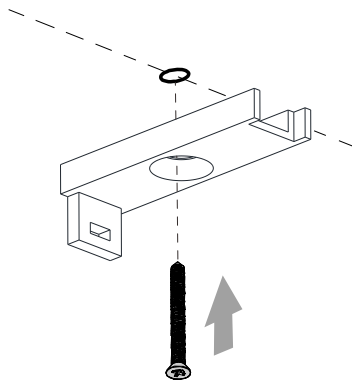
4.2



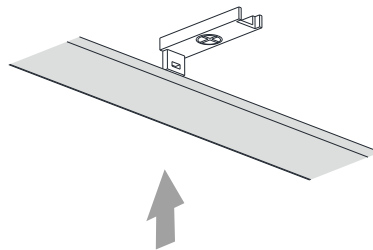
4.3



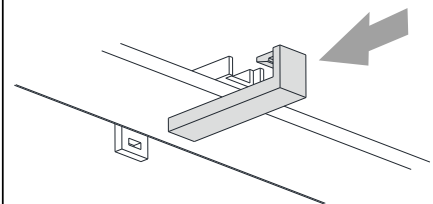
4.4



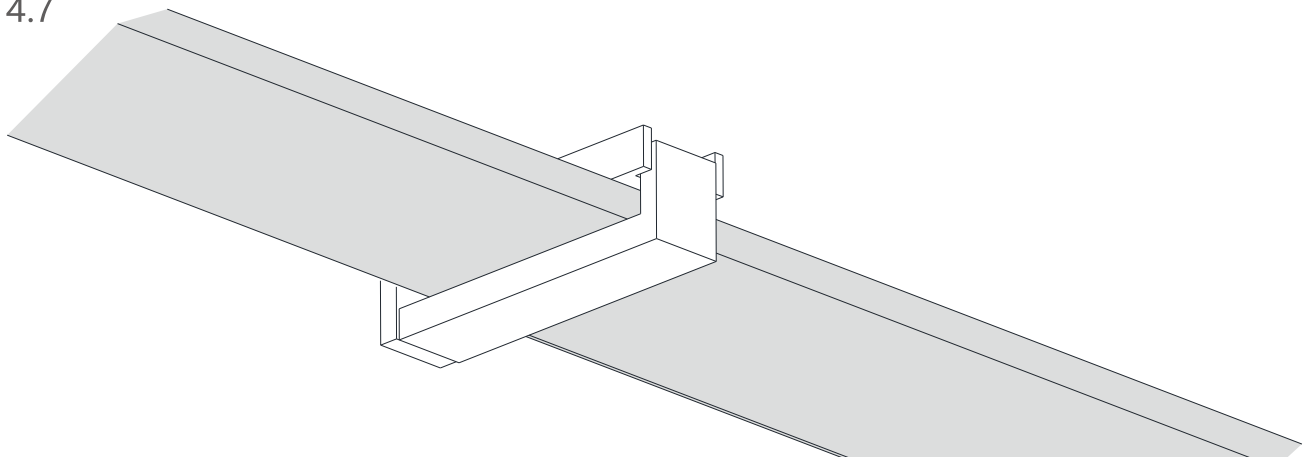
4.5



4.6



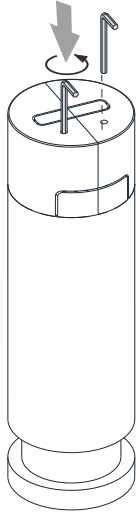
4.7



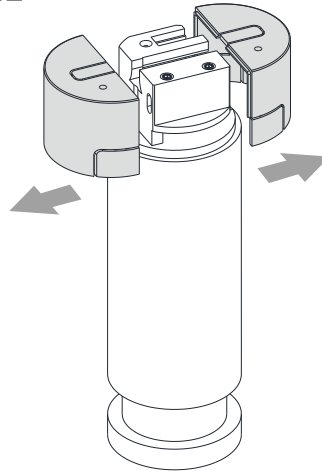
BELT TRACK 4 WIRE MANUAL

Counter weight **F3**

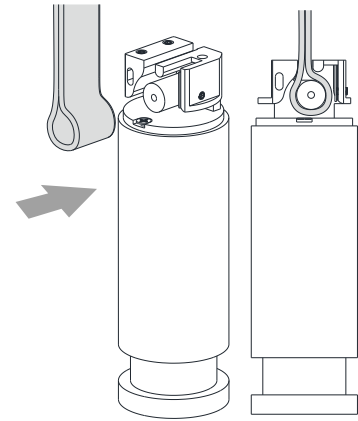
5.1



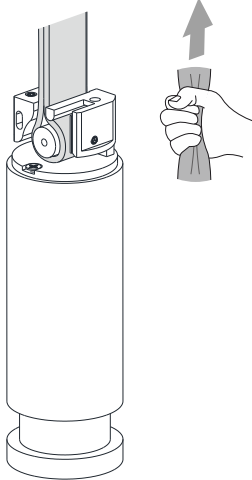
5.2



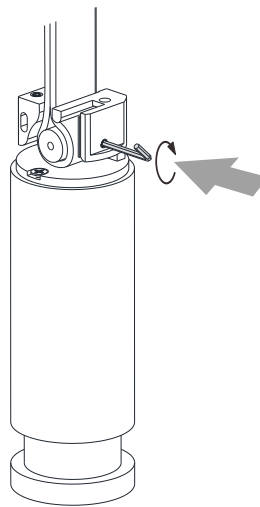
5.3



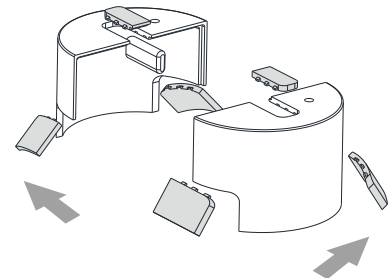
5.4



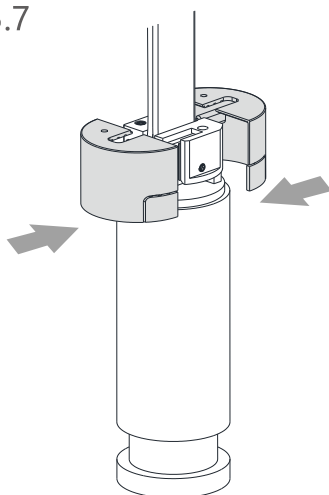
5.5



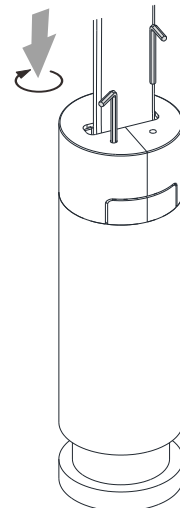
5.6



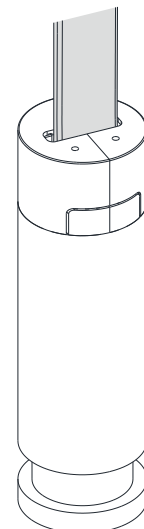
5.7



5.8



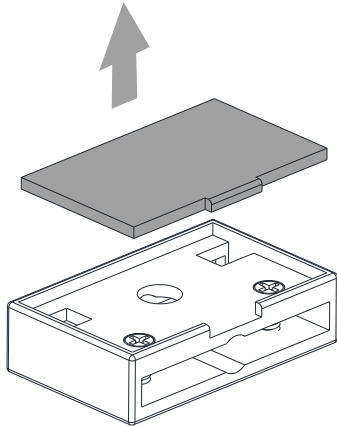
5.9



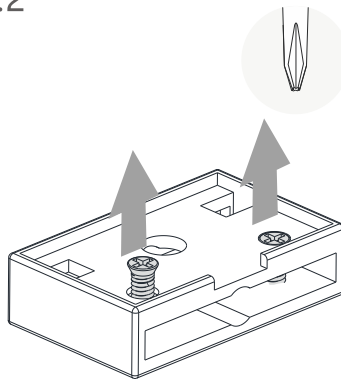
BELT TRACK 4 WIRE MANUAL

T1 Cable end cap

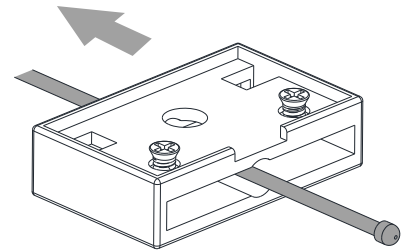
6.1



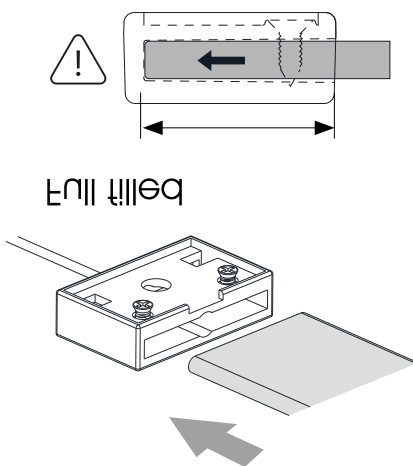
6.2



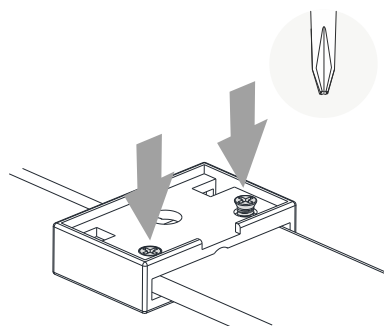
6.3



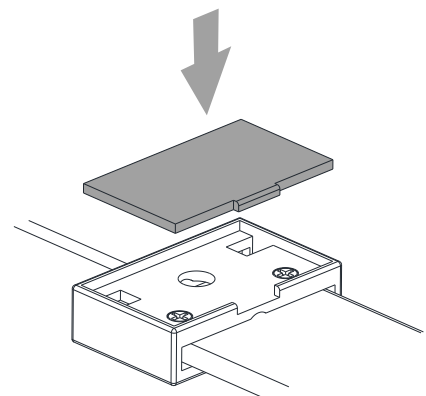
6.4



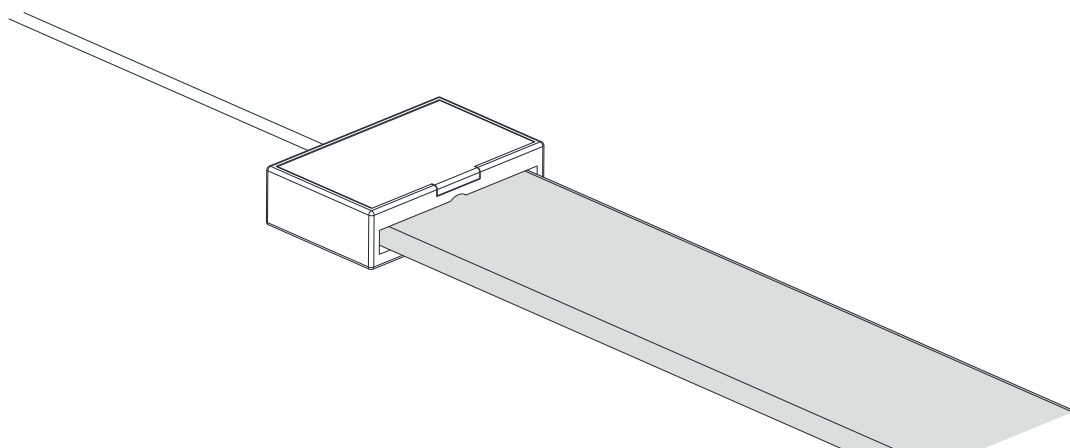
6.5



6.6



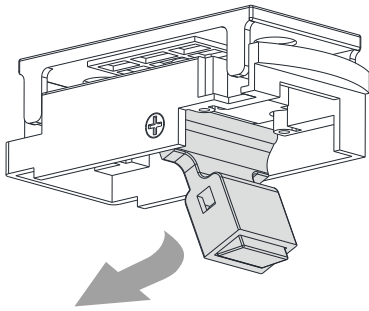
6.7



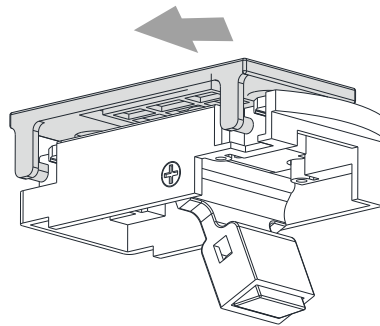
BELT TRACK 4 WIRE MANUAL

Pendant Cable T2

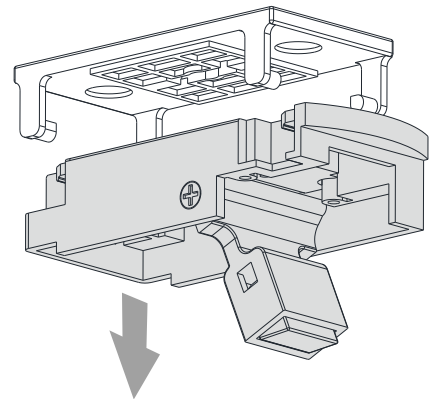
7.1



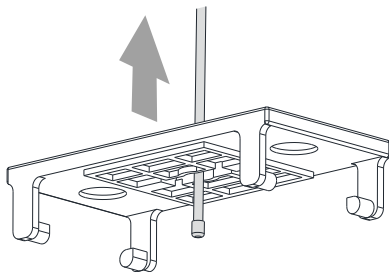
7.2



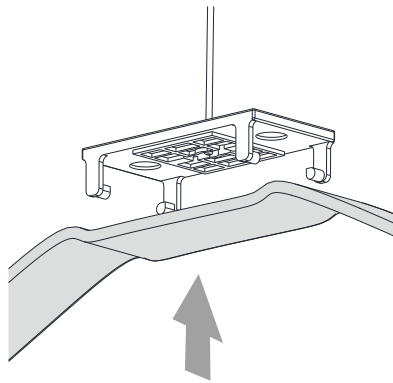
7.3



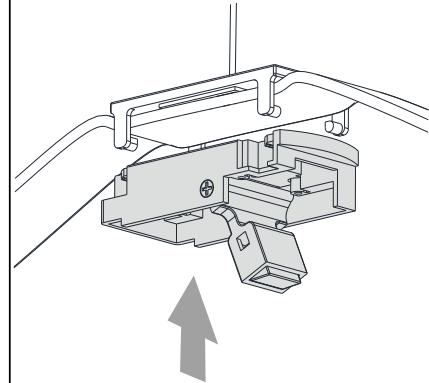
7.4



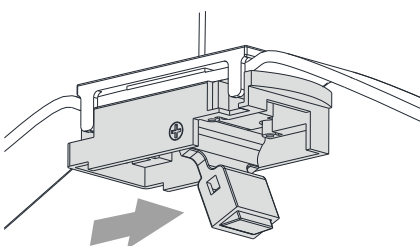
7.5



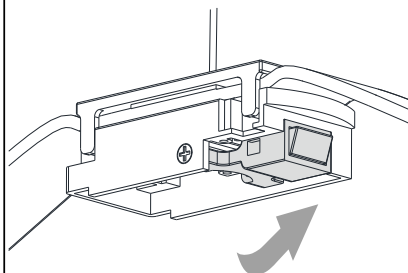
7.6



7.7



7.8



7.9



Electrical Connection Accessories

Remote

- E1** Build in power feed
Page 12-15



- E2** Surface power feed
Page 16-17



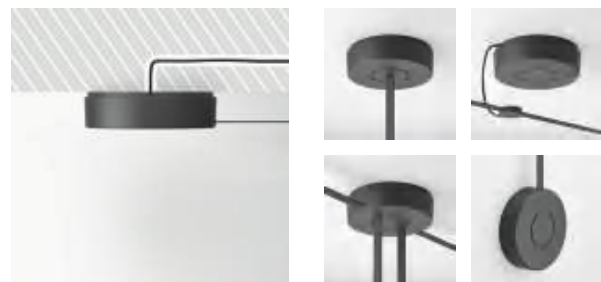
Optional Wire Connection

- E3** Remote power feed
Page 12-18



Surface

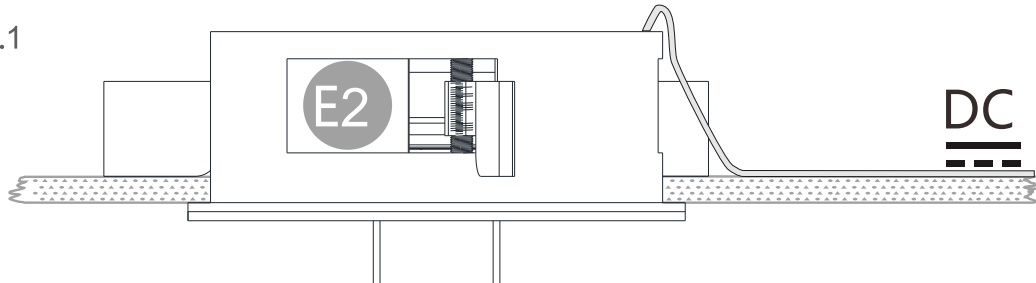
- E4** Surface driver box
(See E4 installation manual)



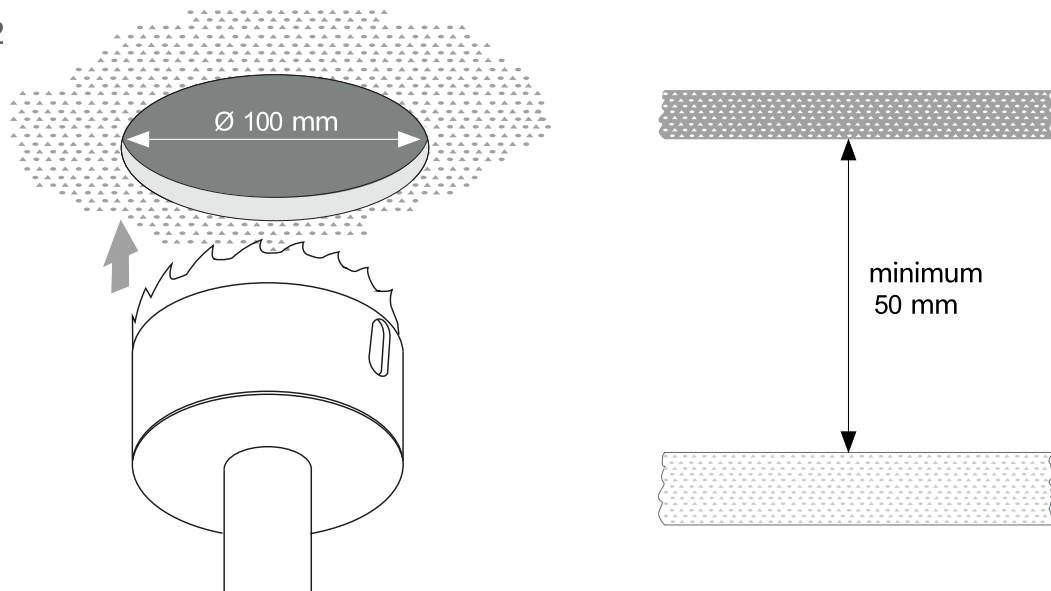
BELT TRACK 4 WIRE MANUAL

Build in power feed E1

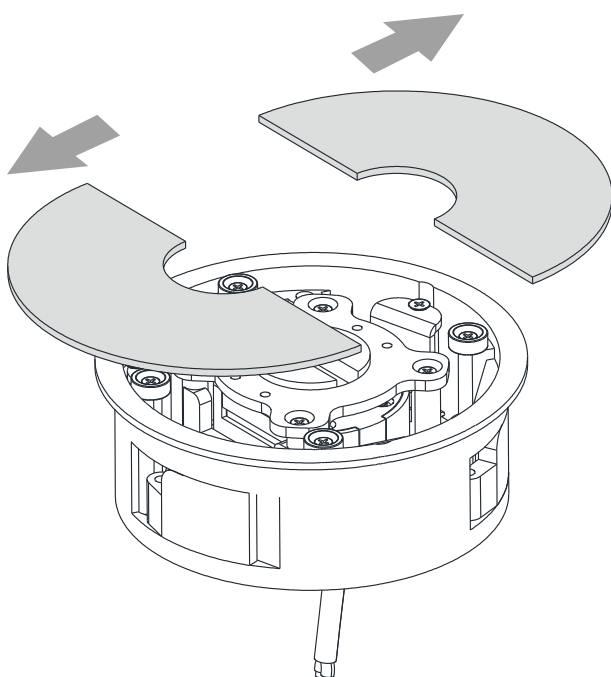
8.1



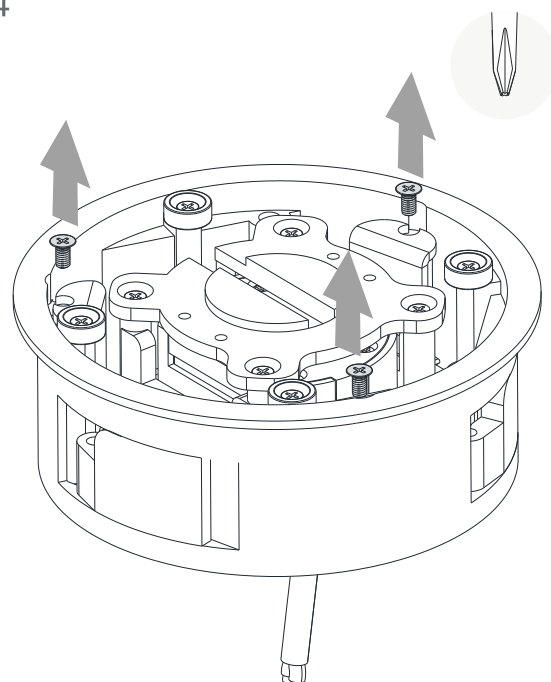
8.2



8.3

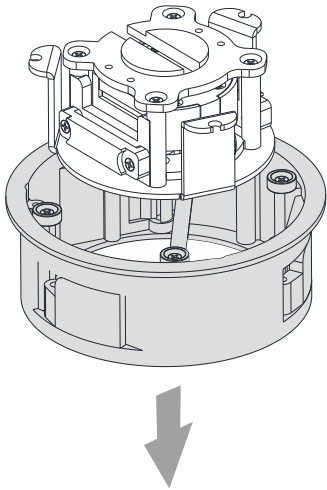


8.4

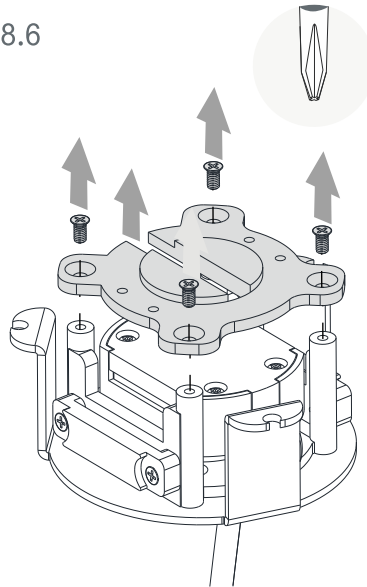


BELT TRACK 4 WIRE MANUAL

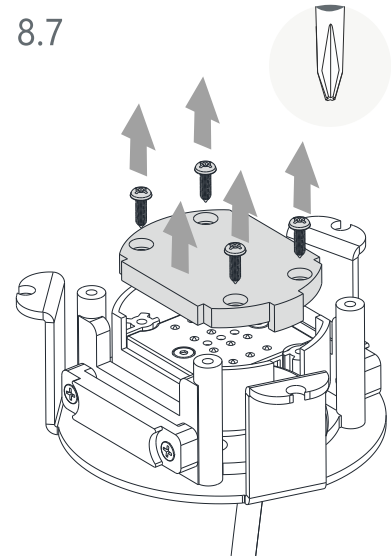
8.5



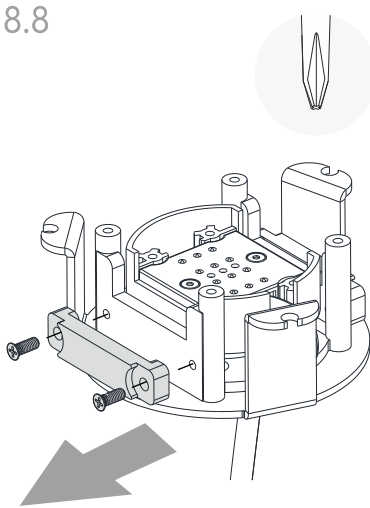
8.6



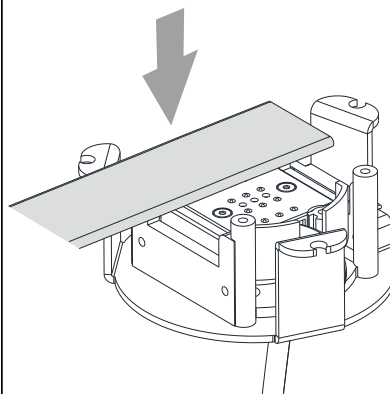
8.7



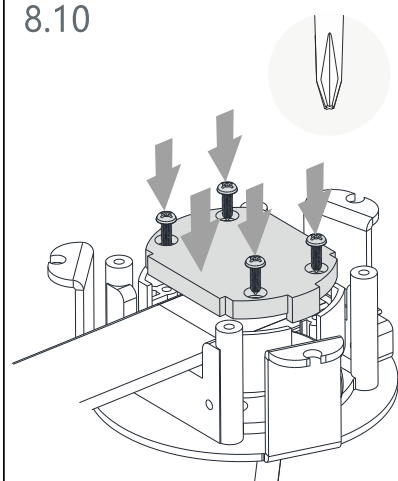
8.8



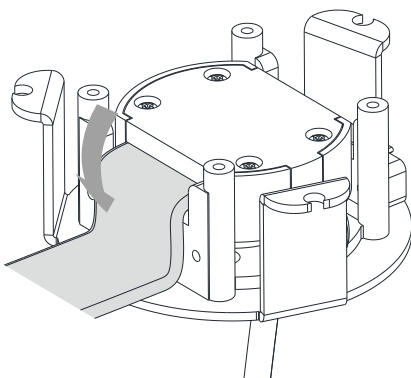
8.9



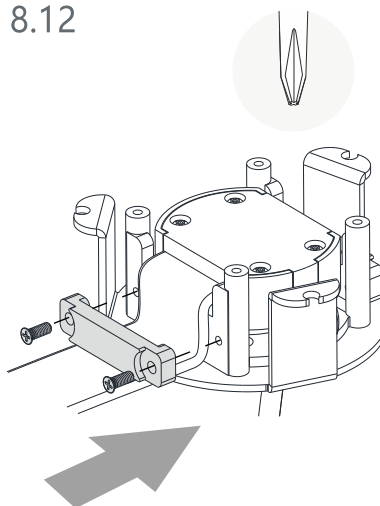
8.10



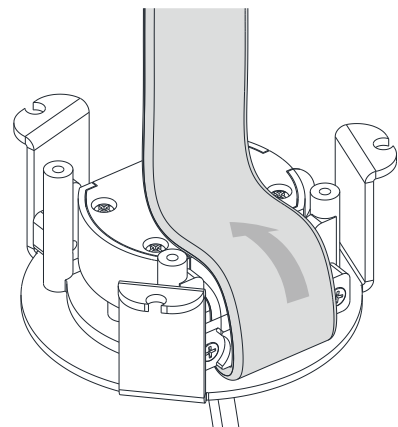
8.11



8.12

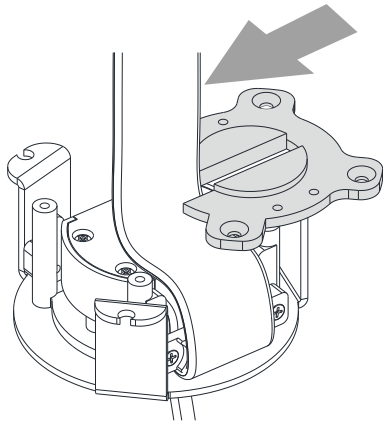


8.13

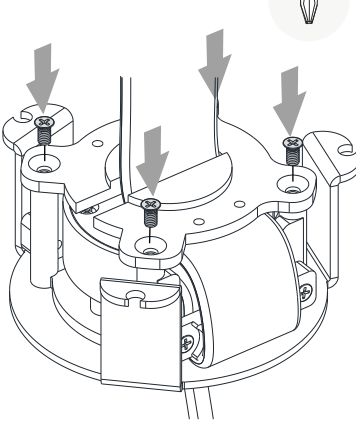


BELT TRACK 4 WIRE MANUAL

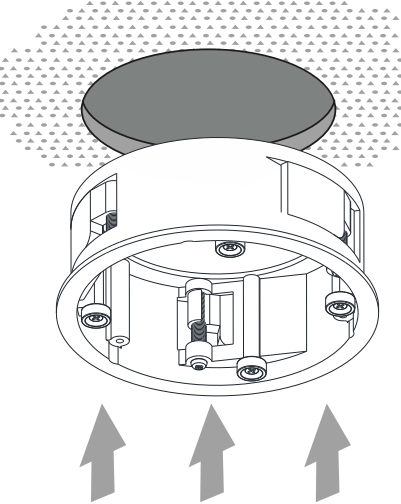
8.14



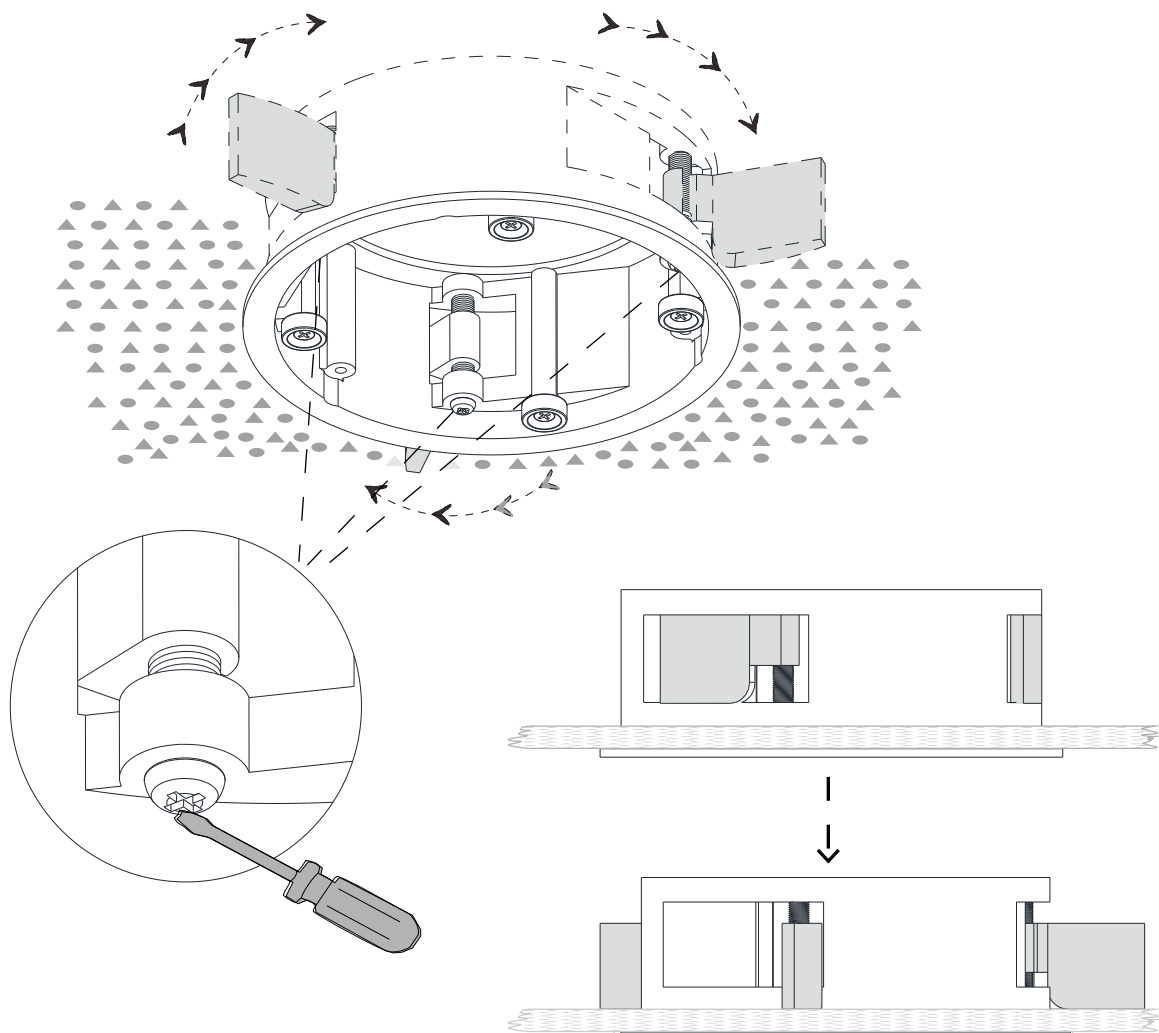
8.15



8.16

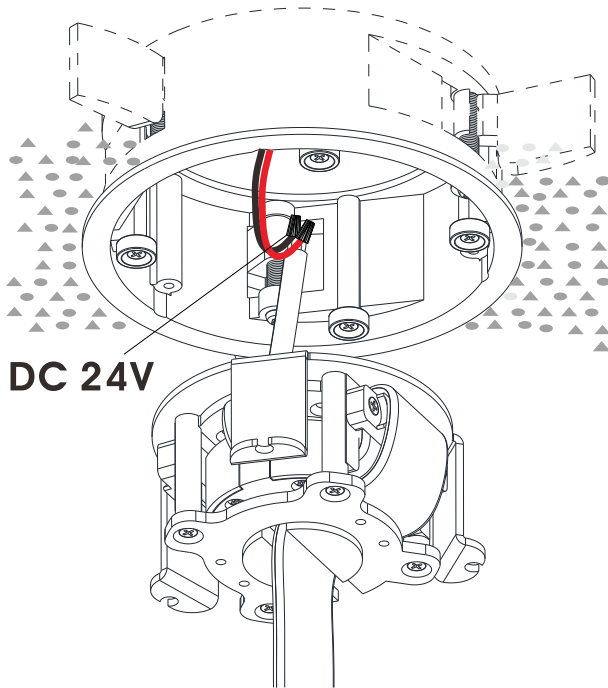


8.17

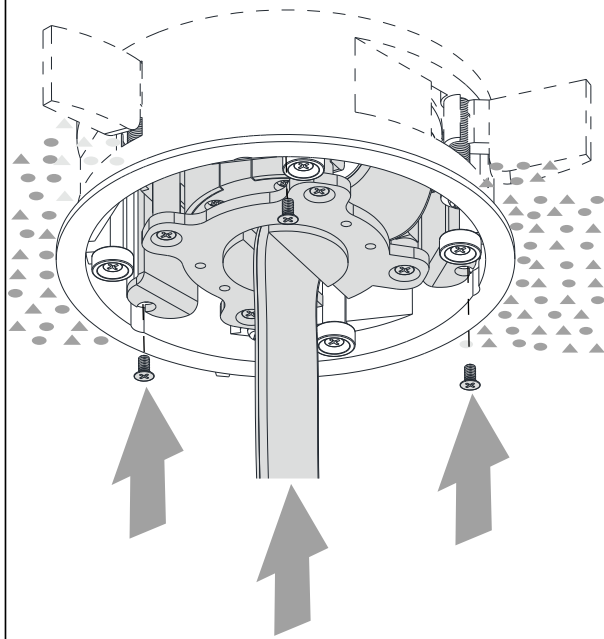
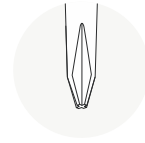


BELT TRACK 4 WIRE MANUAL

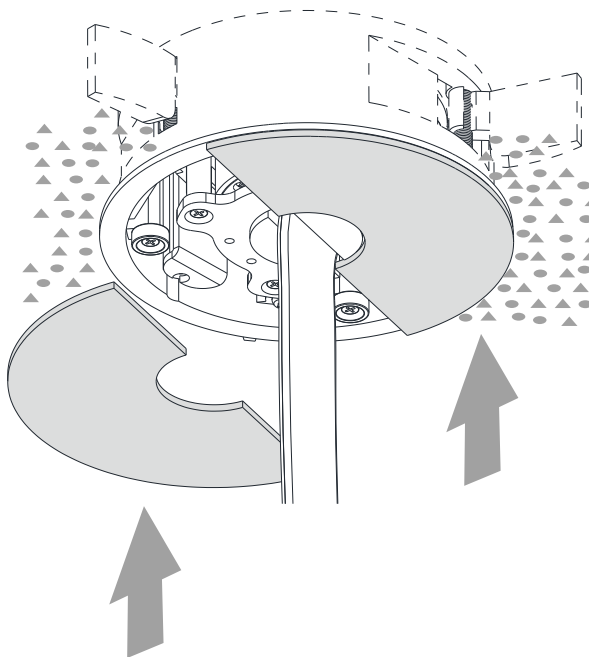
8.18



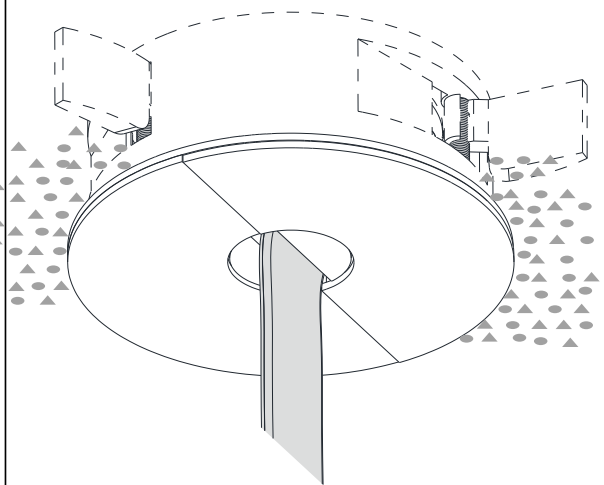
8.19



8.20

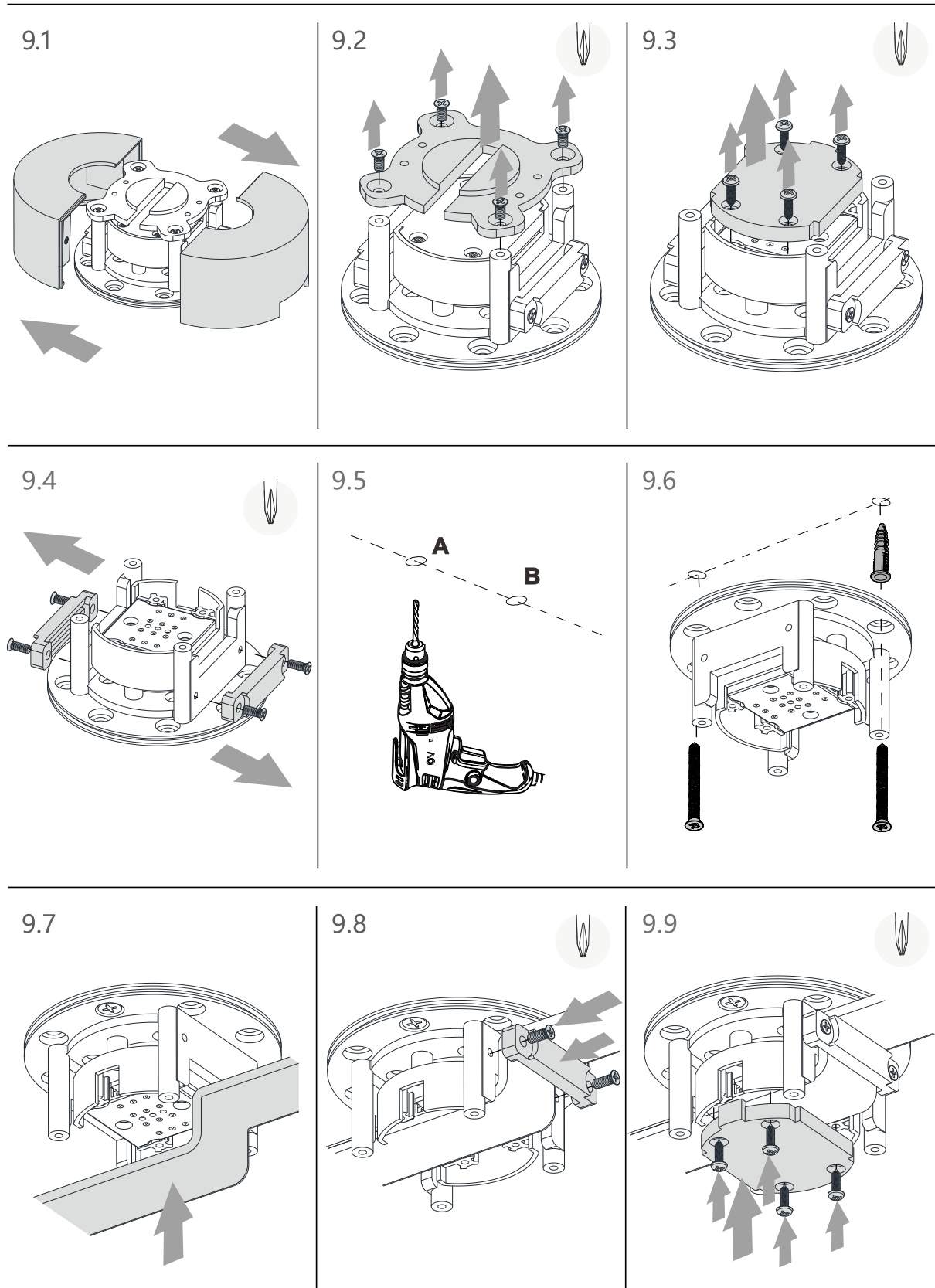


8.21



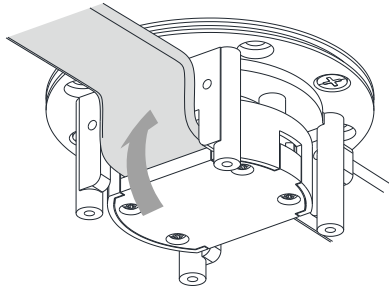
BELT TRACK 4 WIRE MANUAL

E2 Surface power feed

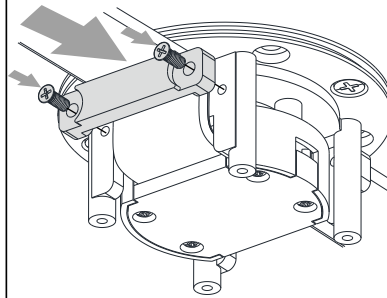


BELT TRACK 4 WIRE MANUAL

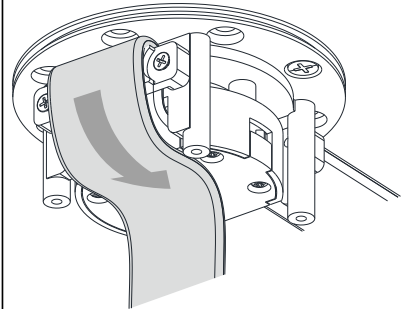
9.10



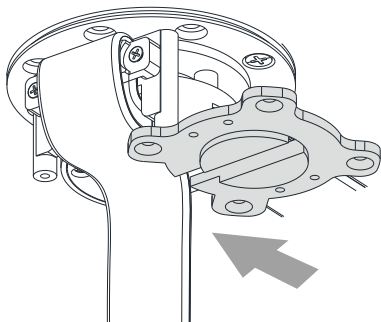
9.11



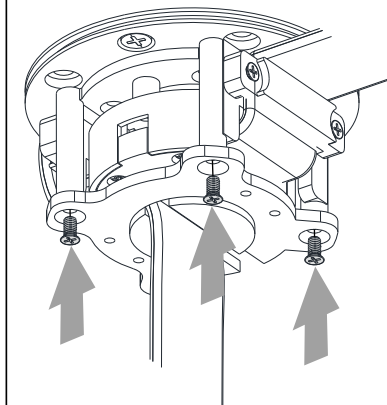
9.12



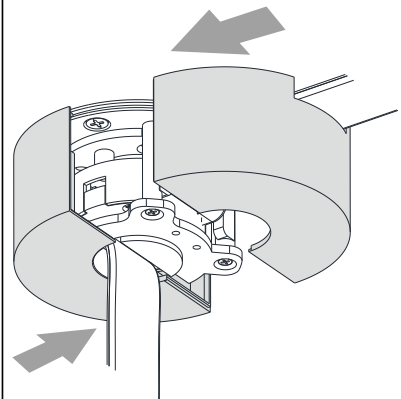
9.13



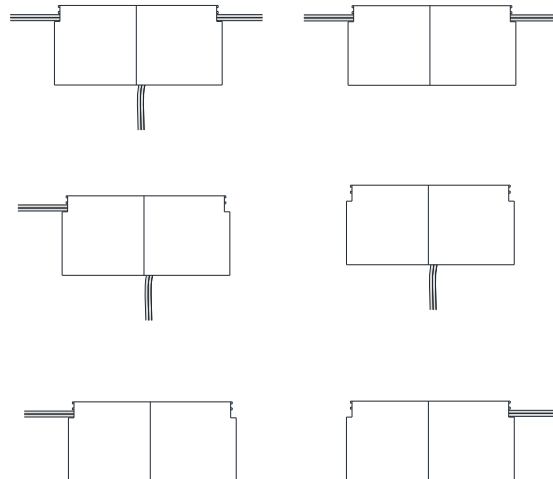
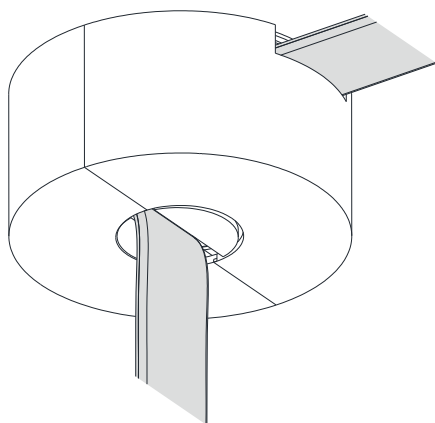
9.14



9.15



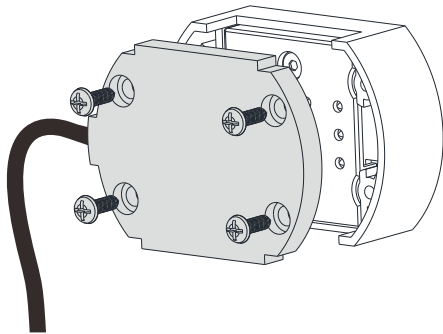
9.16



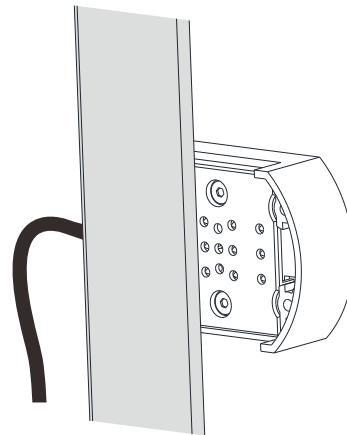
BELT TRACK 4 WIRE MANUAL

E3 Remote power feed

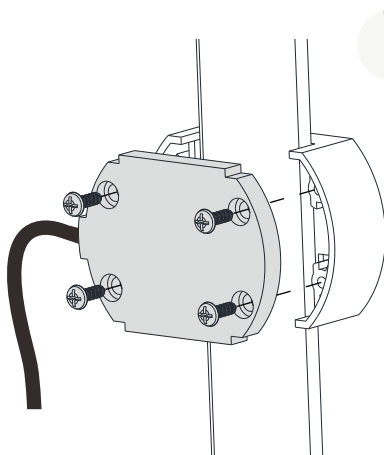
10.1



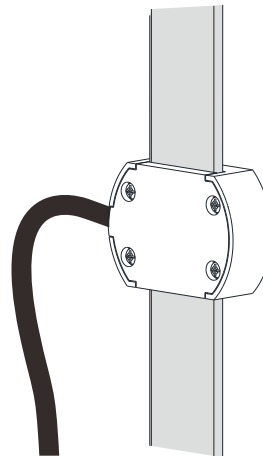
10.2



10.3



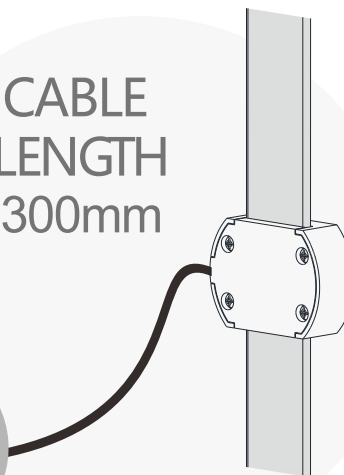
10.4



DC24V













CABLE
LENGTH
300mm



BELT TRACK 4 WIRE

BELT TRACK LIGHTS

BELT TRACKS					
	BELT TRACK 4 WIRE Red: E4010103-155	BELT TRACK 4 WIRE Black: E4010103-156	BELT TRACK 4 WIRE Beige: E4010103-224	BELT TRACK 4 WIRE Green: E4010103-157	
	LUMINAIRES				
		LINE BELT 30W Diffused 3000K RA90 24V Red: E4010103-158 Black: E4010103-227 Beige: E4010103-228	LUNA BELT D200 12W Opal 30K RA90 Red: E4010103-159 Black: E4010103-229 Beige: E4010103-230	LUNA BELT D300 20W Opal 30K Red: E4010103-225	HEMIPHERE BELT D200 15W Diffused RA90 Red: E4010103-160 Black: E4010103-231 Beige: E4010103-232
					
	FOCUS BELT D100 12W Opal 30K Red: E4010103-226 Black: E4010103-233 Beige: E4010103-234	CONE BELT D600 20W 30K Diffused RA90 Red: E4010103-161			

BELT TRACK 4 WIRE

ELECTRICAL CONNECTION	 <p>Surface Driver Box D250 for Belt Track ■ Red: E4010103-254 ■ Black: E4010103-235 ■ Green: E4010103-255</p>	 <p>Recessed Power Feed D110 for Belt Track ■ Red: E4010103-223 ■ Black: E4010103-236 ■ Green: E4010103-237</p>	 <p>Surface Power Feed D80 for Belt Track ■ Red: E4010103-238 ■ Black: E4010103-239 ■ Green: E4010103-240</p>	 <p>Remote Power Feed Surface for Belt Track ■ Black: E4010103-235</p>
INSTALLATION	 <p>Surface Mounted Kit for Belt Track ■ Red: E4010103-242 ■ Black: E4010103-163 ■ Green: E4010103-243</p>	 <p>Surface Fasten Anchor for Belt Track ■ Red: E4010103-244 ■ Black: E4010103-245 ■ Green: E4010103-246</p>	 <p>Surface Counter Weight for Belt Track ■ Red: E4010103-247 ■ Black: E4010103-248 ■ Green: E4010103-249</p>	 <p>Surface Cable End Cap for Belt Track ■ Black: E4010103-250</p>
	 <p>Surface Double Cable End Cap for Belt Track ■ Black: E4010103-251</p>	 <p>Pendant Cable End Cap for Belt Track ■ Black: E4010103-252</p>		