



Index

TECHNICAL SPECIFICATIONS	2
BENDING RADIUS	2
PHOTOMETRIC INFORMATION	3
POWER CONSUMPTION	3
MAXIMUM CABLE LENGTH RGB 160	4
MAXIMUM CABLE LENGTH RGB 240	5
POWER AND CONNECTION DIAGRAM	6
AREA ADVICE	7
SYMBOLS	8

Side RGB 160/240

The liniLED® Side RGB LED strip (IP20) is a high quality, flexible LED strip with a unique co-extrusion technology. The built-in reflection guarantees an optimal light effect from the side. Therefore the liniLED® Side RGB LED strip is ideal for indoor and outdoor usage in round shaped coves, around pillars, etc. Combine with the IP64, IP67 or IP68 solution.

In order to power liniLED® products safely, it is absolutely necessary to operate them with an electronically stabilized power supply protected against short circuits, overload and overheating.

To ease the luminaire/ installation approval, electronic control gear for liniLED® products should carry the CE mark. Preferably a controller from the liniLED® Control Range. In Europe, the declarations of conformity must include the following standards: CE: EN 55015, IEC 61547 and IEC 61000-3-2.

For the latest version of this datasheet, visit our website: www.liniLED.com

USPs

- Made in Europe
- Unique co-extrusion technology with built in reflection (hollow chamber)
- IP20 up to IP68 (with liniLED® Cast joint)
- Very flexible (bend radius > 30 mm)
- Dimmable
- Effective heat dissipation
- Excellent lumen/ Watt ratio
- UV, frost, seawater & chlorine vapour resistant
- Available in various colours
- Extensive range of accessories
- Plug & Play

Available colours

Colour	Description
 RGB	liniLED® Side RGB 160
 RGB	liniLED® Side RGB 240

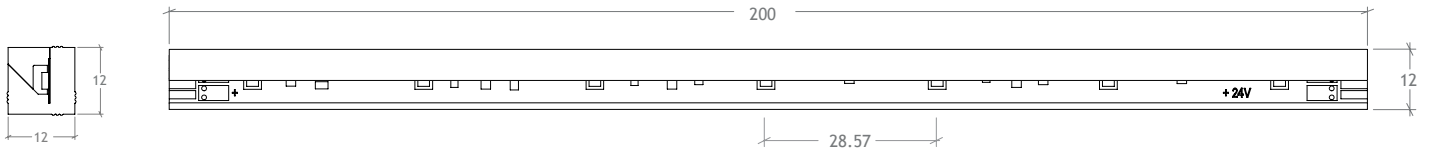


Technical specifications

	RGB 160	RGB 240
Product code [m]	11760	11869
Power (24 V DC)	4.8 W/m	7.4 W/m
Power (25 V DC)	5.0 W/m	7.7 W/m
Luminous flux	97 lm/m (R 33, G 62, B 8 lm/m)	168 lm/m (R 55, G 110, B 18 lm/m)
Luminous efficiency	20 lm/W	23 lm/W
Max. connection length	10 m	5 m
Expected lifetime	B50/L50 > 50,000 hours @ $T_c = 40^\circ\text{C}$	B50/L70 > 50,000 hours @ $T_c = 40^\circ\text{C}$
Spool length	Max. 50 m	
Section length	20 cm	
LED	MULTILED	
Number of LEDs	7 per section / 35 per metre	
Operating voltage	24 V DC	
Max. operating voltage	25 V DC	
Beam angle	55°	
Dimensions	12 x 12 mm	
Dimmable	PWM dimming, 24 V DC Common Anode	
Weight	150 gram per metre	
Material	PVC (for chemical resistance please visit or website www.liniLED.com)	
Degree of protection (IP)	IP20, IP40, IP64, IP68 (see area advice for options)	
Storage temperature	-20 °C .. 55 °C	
Operating temperature	-30 °C .. 55 °C	
Minimal bending radius	30 mm	

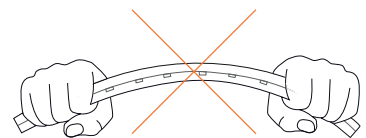
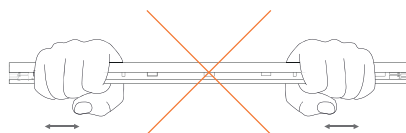
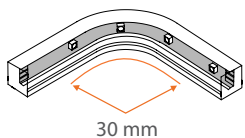
	RGB 160	RGB 240
Red Power (24 V DC)	2.0 W/m	2.7 W/m
Green Power (24 V DC)	2.0 W/m	2.7 W/m
Blue Power (24 V DC)	0.8 W/m	2.0 W/m

¹ Max. connection length between -30 °C and -20 °C is 7 metres (RGB 160) and 3,5 metres (RGB 240).



Bending radius

Maximum bending radius is 30 mm. Solely bend up or downward. Do not compress, stretch or bend the LED strip sideways.



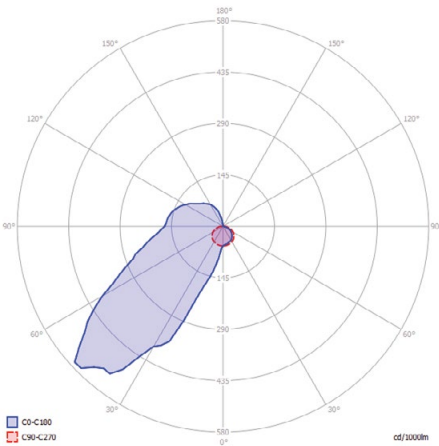
Photometric information

In the process of lighting design and calculations, the luminous flux and beam angle alone are not enough information to create a representative and realistic calculation or render. There is one set of photometric files for a one metre length of LED strip and one for a segment length, that corresponds to the cutting length of each LED strip type. Using the one metre data, quick calculations and long lengths can be simulated with photometric software. The segment data allows very detailed simulations, even curved lines can be approached in high detail.

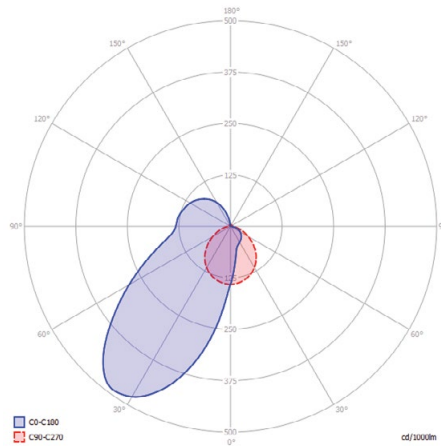
The information on the website is available in two different file formats:

- Eulumdat (*.ldt)
- IES LM-63-1995 (*.ies)

RGB 160



RGB 240



Power consumption

To power the liniLED® LED strips and lighting fixtures, a power supply from the liniLED® Power assortment can be selected. Selection of the correct power supply must be done by taking the total requested power and the environment into account.

The total power consumption can be calculated by summing the requested power of all connected products. To calculate the power consumption of a single length of LED strip, use the equation below. The typical equation is valid if the product is supplied by a 24 V DC constant voltage power supply. If the output voltage of a power supply is increased, the power consumption will increase with the same ratio and needs to be corrected by using the optional part of the equation found between brackets.

$$P_{STRIP} = P_{PRODUCT} \times X_{LENGTH} \times 110\% \left[\times \frac{U_{SUPPLY}}{24} \right]$$

- P_{STRIP}** Calculated power consumption of one LED strip in Watt
- $P_{PRODUCT}$** Typical power consumption in Watt per metre of the selected LED strip
This value can be found under 'Product characteristics' on page 2
- X_{LENGTH}** Length of the connected LED strip in metres
- 110% Safety margin to buffer differences over all production batches

Optional:

- U_{SUPPLY}** Set supply voltage of the power supply in Volt
- 24** Nominal supply voltage of liniLED® in Volt

Maximum cable length RGB 160

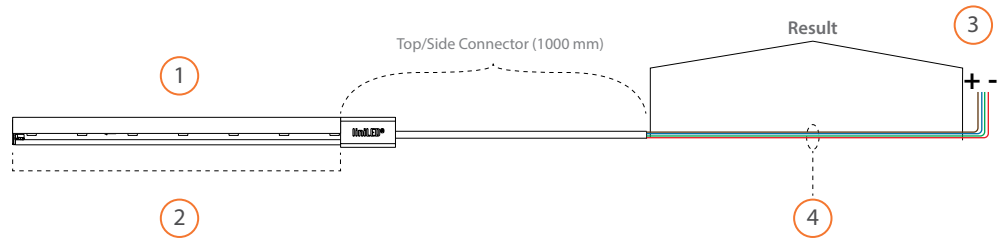
1 = Select colour temperature.

2 = Select LED strip length.

3 = Select output voltage.

4 = Select cable cross section.

Result = Maximum cable length based on the cable thickness and power supply voltage.



1. Colour temperature

RGB 160

2. LED strip length		1 m		2 m		5 m		10 m	
3. Output voltage		24 VDC	25 VDC	24 VDC	25 VDC	24 VDC	25 VDC	24 VDC	25 VDC
4. Cable cross section	0.50 mm ² - 0.035 Ω/m	62.8 m	121.7 m	30.8 m	60.2 m	11.6 m	23.3 m	5.2 m	11.0 m
	0.75 mm ² - 0.023 Ω/m	134.5 m	260.6 m	43.1 m	85.1 m	24.8 m	50.0 m	11.1 m	23.7 m
	1.00 mm ² - 0.018 Ω/m	178.8 m	346.6 m	87.7 m	171.5 m	33.0 m	66.5 m	14.8 m	31.5 m
	1.50 mm ² - 0.012 Ω/m	269.0 m	521.3 m	131.9 m	258.1 m	49.7 m	100.1 m	22.2 m	47.5 m
	2.50 mm ² - 0.007 Ω/m	447.8 m	867.7 m	219.6 m	429.6 m	82.7 m	166.7 m	37.0 m	79.0 m

⚠ **Note:** Calculations are based on a standard connector with 1 metre cable (0.5 mm²).

Maximum cable length RGB 240

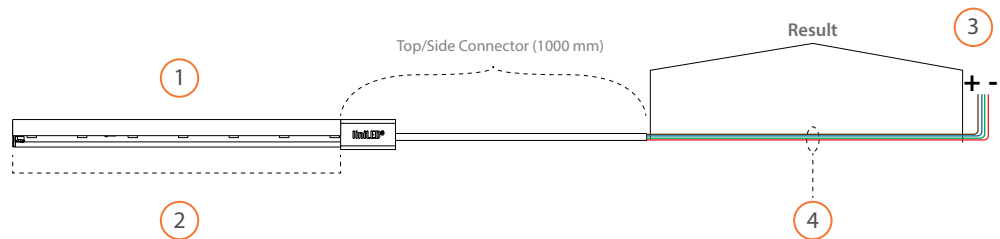
1 = Select colour temperature.

2 = Select LED strip length.

3 = Select output voltage.

4 = Select cable cross section.

Result = Maximum cable length based on the cable thickness and power supply voltage.

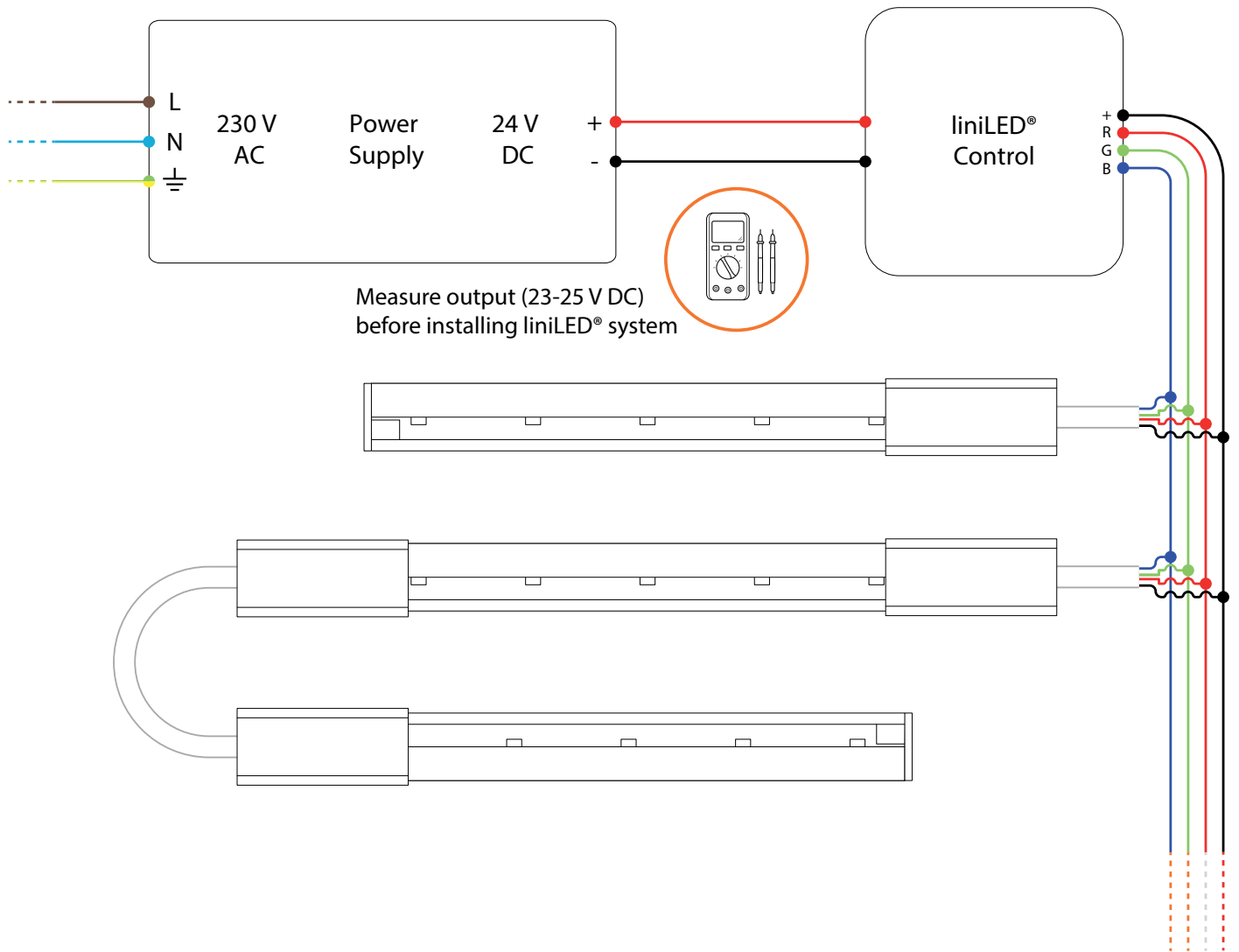


1. Colour temperature

RGB 240

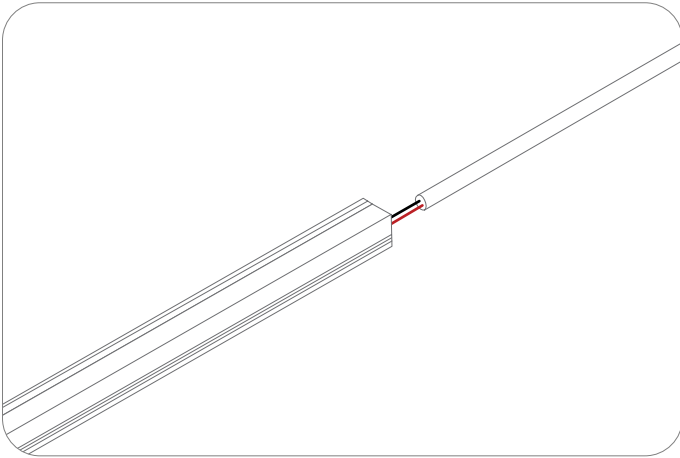
2. LED strip length		1 m		2 m		5 m	
3. Output voltage		24 VDC	25 VDC	24 VDC	25 VDC	24 VDC	25 VDC
4. Cable cross section	0.50 mm ² - 0.035 Ω/m	62.8 m	121.7 m	30.8 m	60.2 m	11.6 m	23.3 m
	0.75 mm ² - 0.023 Ω/m	134.5 m	260.6 m	43.1 m	85.1 m	24.8 m	50.0 m
	1.00 mm ² - 0.018 Ω/m	178.8 m	346.6 m	87.7 m	171.5 m	33.0 m	66.5 m
	1.50 mm ² - 0.012 Ω/m	269.0 m	521.3 m	131.9 m	258.1 m	49.7 m	100.1 m
	2.50 mm ² - 0.007 Ω/m	447.8 m	867.7 m	219.6 m	429.6 m	82.7 m	166.7 m

Power and connection diagram

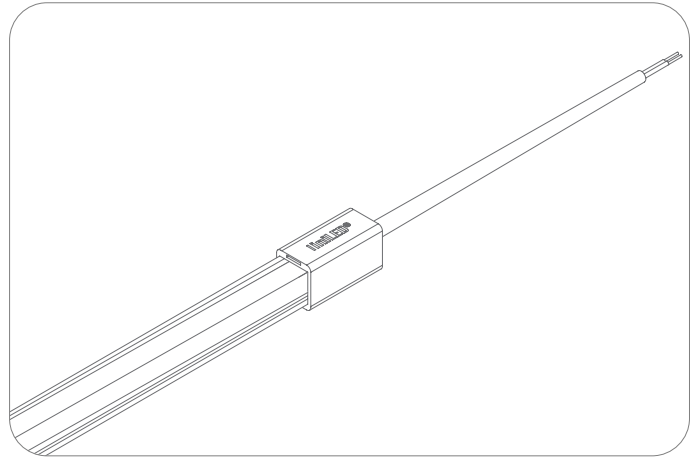


Area advice

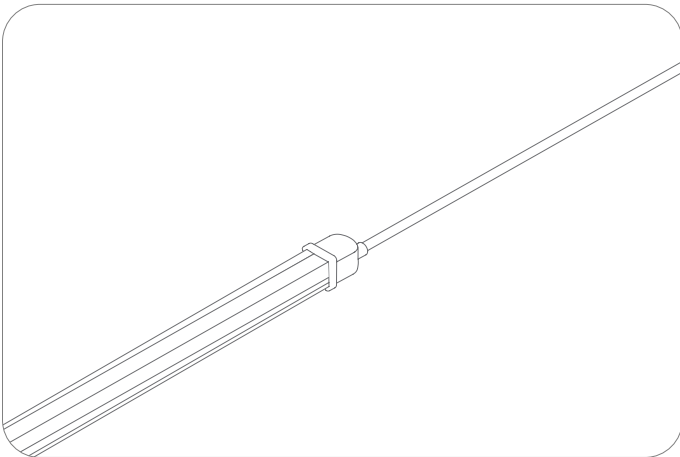
Depending on the installation area of the liniLED® LED strip we offer a range of IP20, IP40, IP64 and IP68 solutions to cope with external factors. Below the different connectors are displayed for use in different environments. See corresponding pages or individual product manual for further instructions.



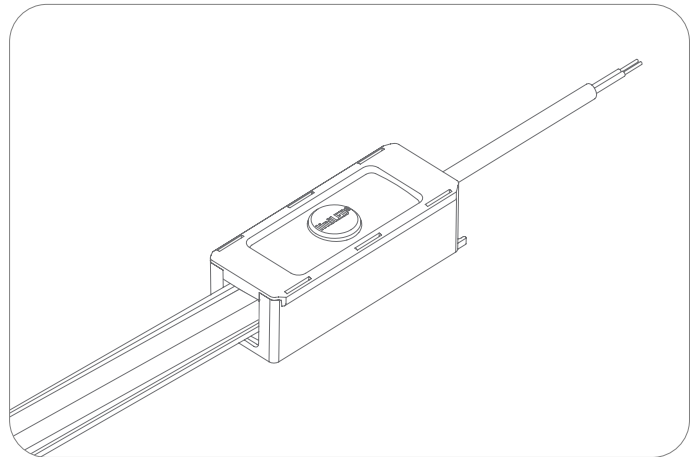
Indoor environment | (IP20)
Solder



Indoor environment | (IP40) | liniLED® Side Connector set.
Product code: 11206 (1 m), 11207 (5 m)



Wet environment | (IP64) | liniLED® Mirror Welded Connector
Product code: TA1005



Wet environment | (IP68) | liniLED® Cast Joint IP68
Product code: 11533

Symbols



Manufacturer's declaration that the product meets the applicable EC directives.



Suitable for mounting on all surfaces and suitable to cover with insulating material.



Restriction of Hazardous Substances (RoHS): product complies with the RoHS directive and each homogeneous material does not exceed the limits for the materials mentioned under the RoHS directive (Pb, Hg, Cd, Cr6+, PBB and PBDE).



This product can be IP20, IP40, IP64 and IP68 depending on the configuration and application. See the documentation for the exact IP rating.



Protected against impact energy of 5 joules.



Bending of the LED strip is possible with a radius of ≥ 30 millimetres in the specified direction.



Operating voltage of 24 V DC.



Electrical appliance class III: this product is designed to be supplied from an extra-low voltage (≤ 60.0 V DC or ≤ 42.4 V AC).



Product is resistant against ultraviolet (UV) light or sunlight. Non-UV resistant products can degrade or discolour fast when exposed to UV light.



Product can be cleaned with normal cleaning agents.



This product can be stored and used below 0 degrees Celsius. Verify the minimum storage and operating temperature in the datasheet or manual for the lowest temperature allowed.



This product can be applied in seawater and its environment. Elements in seawater will have no harmful effect on the product. For chemical specifications of these elements see the liniLED® material sheet. Verify the IP rating for proper use.



This product can be applied inside swimming pool environments. Elements in the air will have no harmful effect on the product. For chemical specifications of these elements see the liniLED® material sheet. Verify IP rating for proper use.



This product is available on request and can be applied submerged in swimming pools and their environment. Disinfectants will have no harmful effect on the product. For chemical specifications of these elements see the liniLED® material sheet. Verify IP rating for proper use.



The CRI value of this product is 80 or higher.



This product needs to be disposed of separately from normal household waste so it can be recycled. Verify the IP rating for proper use.



System guarantee of 5 years when the complete system consist of liniLED® products with the 5 years system warranty logo. Terms & conditions apply.

Disclaimer

The published information is checked to be as accurate as possible, however Triolight B.V. or any reseller of liniLED® cannot be held liable for any damages resulting from misprints, errors, modifications or outdated information. No legal rights can be derived from this document. Triolight B.V. reserves the right to modify the information without informing the customers. Please check for the latest version on www.liniLED.com. This product should not be used in applications, devices or systems where incorrect operation of the product may result in personal injury (includes emergency lighting) without written permission from the board of Triolight B.V. If nevertheless used in such applications, devices or systems, Triolight B.V. cannot be held liable for any resulting injury. liniLED® is a registered trademark of Triolight B.V.