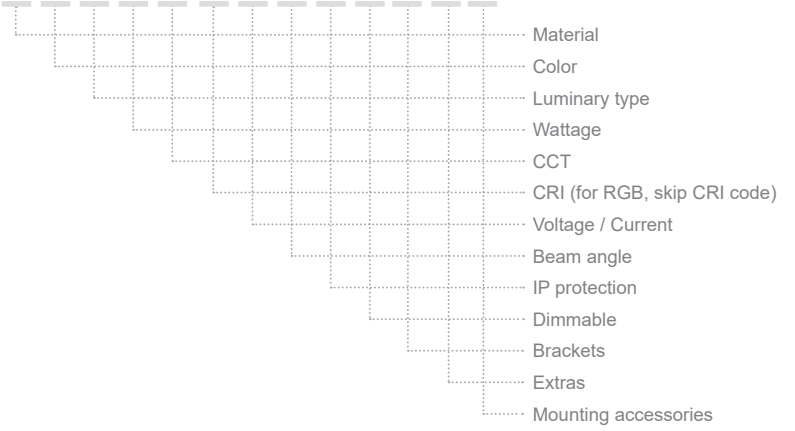


## ΠΕΡΙΕΧΟΜΕΝΑ / CONTENTS

Datasheet	1
Manual	4

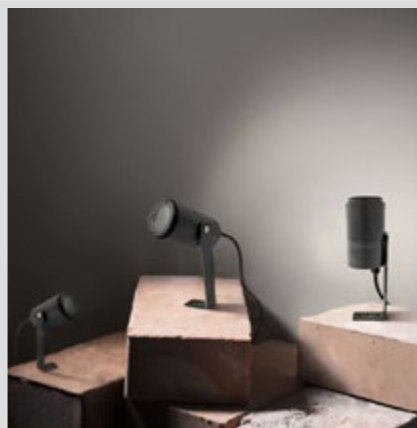
SKU: **GENAR60-** XX-XX-XX-XX-XX-XX-XX-XX-XX-XX-XX-XX-XX



## GENA 1 R60 (GENAR60-) / Datasheet



### GENERAL INFORMATION



APPLICATION	Outdoor / Surface mounted
DIRECTION OF MOUNTING	Ceiling / Wall / Ground
INCL. CABLE	Yes
LED TYPE	XTE/XRE/XPE/NICHIA/GU10
LIFE TIME	50000 hours
WARRANTY	3-5 years (*5 years upon request)
ORIGIN	Greece
VISIBLE DIMENSIONS (Ø×L)	Ø60 × 80 mm

# GENA 1 R60 / Datasheet

SKU: GENAR60- XX-XX-XX-XX-XX-XX-XX-XX-XX-XX-XX-XX-XX

MATERIAL  
COLOR  
LUMINARY TYPE  
WATTAGE  
CCT  
CRI (skip for RGB)  
VOLTAGE  
BEAM ANGLE  
IP PROTECTION  
DIMMABLE  
BRACKETS  
EXTRAS  
MOUNTING ACCESSORIES

Material	Color	Luminary type	WATTAGE		
Aluminium (01)	Anodised (AN)	GU10 (230VAC) (GU1) *	3W (3W)	6W (6W)	9W (9W)
Inox (02)	Black (BL)	GU5.3 (12AC/DC) (GU5) *	4W (4W)	7W (7W)	10W (10W)
Brass (03)	White (WH)	LED (1L)	5W (5W)	8W (8W)	15W (15W)
	RAL colors (RL)		* Wattage, CCT, CRI, Voltage, Beam angle and Dimmable options are not available for GU10 and GU5.3		
	Patina (PT)		Please find the remaining options below, in the section that corresponds on your selection of wattage.		








W	CCT						CRI		Voltage						Beam angle										
3W	2700K (27K)	3000K (30K)	4000K (40K)	5000K (50K)	6000K (60K)	(R) / (G) / (B) / (A)	RGB (C1)		Ra80 (80)	Ra90 (90)	12VDC (V1)	24VDC (V2)		12/24V (V4)	350mA (V5)	500mA (V6)	Diffuse (DF)	3° (3D)	8° (8D)	15° (15D)	20° (20D)	35° (35D)	45° (45D)	60° (60D)	80° (80D)
	2700K (27K)	3000K (30K)	4000K (40K)	5000K (50K)	6000K (60K)	(R) / (G) / (B) / (A)			Ra80 (80)	Ra90 (90)			230VAC (V3)				Diffuse (DF)				20° (20D)		45° (45D)		
4W	2700K (27K)	3000K (30K)	4000K (40K)	5000K (50K)	6000K (60K)	(R) / (G) / (B) / (A)			Ra80 (80)	Ra90 (90)	12VDC (V1)	24VDC (V2)		12/24V (V4)	350mA (V5)	500mA (V6)	Diffuse (DF)		8° (8D)	15° (15D)	20° (20D)	35° (35D)	45° (45D)	60° (60D)	80° (80D)
	2700K (27K)	3000K (30K)	4000K (40K)	5000K (50K)	6000K (60K)	(R) / (G) / (B) / (A)			Ra80 (80)	Ra90 (90)			230VAC (V3)				Diffuse (DF)				20° (20D)		45° (45D)		
5W	2700K (27K)	3000K (30K)	4000K (40K)	5000K (50K)	6000K (60K)	(R) / (G) / (B) / (A)			Ra80 (80)	Ra90 (90)	12VDC (V1)	24VDC (V2)		12/24V (V4)	350mA (V5)	500mA (V6)	Diffuse (DF)	3° (3D)	8° (8D)	15° (15D)	20° (20D)	35° (35D)	45° (45D)	60° (60D)	80° (80D)
	2700K (27K)	3000K (30K)	4000K (40K)	5000K (50K)	6000K (60K)	(R) / (G) / (B) / (A)	RGB (C1)		Ra80 (80)	Ra90 (90)	12VDC (V1)	24VDC (V2)		12/24V (V4)	350mA (V5)	500mA (V6)	Diffuse (DF)		8° (8D)	15° (15D)	20° (20D)	35° (35D)	45° (45D)	60° (60D)	80° (80D)
6W	2700K (27K)	3000K (30K)	4000K (40K)	5000K (50K)	6000K (60K)	(R) / (G) / (B) / (A)	RGB (C1)		Ra80 (80)	Ra90 (90)	12VDC (V1)	24VDC (V2)		12/24V (V4)	350mA (V5)	500mA (V6)	Diffuse (DF)		8° (8D)	15° (15D)	20° (20D)	35° (35D)	45° (45D)	60° (60D)	80° (80D)
	2700K (27K)	3000K (30K)	4000K (40K)	5000K (50K)	6000K (60K)	(R) / (G) / (B) / (A)			Ra80 (80)	Ra90 (90)			230VAC (V3)				Diffuse (DF)				20° (20D)		45° (45D)		
7W	2700K (27K)	3000K (30K)	4000K (40K)	5000K (50K)	6000K (60K)	(R) / (G) / (B) / (A)	RGB (C1)		Ra80 (80)	Ra90 (90)	12VDC (V1)	24VDC (V2)		12/24V (V4)	350mA (V5)	500mA (V6)	Diffuse (DF)		8° (8D)	15° (15D)	20° (20D)	35° (35D)	45° (45D)	60° (60D)	80° (80D)
	2700K (27K)	3000K (30K)	4000K (40K)	5000K (50K)	6000K (60K)				Ra80 (80)	Ra90 (90)			230VAC (V3)				Diffuse (DF)				20° (20D)		45° (45D)		
8W	2700K (27K)	3000K (30K)	4000K (40K)	5000K (50K)	6000K (60K)	(R) / (G) / (B) / (A)	RGBW (C2)		Ra80 (80)	Ra90 (90)		24VDC (V2)			350mA (V5)	500mA (V6)	Diffuse (DF)					35° (35D)			
	2700K (27K)	3000K (30K)	4000K (40K)	5000K (50K)	6000K (60K)				Ra80 (80)	Ra90 (90)			230VAC (V3)				Diffuse (DF)				20° (20D)		45° (45D)		
9W	2700K (27K)	3000K (30K)	4000K (40K)	5000K (50K)	6000K (60K)	(R) / (G) / (B) / (A)	RGBW (C2)		Ra80 (80)	Ra90 (90)	12VDC (V1)	24VDC (V2)		12/24V (V4)	350mA (V5)	500mA (V6)	Diffuse (DF)				20° (20D)		45° (45D)		
	2700K (27K)	3000K (30K)	4000K (40K)	5000K (50K)	6000K (60K)				Ra80 (80)	Ra90 (90)			230VAC (V3)				Diffuse (DF)				20° (20D)		45° (45D)		
10W	2700K (27K)	3000K (30K)	4000K (40K)	5000K (50K)	6000K (60K)	(R) / (G) / (B) / (A)	RGBW (C2)		Ra80 (80)	Ra90 (90)		24VDC (V2)			350mA (V5)	500mA (V6)	Diffuse (DF)					35° (35D)			
	2700K (27K)	3000K (30K)	4000K (40K)	5000K (50K)	6000K (60K)				Ra80 (80)	Ra90 (90)			230VAC (V3)				Diffuse (DF)				20° (20D)		45° (45D)		
15W	2700K (27K)	3000K (30K)	4000K (40K)	5000K (50K)	6000K (60K)				Ra80 (80)	Ra90 (90)			230VAC (V3)				Diffuse (DF)				20° (20D)		45° (45D)		

# GENA 1 R60 / Datasheet

SKU: **GENAR60** - XX-XX-XX-XX-XX-XX-XX-XX-XX-XX-XX-XX

MATERIAL  
 COLOR  
 LUMINARY TYPE  
 WATTAGE  
 CCT  
 CRI (skip for RGB)  
 VOLTAGE  
 BEAM ANGLE  
 IP PROTECTION  
 DIMMABLE  
 BRACKETS  
 EXTRAS  
 MOUNTING ACCESSORIES

## EXTRAS OPTIONS:

IP protection	Voltage / Current	Brackets	Extras	Mounting accessories
IP65 <b>(65)</b>	Dim <b>(D)</b>	Bracket L <b>(B1)</b> 	Shadow <b>(SH)</b> 	Pole Φ10×200mm Brass <b>(PL1)</b> 
IP67 <b>(67)</b>	No Dim <b>(_)</b>	Bracket Π <b>(B2)</b> 	Honeycomb <b>(HC)</b> 	Pole Φ10×600mm Brass <b>(PL2)</b> 
			none <b>(_)</b>	Spike D32×150mm Aluminium <b>(SP)</b> 
				none <b>(_)</b>

Δημιουργία Κωδικού προϊόντος / Product Code generator

**GENAR60**- material - color - luminary type - wattage - CCT - CRI - voltage - beam angle - IP - dimmable - brackets - extras - mounting accessories

EXAMPLE:

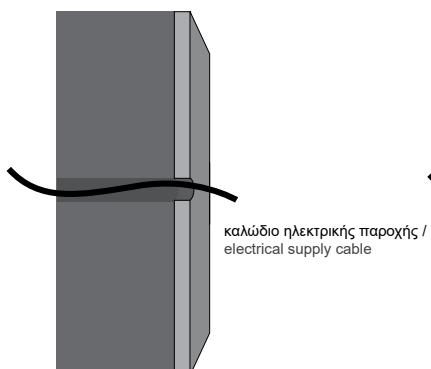
**GENAR60** - 01-BL-1L-3W-27K-90-V1-15D-65-D-SH-HC -PL1

for Gena 1 R60, aluminium, black, 3W, 2700K, Ra90, 12VDC, 15o, IP65, dimmable, Bracket L, shadow and honeycomb - Pole Φ10x200mm Brass)

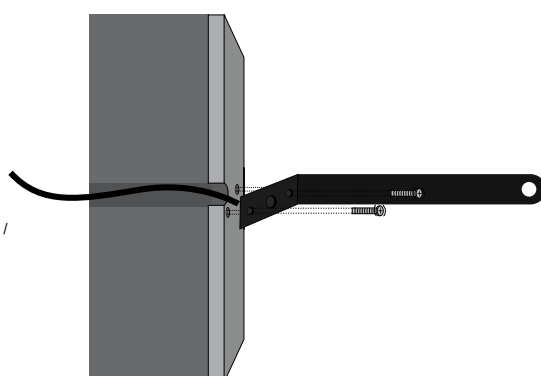


## GENA 1 R60 / Manual

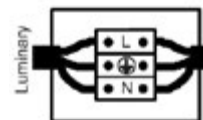
1.



2.

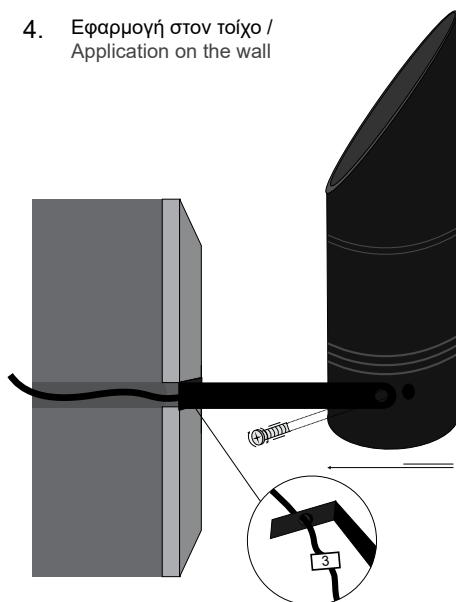


3.

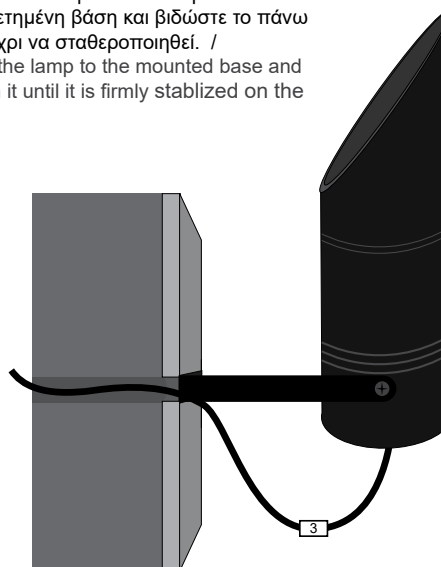


Συνδέστε το καλώδιο του φωτιστικού με την ηλεκτρική παροχή. / Connect the cable of the luminaire with the electrical supply.

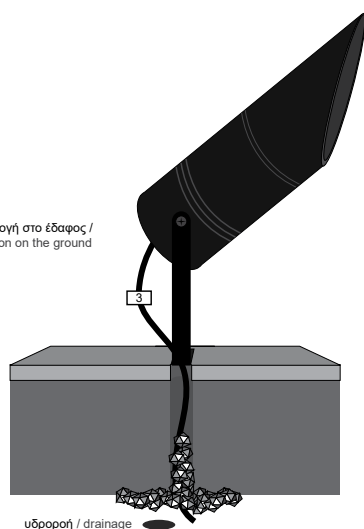
4. Εφαρμογή στον τοίχο / Application on the wall



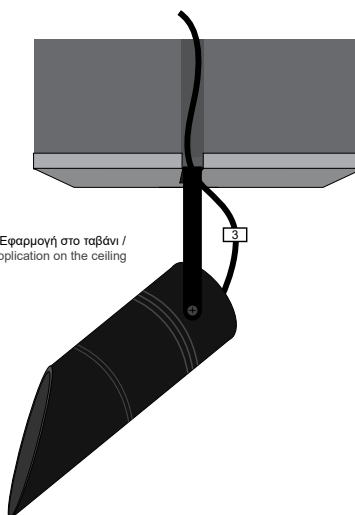
5. Εφαρμόστε το φωτιστικό στην τοποθετημένη βάση και βιδώστε το πάνω της μέχρι να σταθεροποιηθεί. / Apply the lamp to the mounted base and tighten it until it is firmly stabilized on the base.



1. Εφαρμογή στο έδαφος / Application on the ground

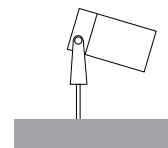


2. Εφαρμογή στο ταβάνι / Application on the ceiling



Ø10

200



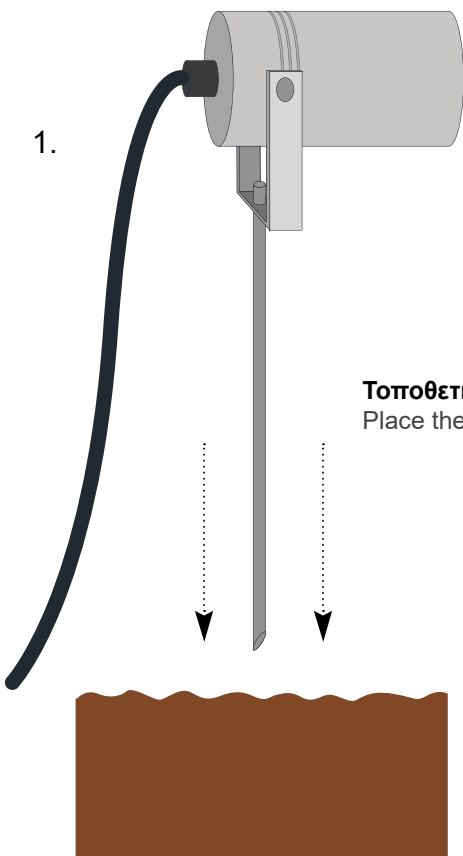
Πάσσαλος Φ10 L200 M5 Brass

Επιλέγοντας τον Πάσσαλο Φ10 L200 M5 Brass, μπορείτε να μετατρέψετε τα σποτ σας σε κολωνάκια κήπου, τοποθετώντας τα στο έδαφος. By choosing Pole Φ10 L200 M5 Brass, you can transform your spots into bollards, placing them in the ground.

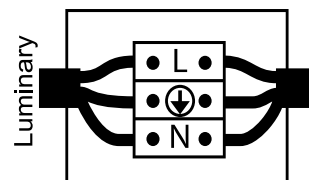
## GENA 1 R60 / Manual

### Εφαρμογή με πάσσαλο

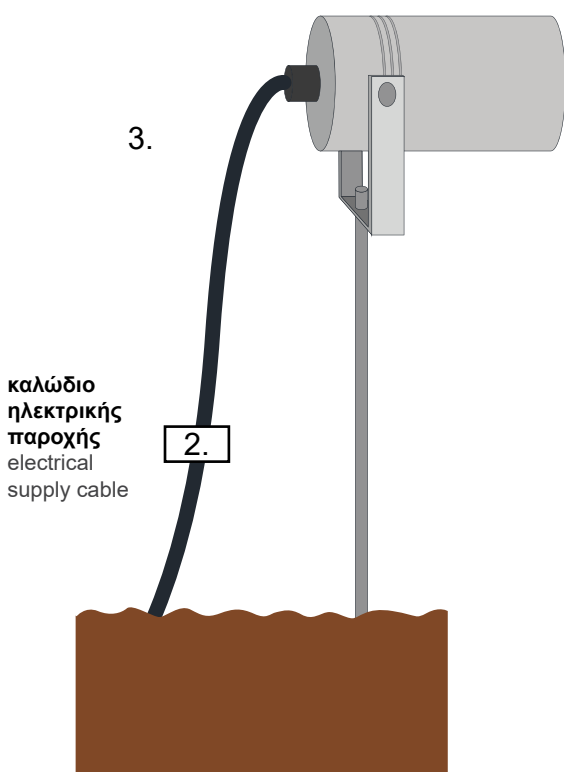
Application with pole



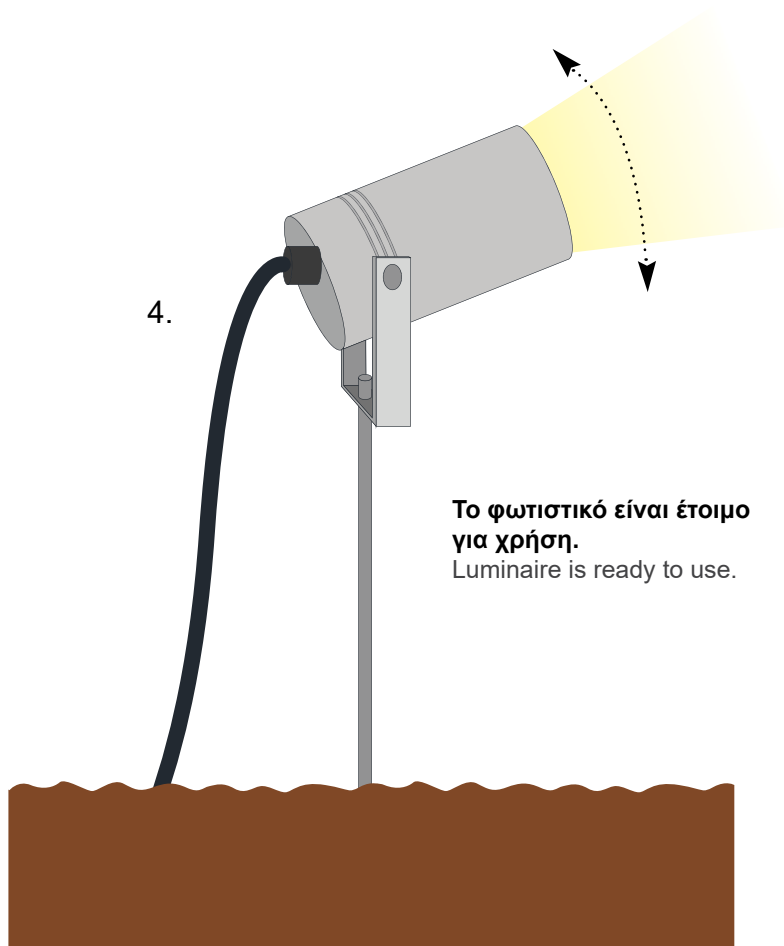
**Τοποθετήστε το φωτιστικό στο έδαφος.**  
Place the luminaire on the ground.



2.  
**Συνδέστε το καλώδιο του φωτιστικού με την ηλεκτρική παροχή.**  
**Η σύνδεση πρέπει να είναι στεγανή.**  
Connect the cable of the luminaire with the electrical supply.  
The connection must be sealed.



4.



**Το φωτιστικό είναι έτοιμο για χρήση.**  
Luminaire is ready to use.

Η εγκατάσταση του προϊόντος πρέπει να γίνεται από αδειούχο ηλεκτρολόγο εγκαταστάτη. / The product must be installed by a licensed electrical installer.