

# HEMIPHERE BELT D200

## 15W DIFFUSE RA90

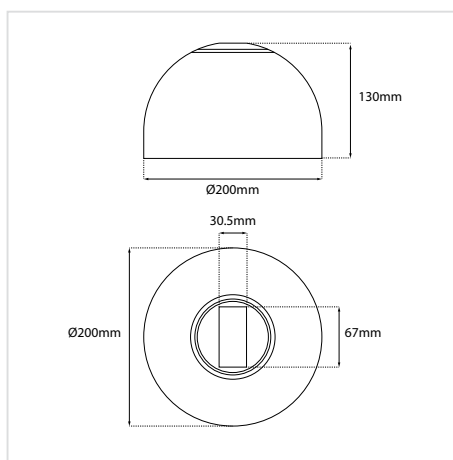


SKU: ■ Red: Ε4010103-160, ■ Black: Ε4010103-231, ■ Beige: Ε4010103-232

### ΠΕΡΙΕΧΟΜΕΝΑ / CONTENTS

DATASHEET .....	1
MANUAL .....	2
BELT TRACK LIGHTS .....	5

## DATASHEET



### GENERAL INFORMATION

APPLICATION	Indoor / For Belt Track
MATERIAL	Aluminium
VISIBLE DIMENSIONS (Ø×H)	Ø200 × 130 mm
COLOR	Red / Black / Beige
NET WEIGHT	0.75kg
IP CLASSIFICATION	IP20
LIFE TIME	50000 hours
WARRANTY	3 years
ORIGIN	PRC

# HEMIPHERE BELT D200

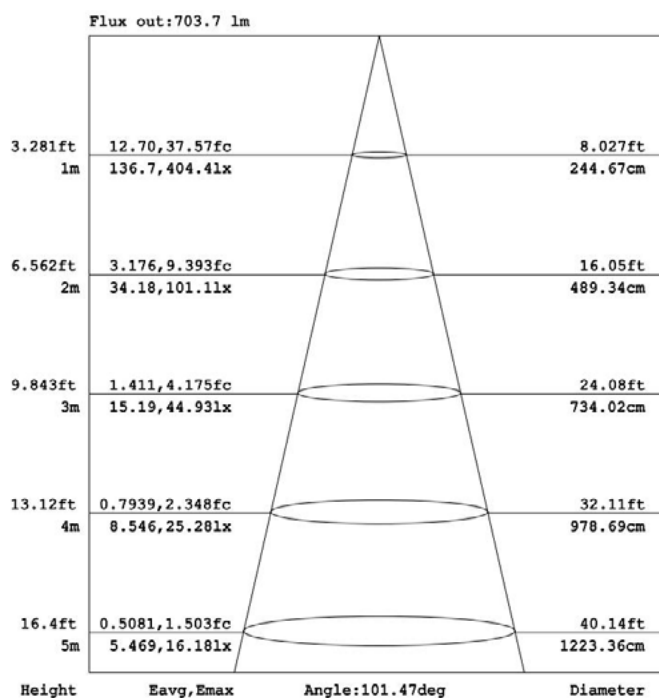
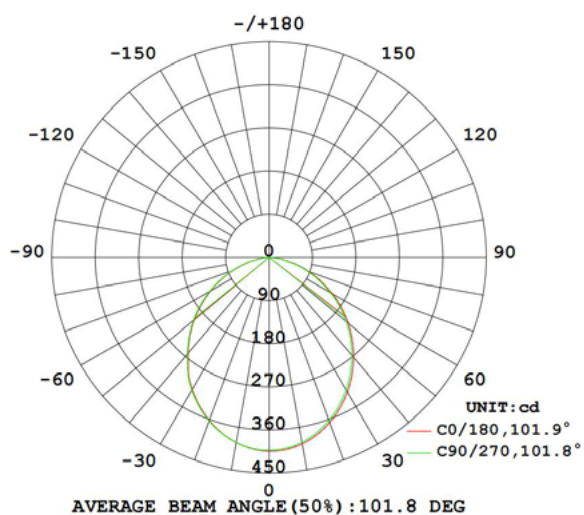
## 15W DIFFUSE RA90

### ILLUMINANT

LED TYPE	Cree
WATTAGE	15W
CCT	3000K
CRI	Ra>90
BEAM ANGLE	Diffuse
OUTPUT	1005lm
DIMMABLE	Triac,0/1-10V, Dali

### LIGHT DISTRIBUTION

LUMINOUS INTENSITY DISTRIBUTION DIAGRAM



# HEMISPHERE BELT D200

## 15W DIFFUSE RA90

# MANUAL

### ΟΔΗΓΙΕΣ ΕΓΚΑΤΑΣΤΑΣΗΣ ΓΙΑ ΤΑ LUNA 200 / LUNA 300 / HEMISPHERE / CONE

### INSTALLATION INSTRUCTIONS FOR LUNA 200 / LUNA 300 / HEMISPHERE / CONE

#### ΣΗΜΑΝΤΙΚΟ:

Αυτό το εξάρτημα πρέπει να εγκατασταθεί από εξειδικευμένο ηλεκτρολόγο.

Η BarisLight δεν φέρει ευθύνη για τυχόν ζητήματα που προκύπτουν από ακατάλληλη εγκατάσταση που δεν συμμορφώνεται με τα τοπικά πρότυπα ασφαλείας.

Παρακαλούμε δώστε ένα αντίγραφο αυτών των οδηγιών στο άτομο που είναι υπεύθυνο για τη συντήρηση της εγκατάστασης.

#### IMPORTANT:

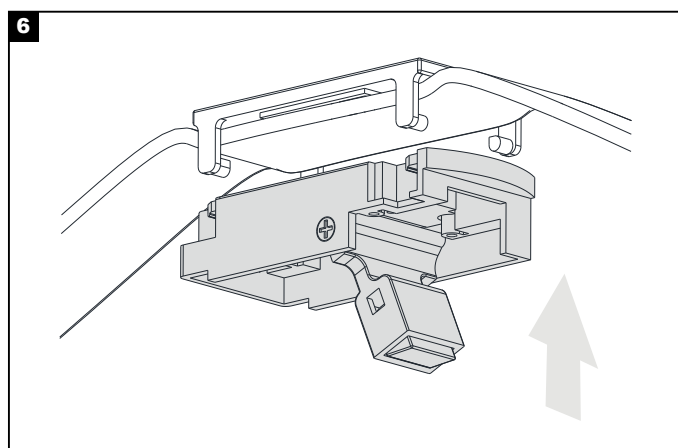
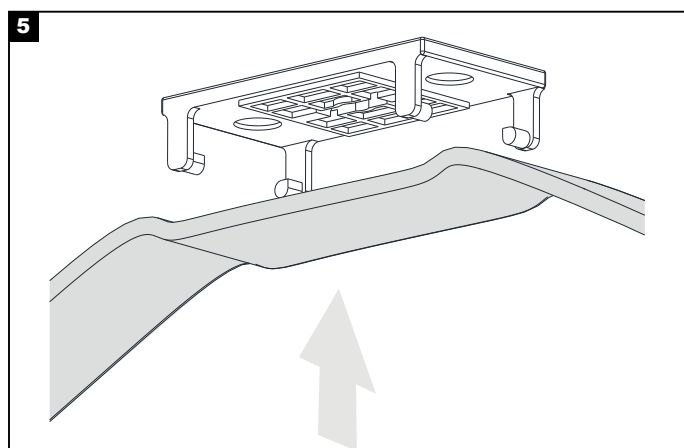
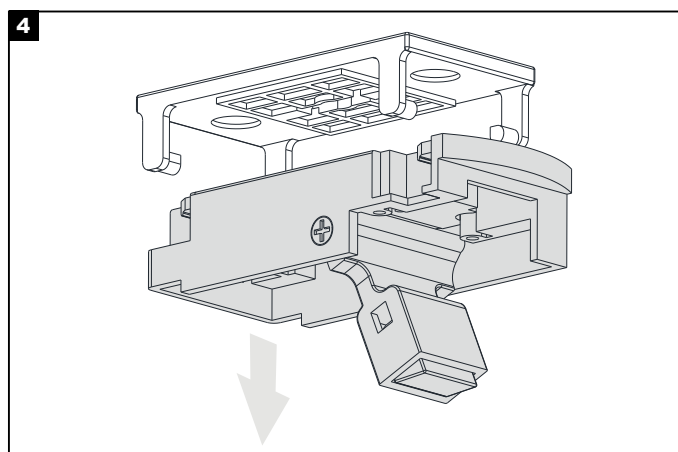
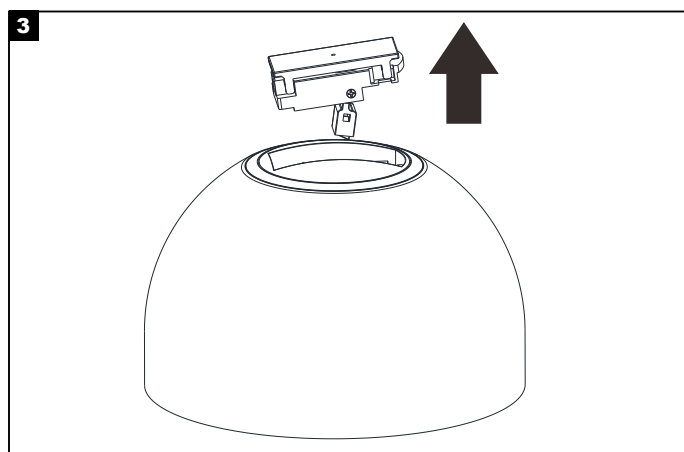
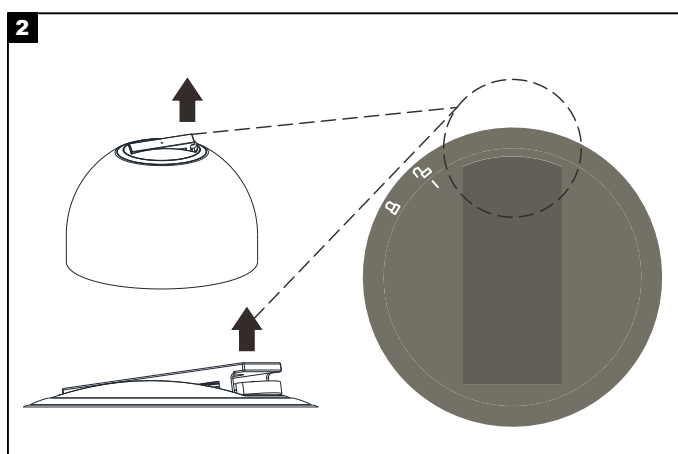
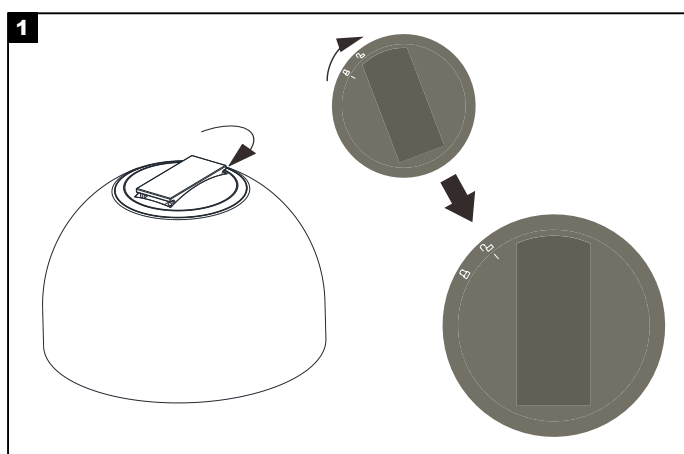
This luminaire must be installed by a qualified electrician.

#### Disclaimer:

BarisLight is not liable for any issues arising from improper installation that does not comply with local safety standards.

#### Instructions:

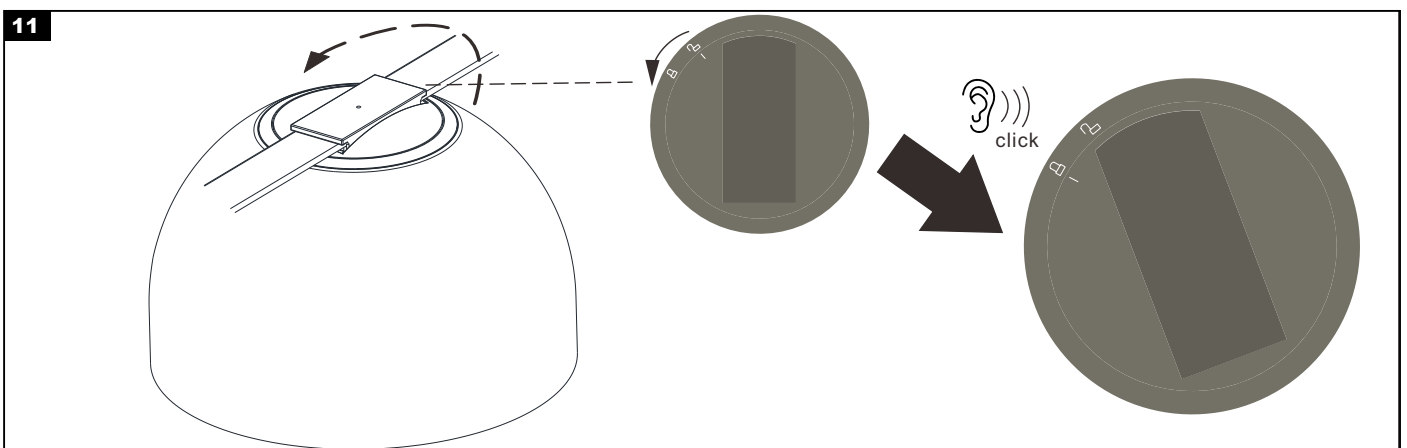
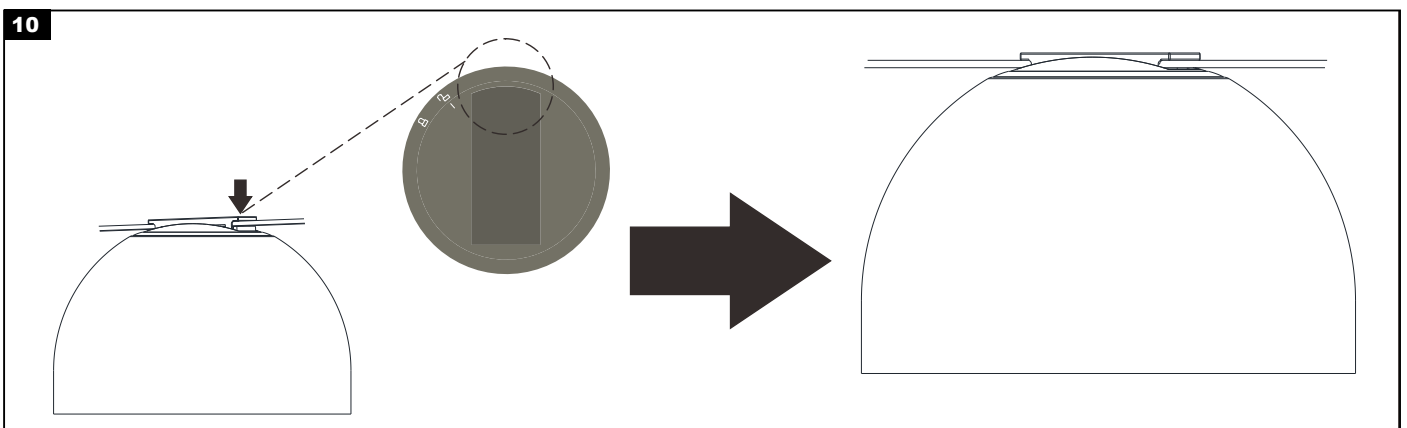
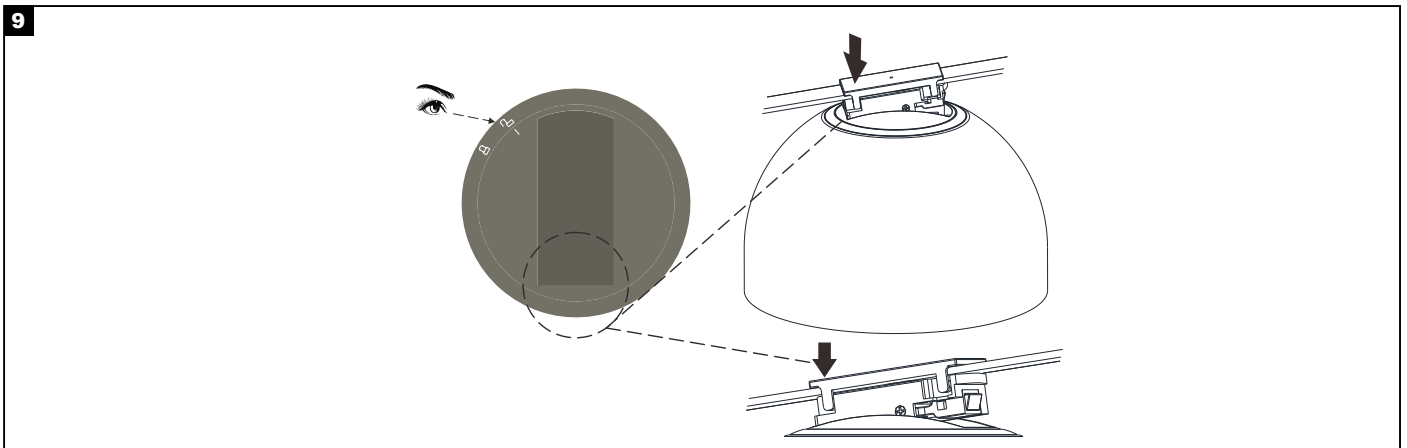
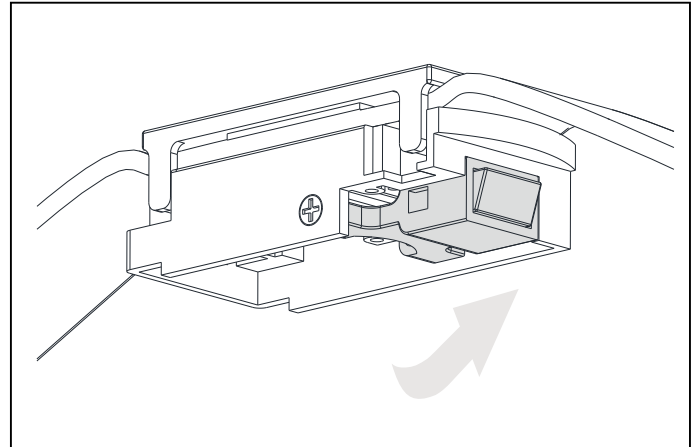
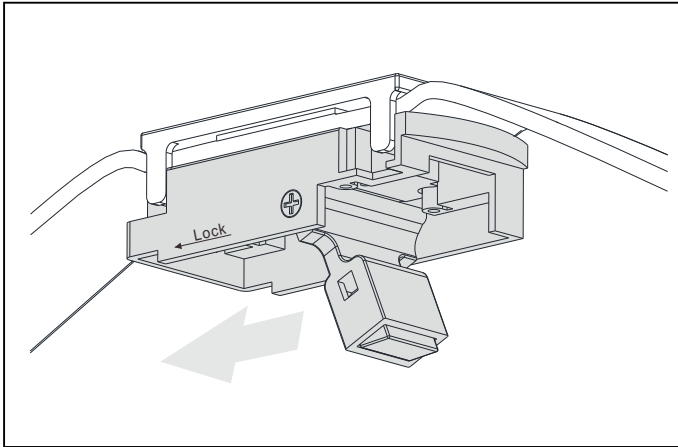
Please provide a copy of these instructions to the person responsible for maintaining the installation.



Η εγκατάσταση του προϊόντος πρέπει να γίνεται από αδειούχο ηλεκτρολόγο εγκαταστάτη. The product must be installed by a licensed electrical installer.

**HEMIPHERE BELT D200**  
15W DIFFUSE RA90

MANUAL

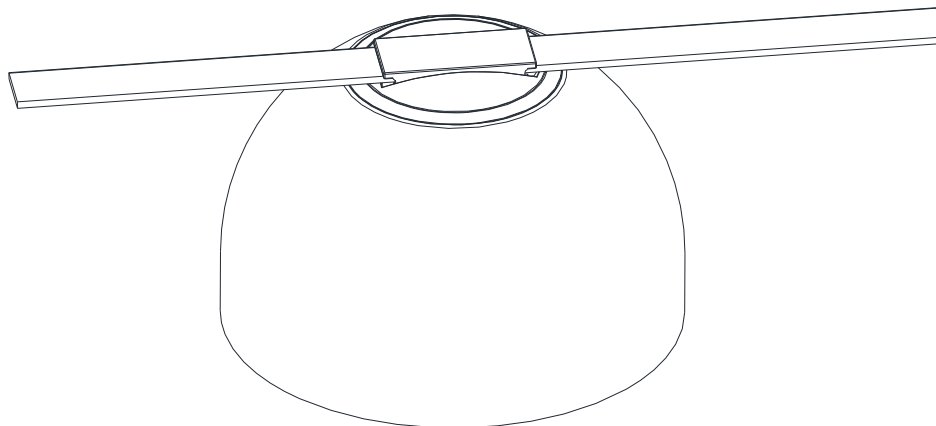


Η εγκατάσταση του προϊόντος πρέπει να γίνεται από αδειούχο ηλεκτρολόγο εγκαταστάτη. The product must be installed by a licensed electrical installer.

**HEMIPHERE BELT D200**  
15W DIFFUSE RA90

MANUAL





12









# HEMIPHERE BELT D200

## 15W DIFFUSE RA90

### BELT TRACK LIGHTS



BELT TRACKS				
	<b>BELT TRACK 4 WIRE</b>	<b>BELT TRACK 4 WIRE</b>	<b>BELT TRACK 4 WIRE</b>	<b>BELT TRACK 4 WIRE</b>
	■ Red: E4010103-155	■ Black: E4010103-156	■ Beige: E4010103-224	■ Green: E4010103-157

LUMINAIRES				
	<b>LINE BELT</b>	<b>LUNA BELT D200</b>	<b>LUNA BELT D300</b>	<b>HEMIPHERE BELT D200</b>
	<b>30W Diffused 3000K RA90 24V</b>	<b>12W Opal 30K RA90</b>	<b>20W Opal 30K</b>	<b>15W Diffused RA90</b>
	■ Red: E4010103-158	■ Red: E4010103-159	■ Red: E4010103-225	■ Red: E4010103-160
	■ Black: E4010103-227	■ Black: E4010103-229		■ Black: E4010103-231
	■ Beige: E4010103-228	■ Beige: E4010103-230		■ Beige: E4010103-232
				
<b>FOCUS BELT D100</b>	<b>CONE BELT D600</b>			
<b>12W Opal 30K</b>	<b>20W 30K Diffused RA90</b>			
■ Red: E4010103-226	■ Red: E4010103-161			
■ Black: E4010103-233				
■ Beige: E4010103-234				

# HEMIPHERE BELT D200

## 15W DIFFUSE RA90

### BELT TRACK LIGHTS

ELECTRICAL CONNECTION	 <p><b>Surface Driver Box D250 for Belt Track</b>          ■ Red: E4010103-254          ■ Black: E4010103-235          ■ Green: E4010103-255</p>	 <p><b>Recessed Power Feed D110 for Belt Track</b>          ■ Red: E4010103-223          ■ Black: E4010103-236          ■ Green: E4010103-237</p>	 <p><b>Surface Power Feed D80 for Belt Track</b>          ■ Red: E4010103-238          ■ Black: E4010103-239          ■ Green: E4010103-240</p>	 <p><b>Remote Power Feed Surface for Belt Track</b>          ■ Black: E4010103-235</p>
	 <p><b>Surface Mounted Kit for Belt Track</b>          ■ Red: E4010103-242          ■ Black: E4010103-163          ■ Green: E4010103-243</p>	 <p><b>Surface Fasten Anchor for Belt Track</b>          ■ Red: E4010103-244          ■ Black: E4010103-245          ■ Green: E4010103-246</p>	 <p><b>Surface Counter Weight for Belt Track</b>          ■ Red: E4010103-247          ■ Black: E4010103-248          ■ Green: E4010103-249</p>	 <p><b>Surface Cable End Cap for Belt Track</b>          ■ Black: E4010103-250</p>
	 <p><b>Surface Double Cable End Cap for Belt Track</b>          ■ Black: E4010103-251</p>	 <p><b>Pendant Cable End Cap for Belt Track</b>          ■ Black: E4010103-252</p>		
	INSTALLATION			