

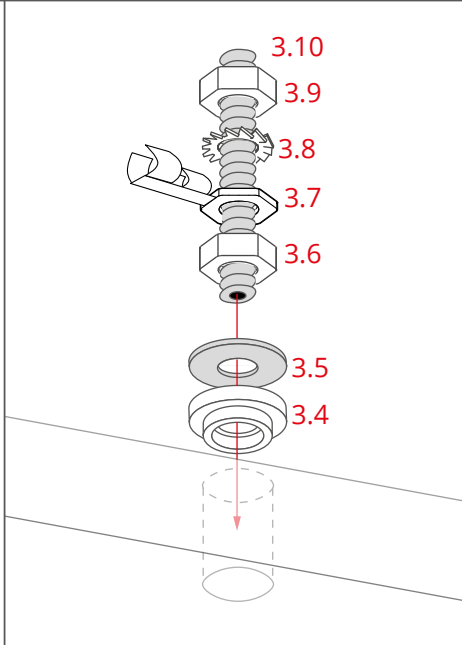
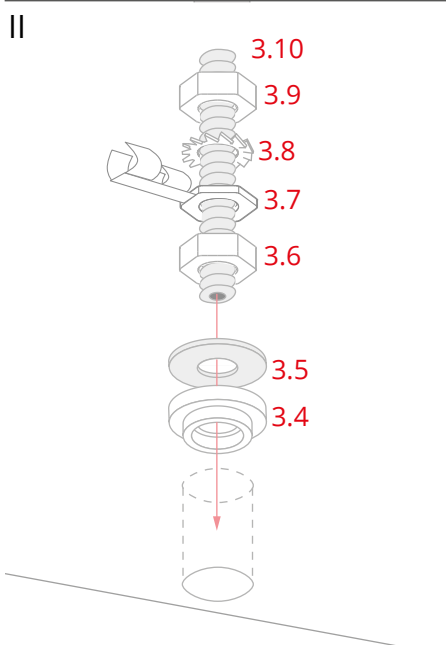
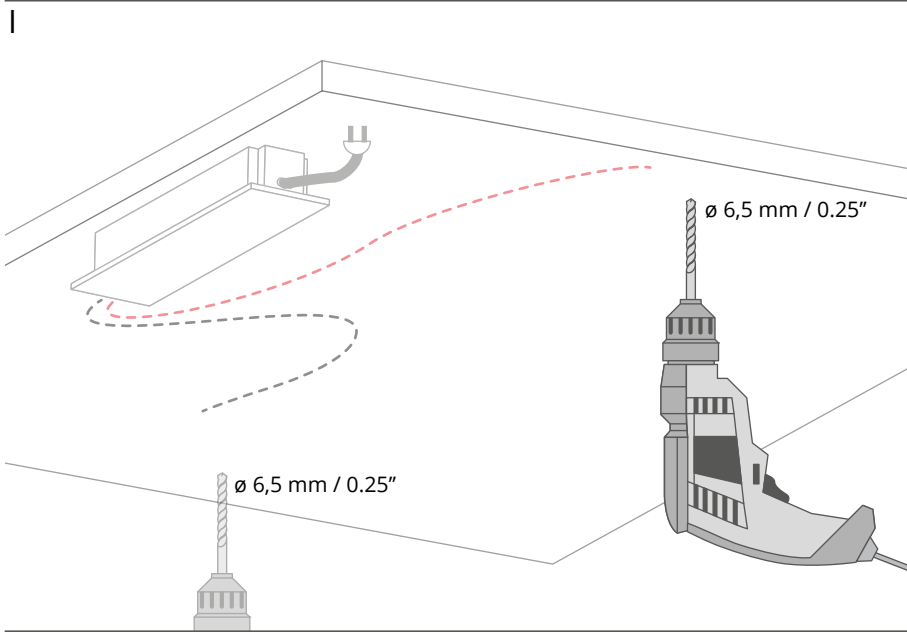
- 1. Lighting fixture
- 2. Steel cable with a conductive core\*
- 3.1 Fastener body
- 3.2 Pressure screw
- 3.3 Pad (item 3.3)
- 3.4 Pad (item 3.4)
- 3.5 Pad (item 3.5)
- 3.6 Nut (item 3.6)
- 3.7 Connector
- 3.8 Locking washer
- 3.9 Nut (item 3.9)
- 3.10 Threaded sleeve
- 4 Power supply (12 V / 24 V)\*

FI-8-LIN-Z silver (ref. 42288), black (ref. 42288L9005), white (ref. 42285L9010)

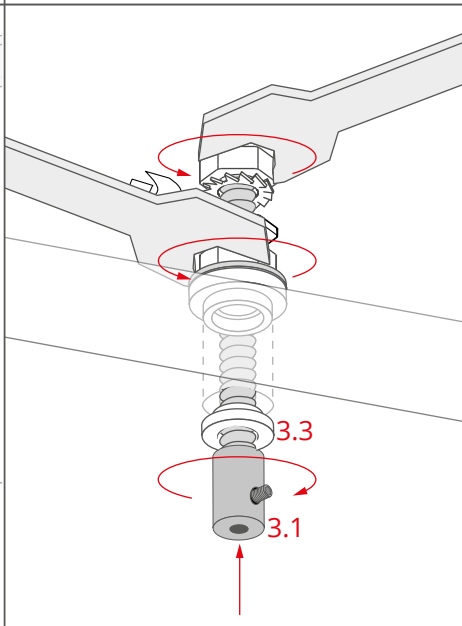
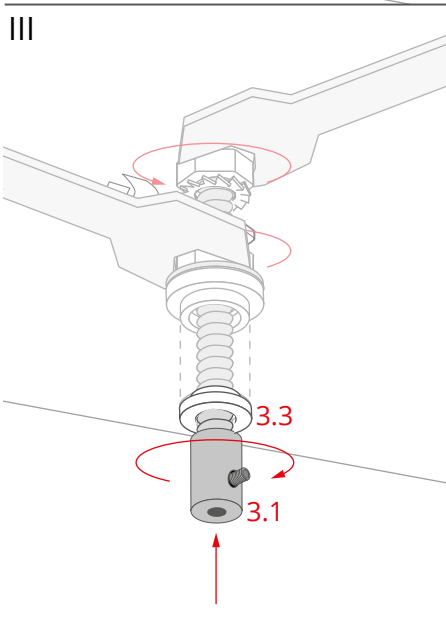
\*The full range of accessories and electronics is available at [www.KlusDesign.eu](http://www.KlusDesign.eu)

**NOTE!** All LED tapes must be connected to a 12 V or 24 V power supply.

**IMPORTANT:** Not all possible mounting procedures are presented here. More mounting procedures and related accessories can be found at [www.KlusDesign.eu](http://www.KlusDesign.eu). Drawings of extrusions and accessories in these instructions are simplified and only approximate the actual shapes.

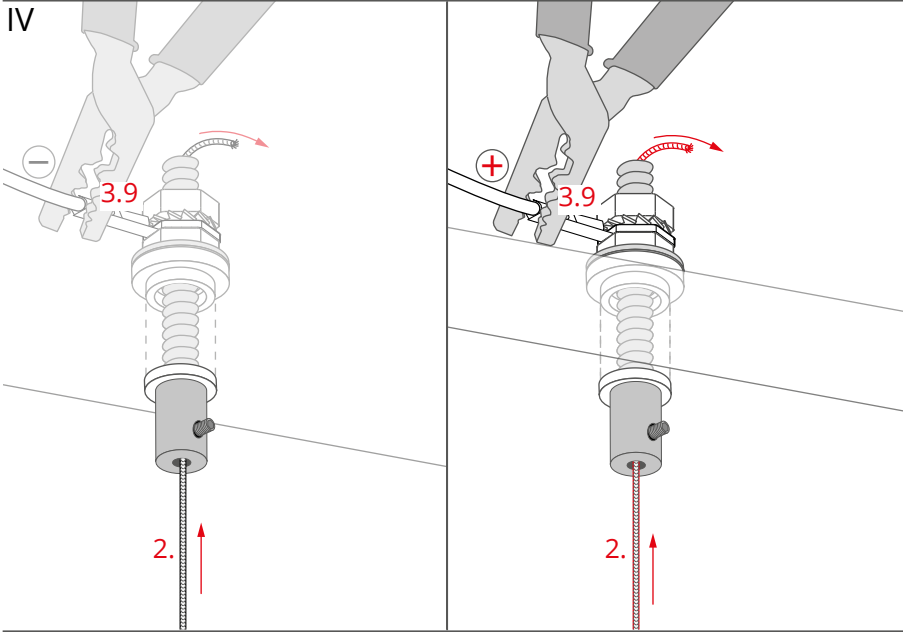


Put pads (3.4, 3.5) into the holes from the top and insert the threaded sleeves (3.10) with nuts (3.6), connectors (3.7), locking washers (3.8) and nuts (3.9) mounted.



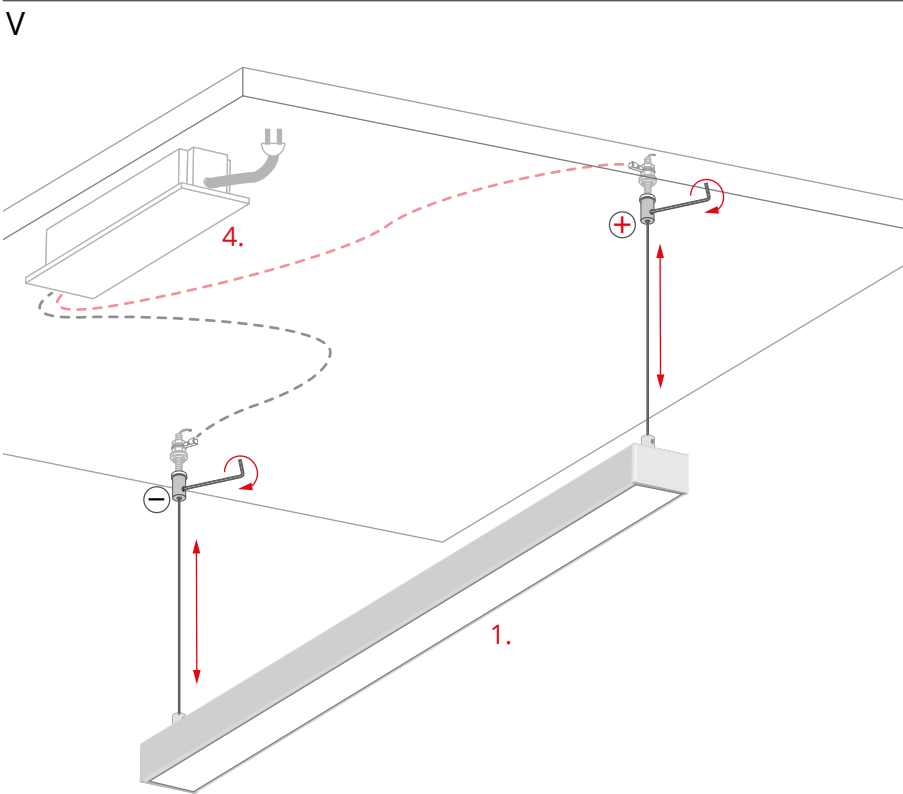
Put the pads (3.3) on the sleeves from the bottom and tighten them to the ceiling with fastener bodies (3.1).

Tighten and lock all the items in the upper part of the fastener.



Lead the steel cables (2) through fastener bodies and threaded sleeves to the other side of the fastener.

Lock the power supply cables in the connectors (3.9).



Suspend the fixture (1), adjust the length of the cables, so the fixture hangs evenly. Tighten the pressure screws (3.2) in the fastener bodies. Power supply cables must be connected to a 12 V / 24 V Power supply (4).

