

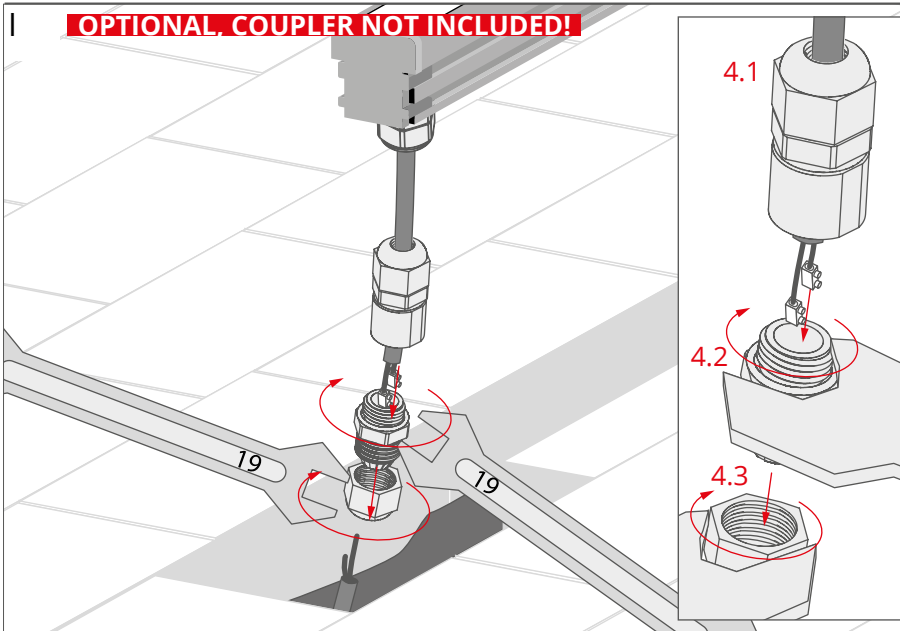
- 1. HR-LINE Lighting fixture
- 2. Pad*
- 3. Cable to power supply 12 V / 24 V**
- 4.1 Hermetic coupler (item 4.1)*
- 4.2 Hermetic coupler (item 4.1)*
- 4.3 Hermetic coupler (item 4.1)*
- 5.1 Connector (item 5.1)*
- 5.2 Connector (item 5.2)*

OPTIONAL, COUPLER NOT INCLUDED!

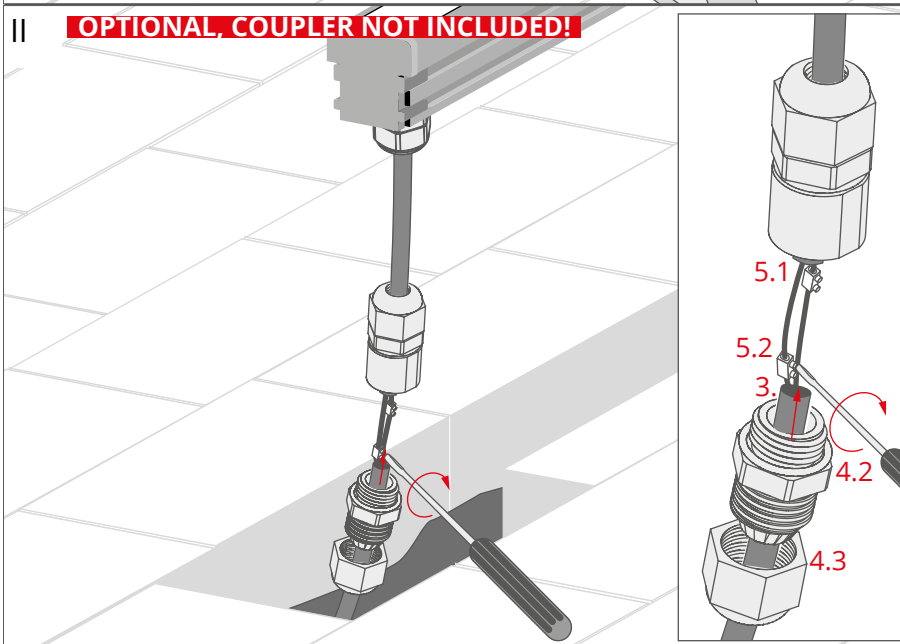
*The full range of accessories and electronics is available at www.KlusDesign.com

NOTE! All LED tapes must be connected to a 12 V or 24 V power supply.

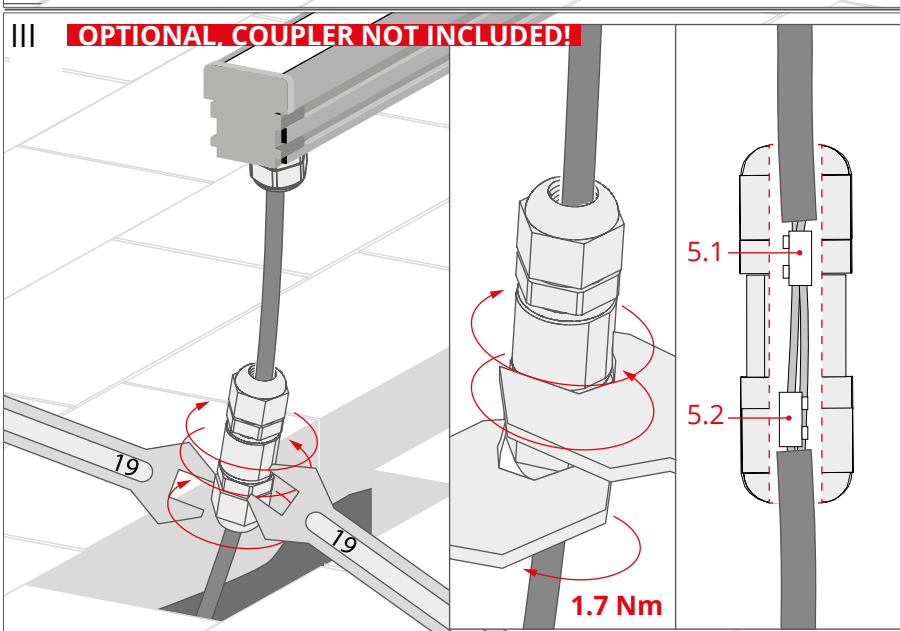
IMPORTANT: Not all possible mounting procedures are presented here. More mounting procedures and related accessories can be found at www.KlusDesign.com. Drawings of extrusions and accessories in these instructions are simplified and only approximate the actual shapes.



Detach items (4.2, 4.3) of the hermetic coupler from item (4.1).



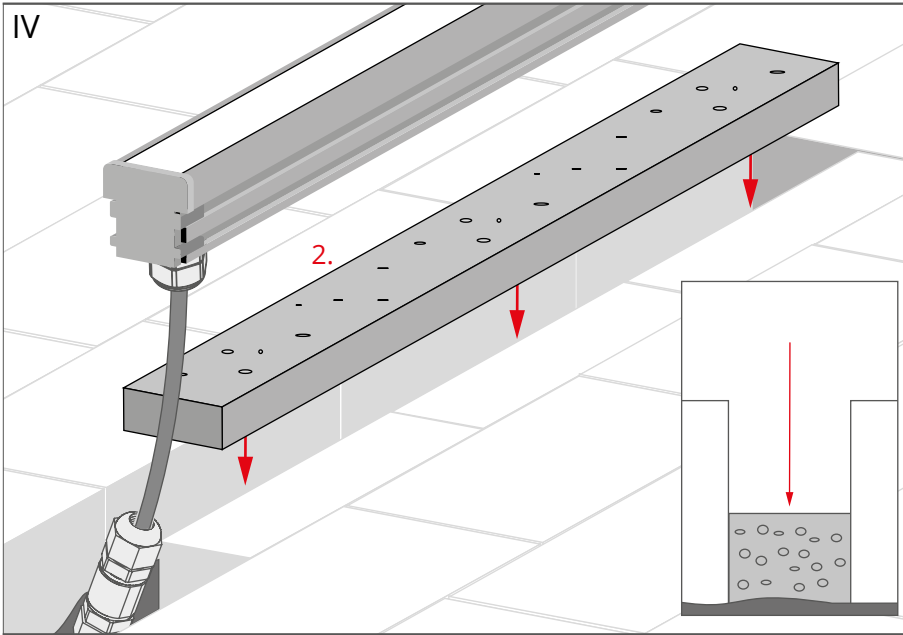
Lead the cable (3) through items (4.2, 4.3) of the hermetic coupler and attach it to the cable from the fixture, using both items (5.1, 5.2) of the connector.



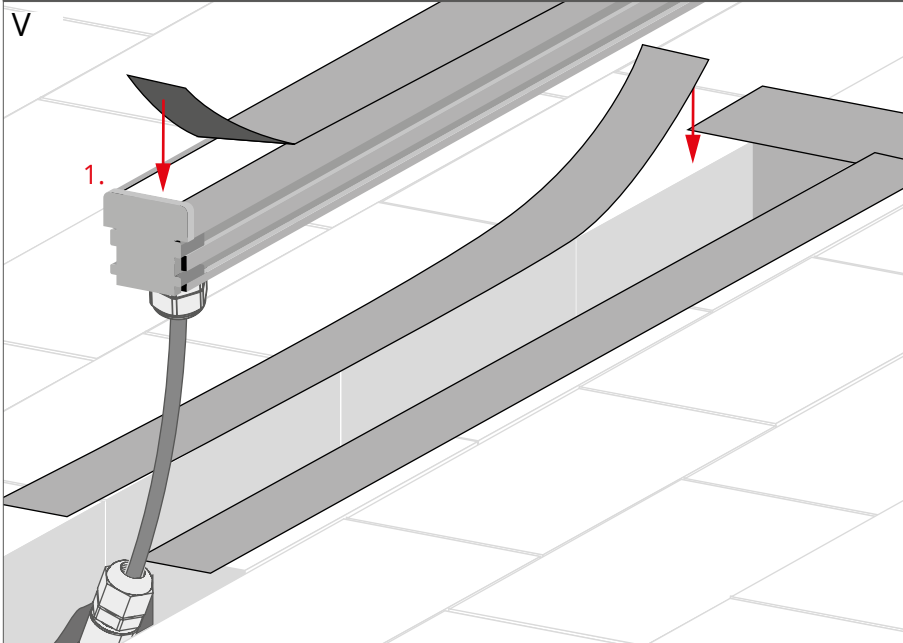
Screw together all the items of the coupler.

NOTE! When inserting cables into the coupler, make sure that both items (5.1, 5.2) of the coupler are not touching each other.

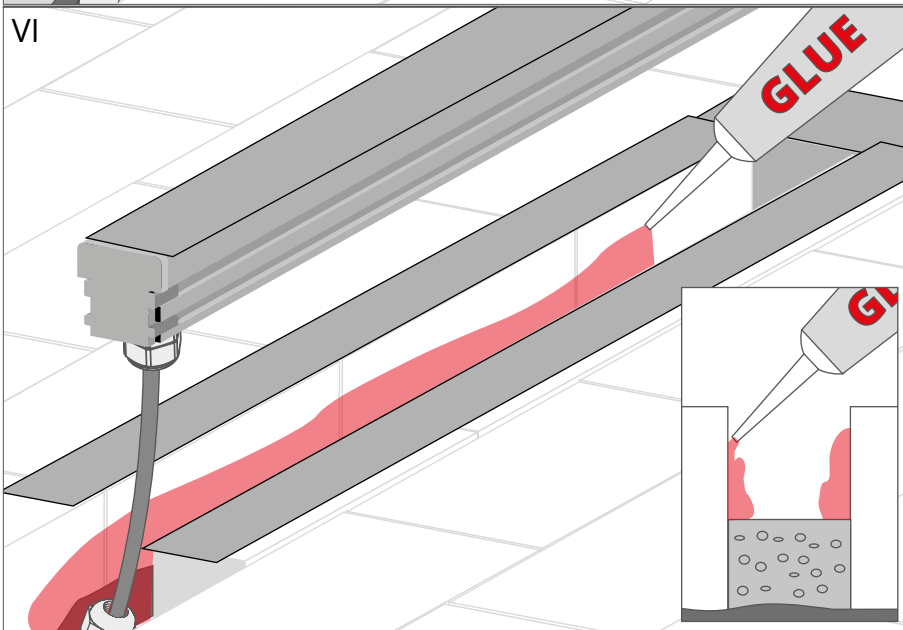
NOTE! The items must be tightened with torsional power equal to 1.7 Nm.



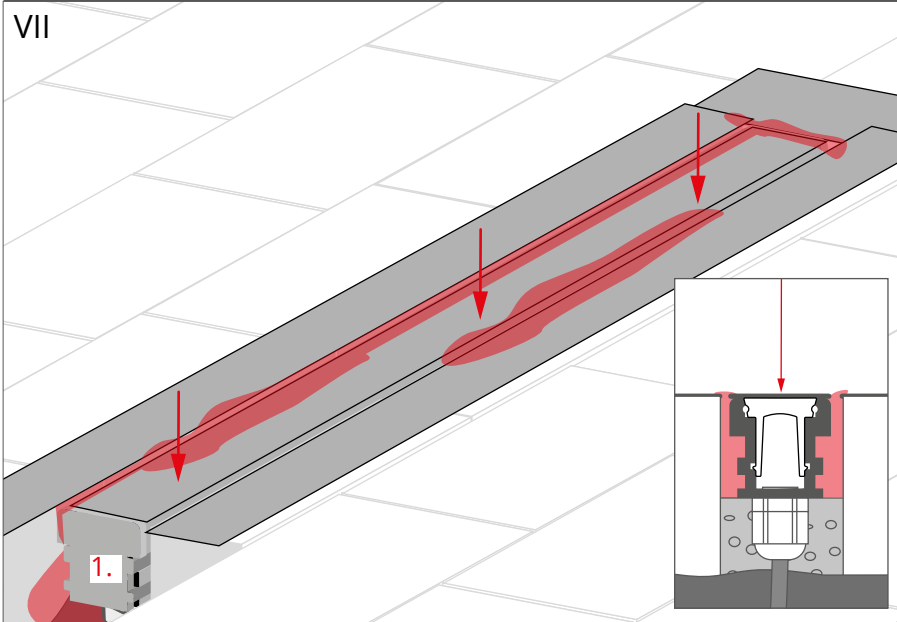
Place the pad (2) in the groove in the pavers



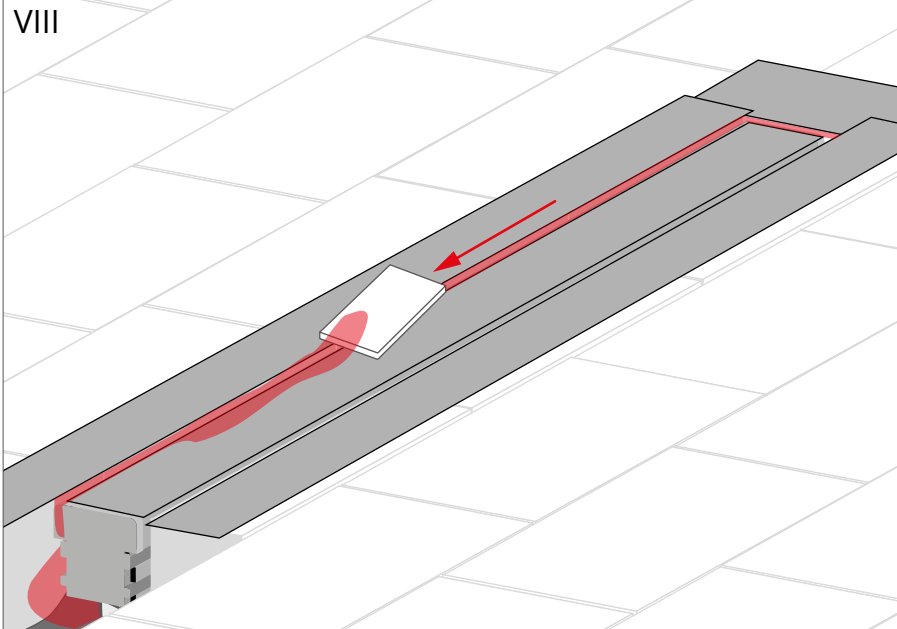
Secure the edges of the groove and surface of the HR-LINE fixture (1) with protective tape.



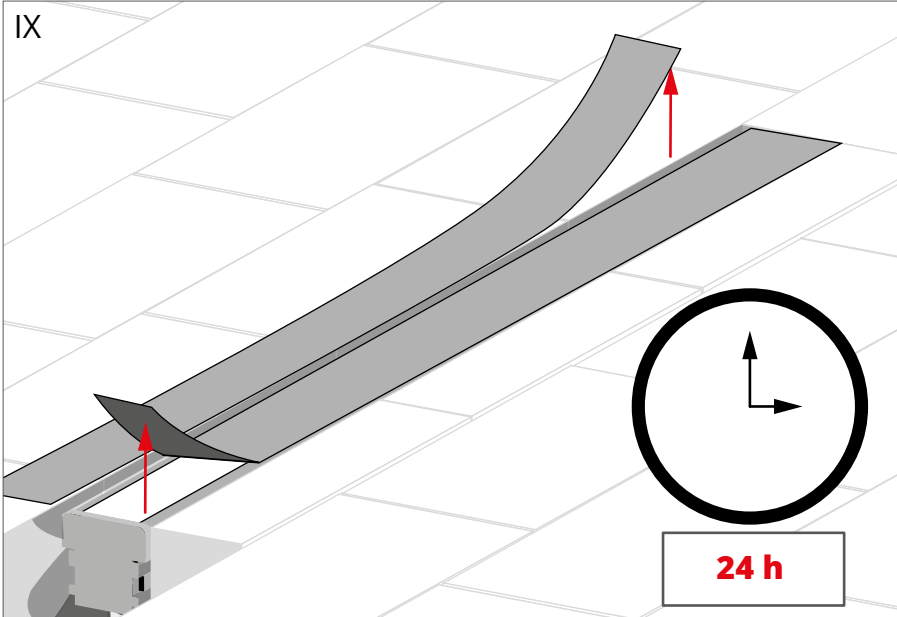
Distribute the adhesive along the walls of the groove.



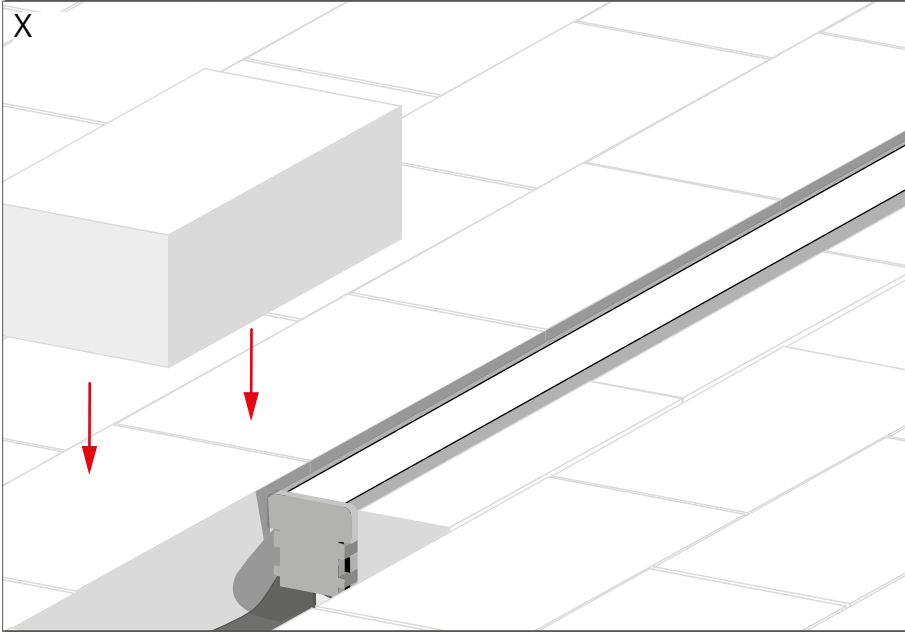
Place the fixture in the groove. The excess glue should come to the surface from the sides of the fixture and at its ends.



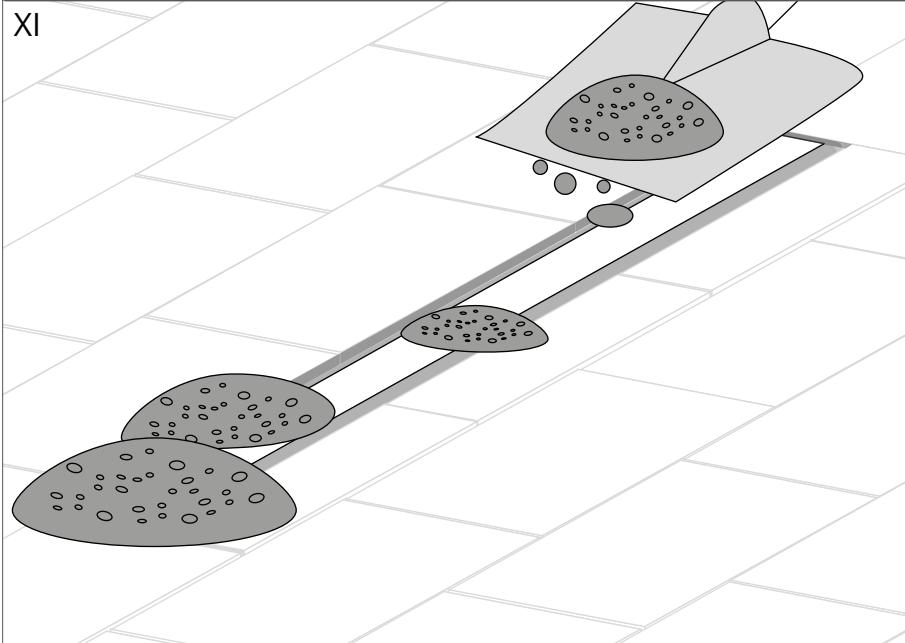
Remove the excess glue.



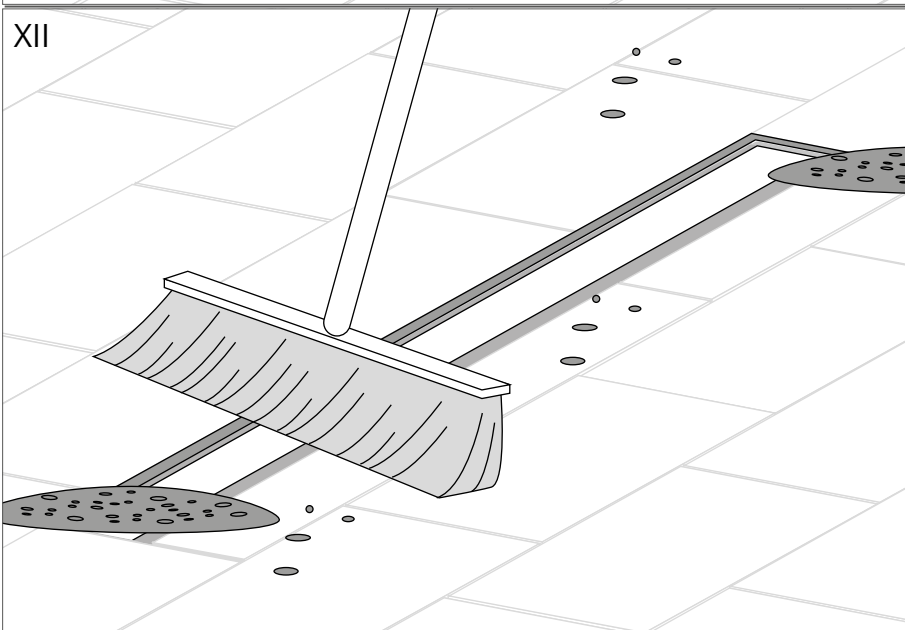
Remove the protective tape and wait 24 h until the glue dries.



Insert the missing paving stones.



Fill the remaining grooves between paving stones and the fixture with sand.



Clean the fixture from sand.