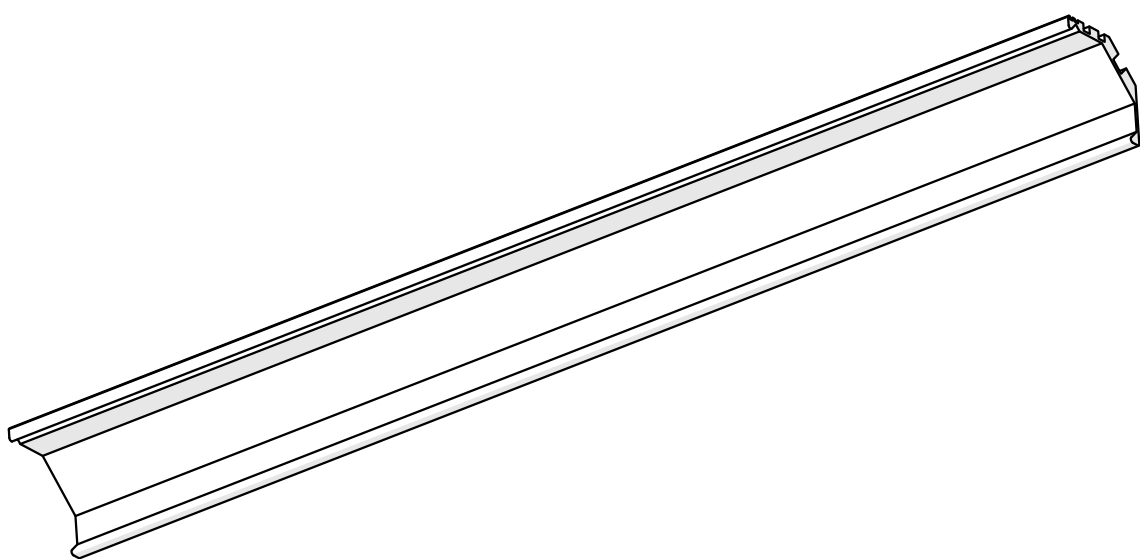
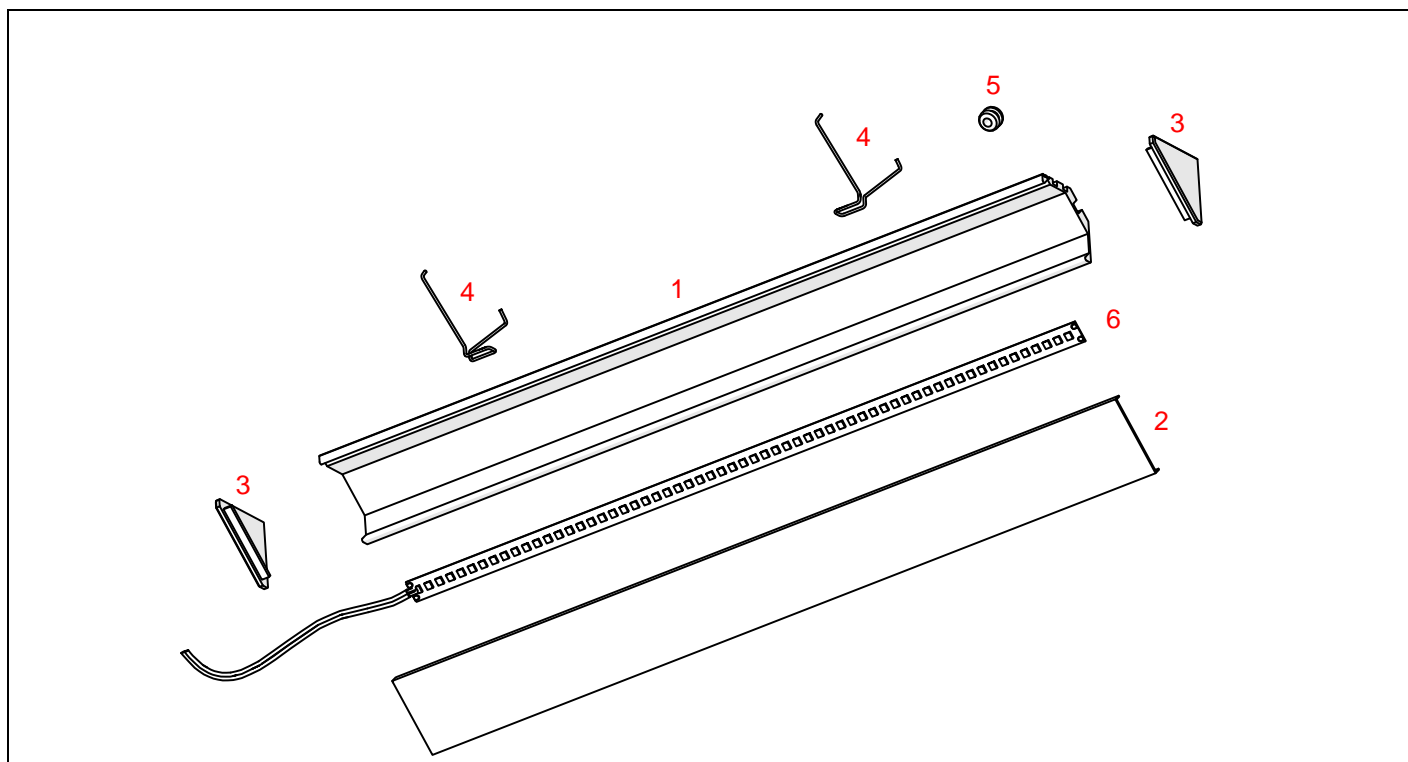
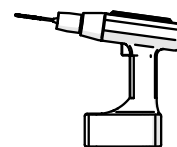


Profile KOPRO





DOES NOT INCLUDE

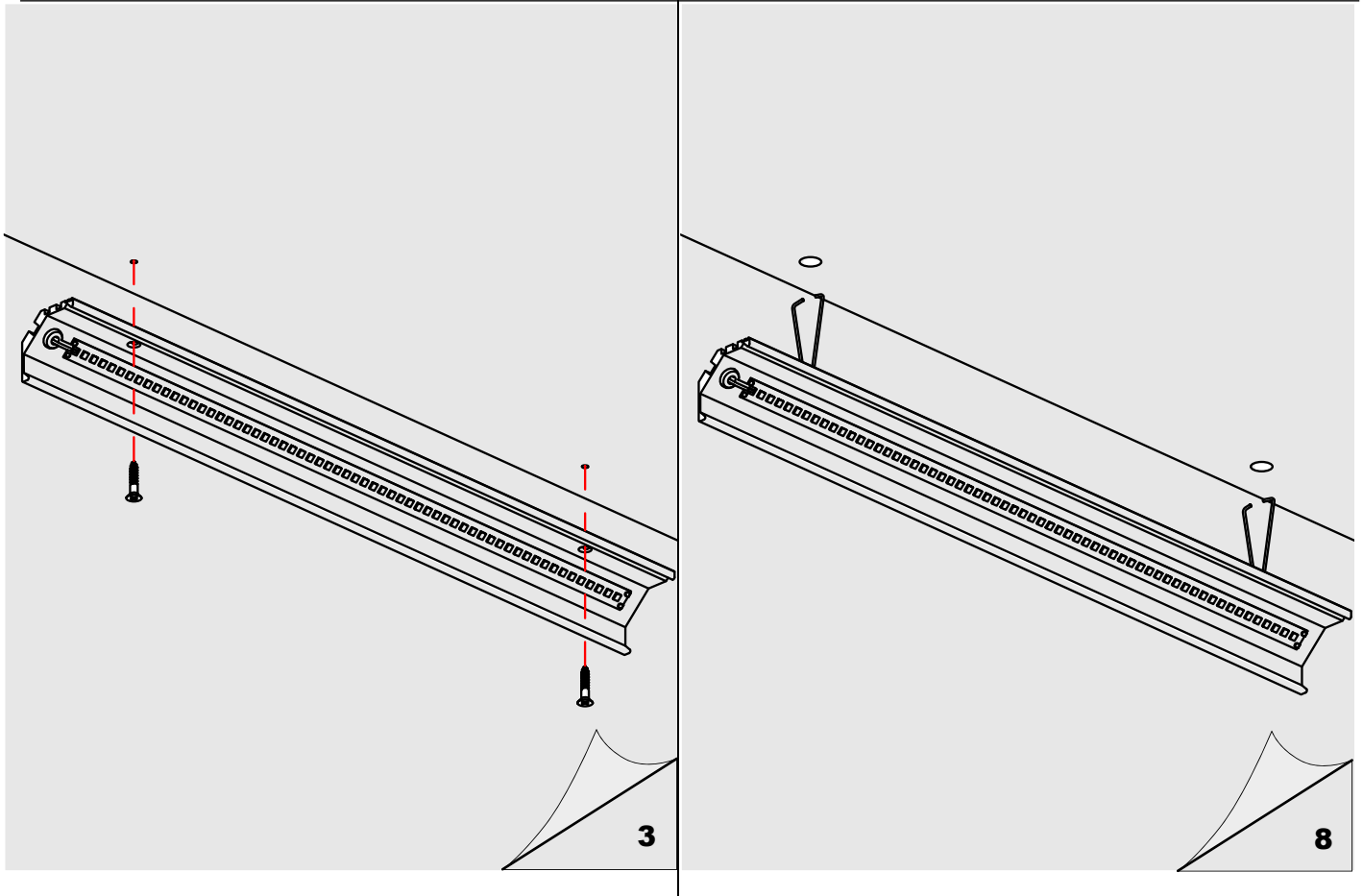


- 1. Profile KOPRO (Ref. A06367)
- 2. Cover KOPRO*
- 3. End cap KOPRO*
- 4. Spring GP (C24500N00)
- 5. Gland*
- 6. LED tape*

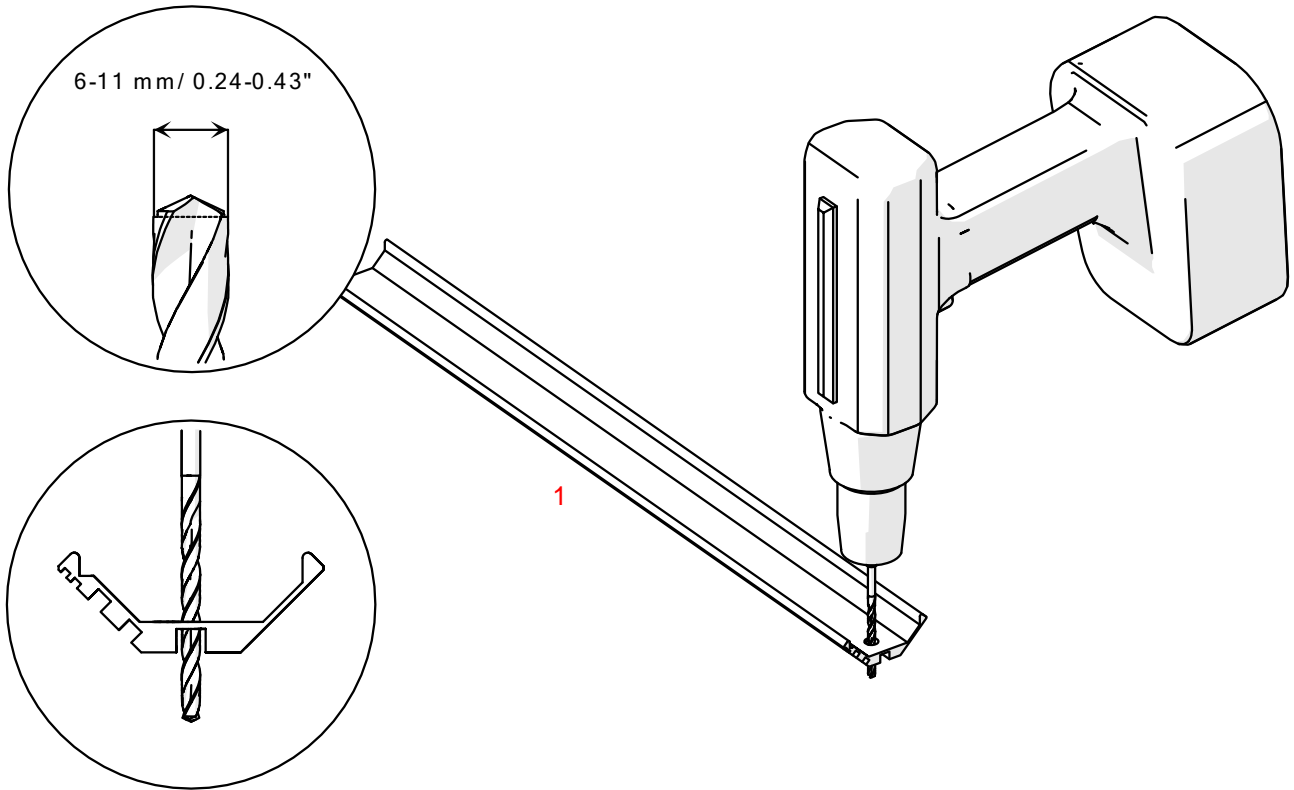
* The full range of accessories and electronics is available at www.KlusDesign.eu

NOTE! ! All LED tapes must be connected to a 24 V power supply.

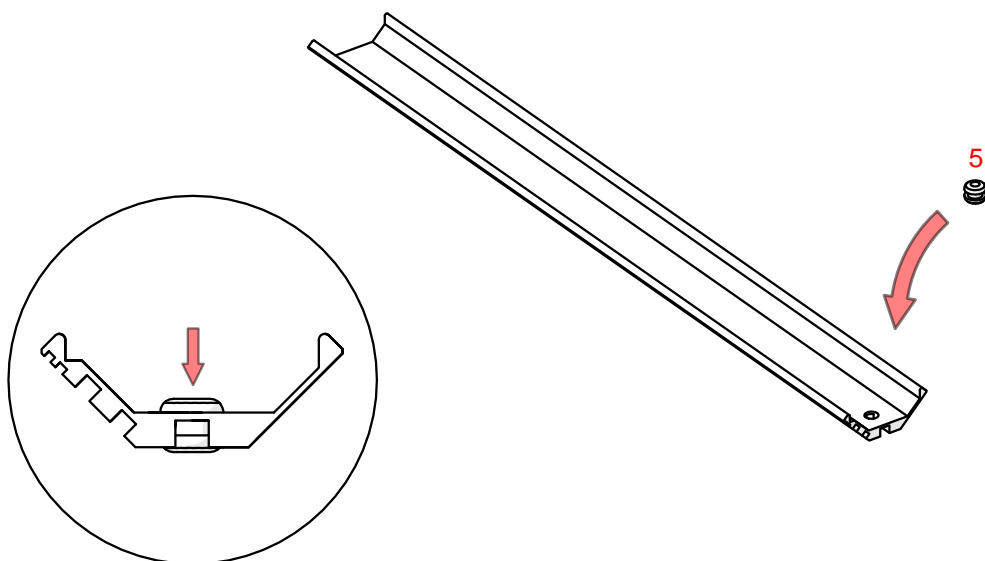
IMPORTANT: Not all possible mounting procedures are presented here. More mounting procedures and related accessories can be found at www.KlusDesign.eu. Drawings in these instructions are simplified and only approximate the actual shapes.



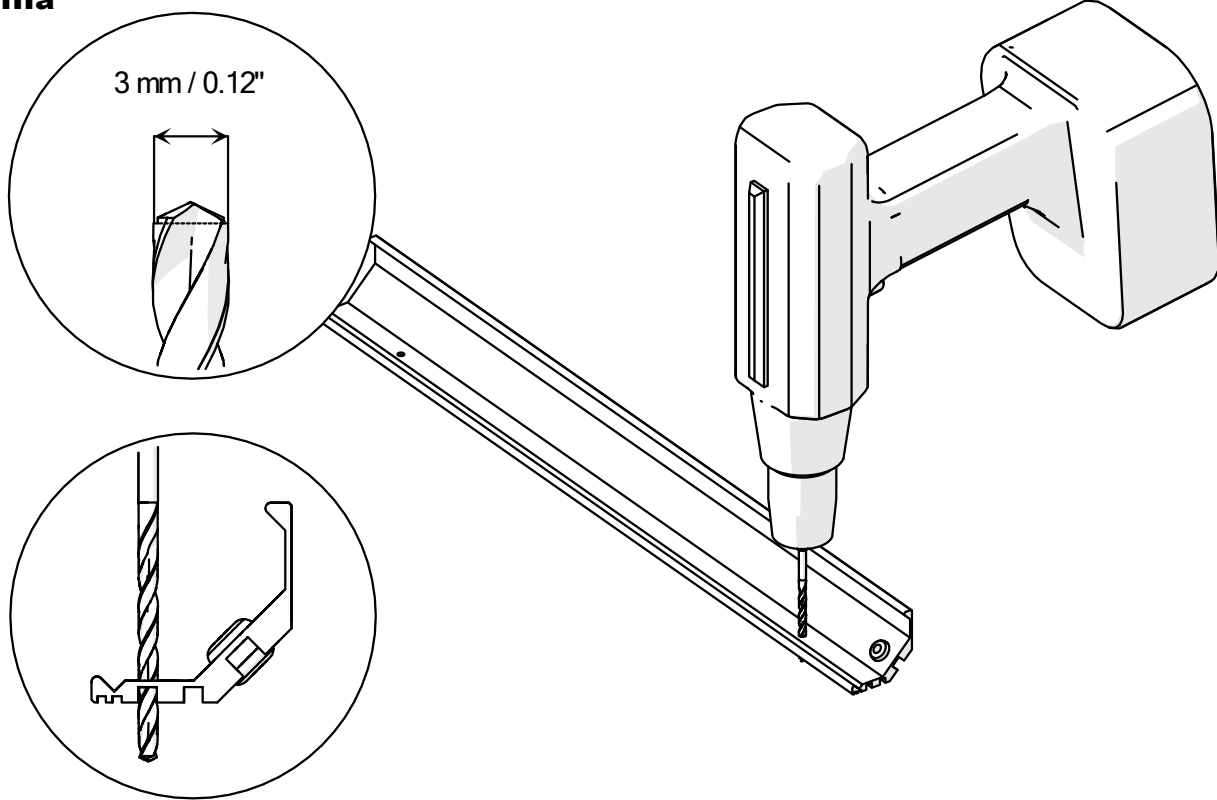
Ia



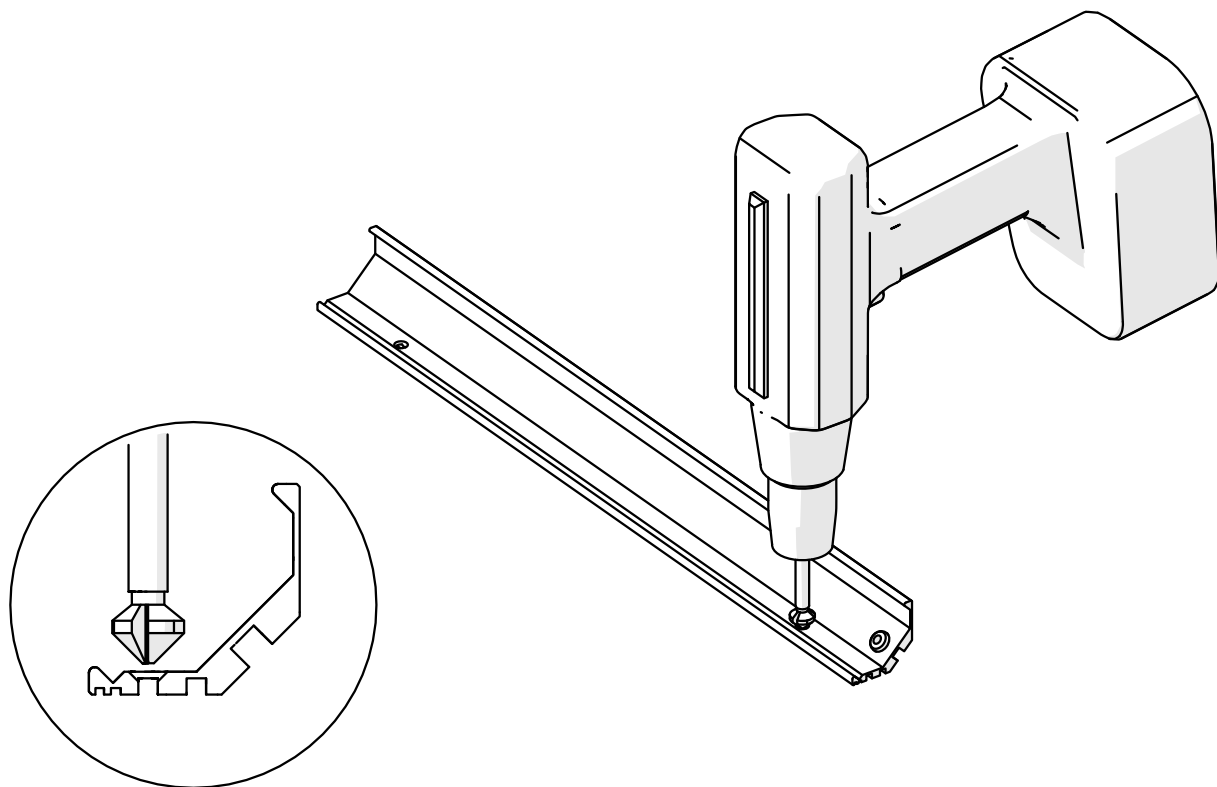
Ila



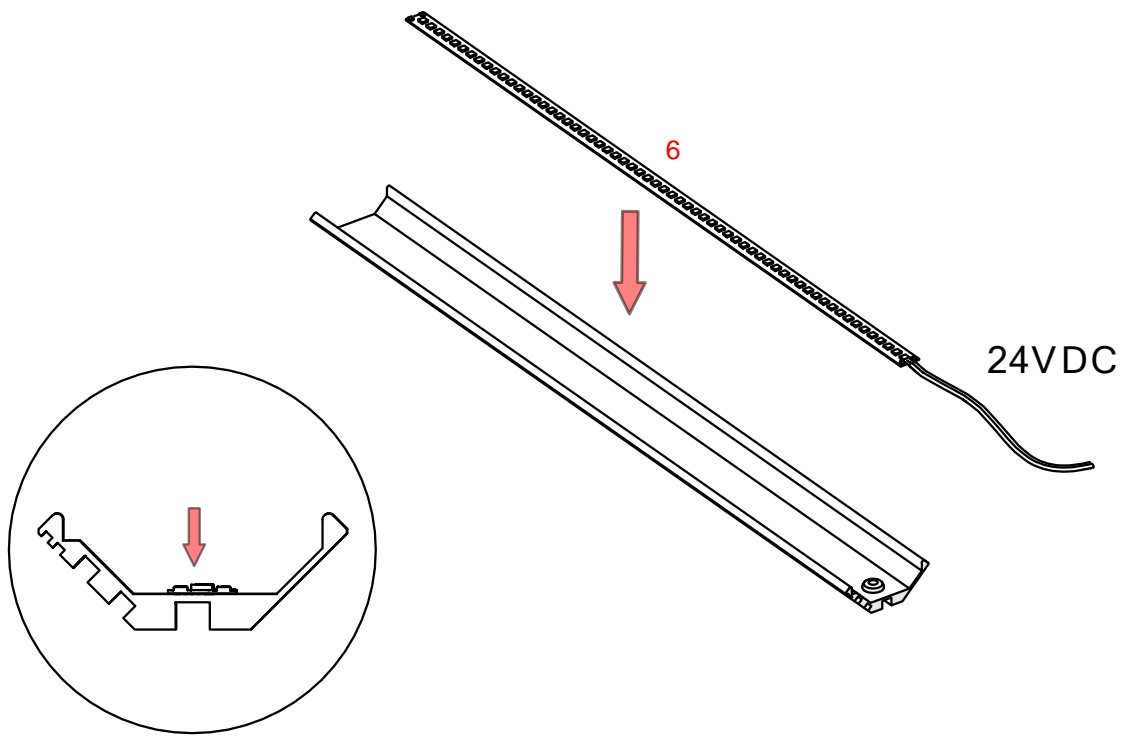
IIIa



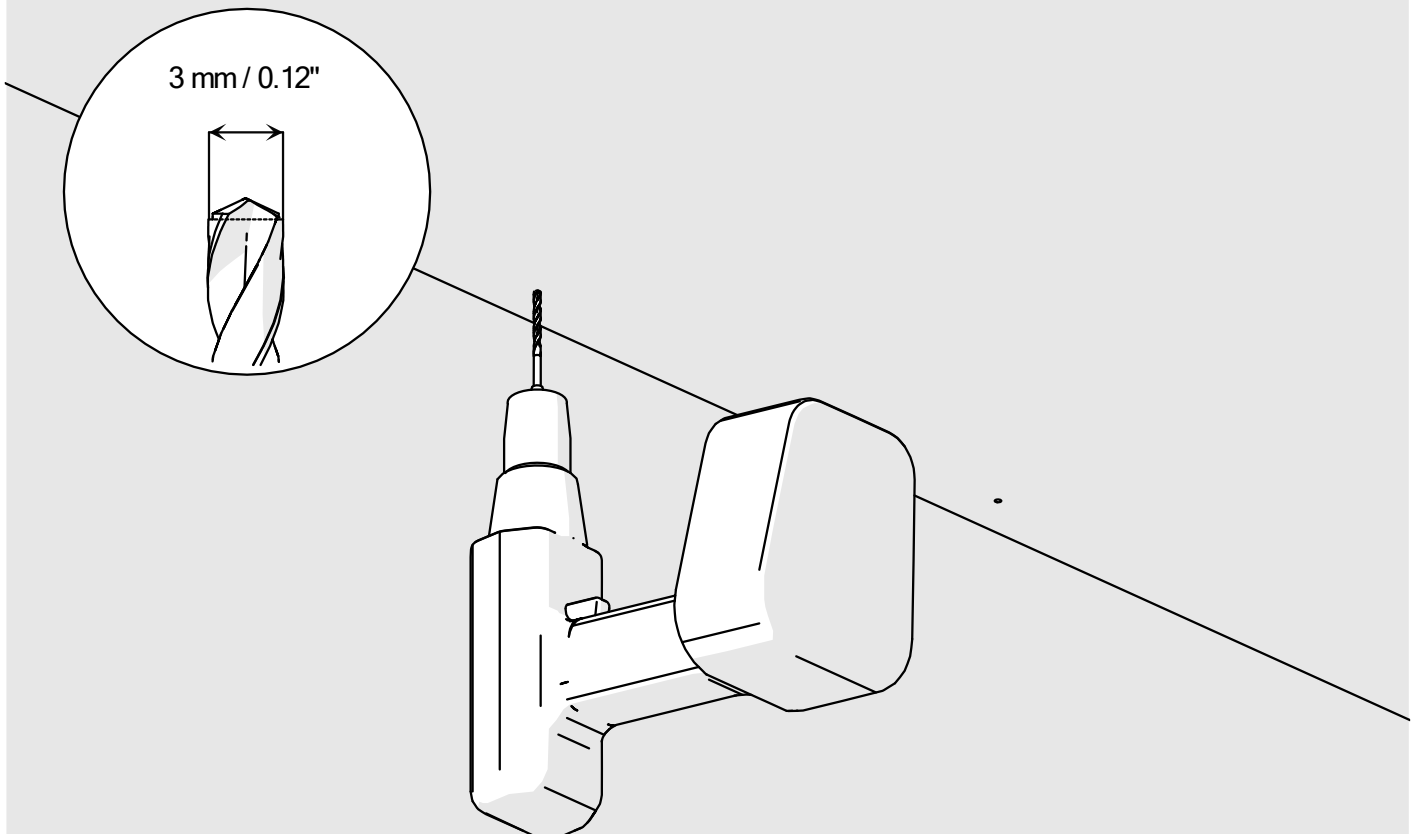
IVa



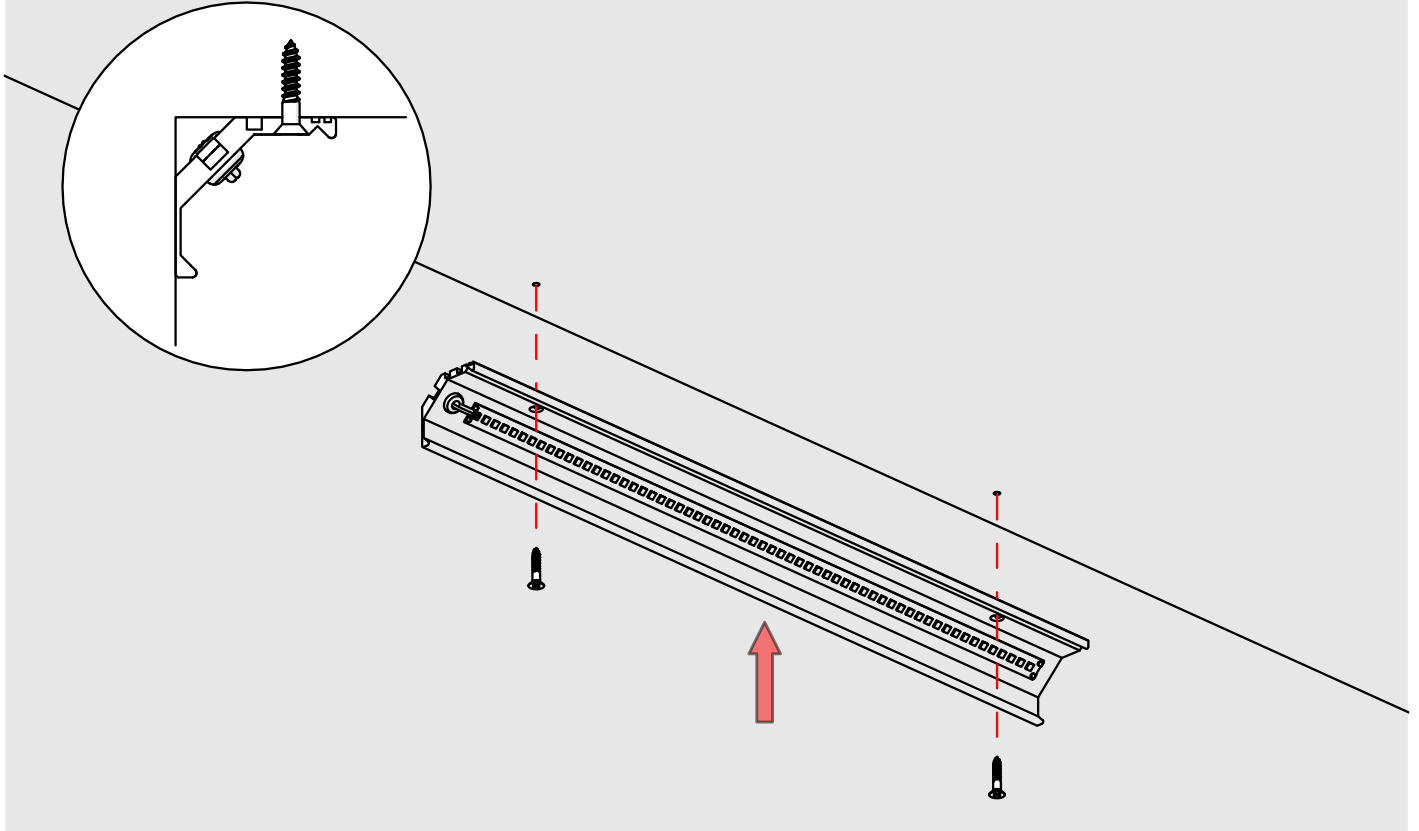
Va



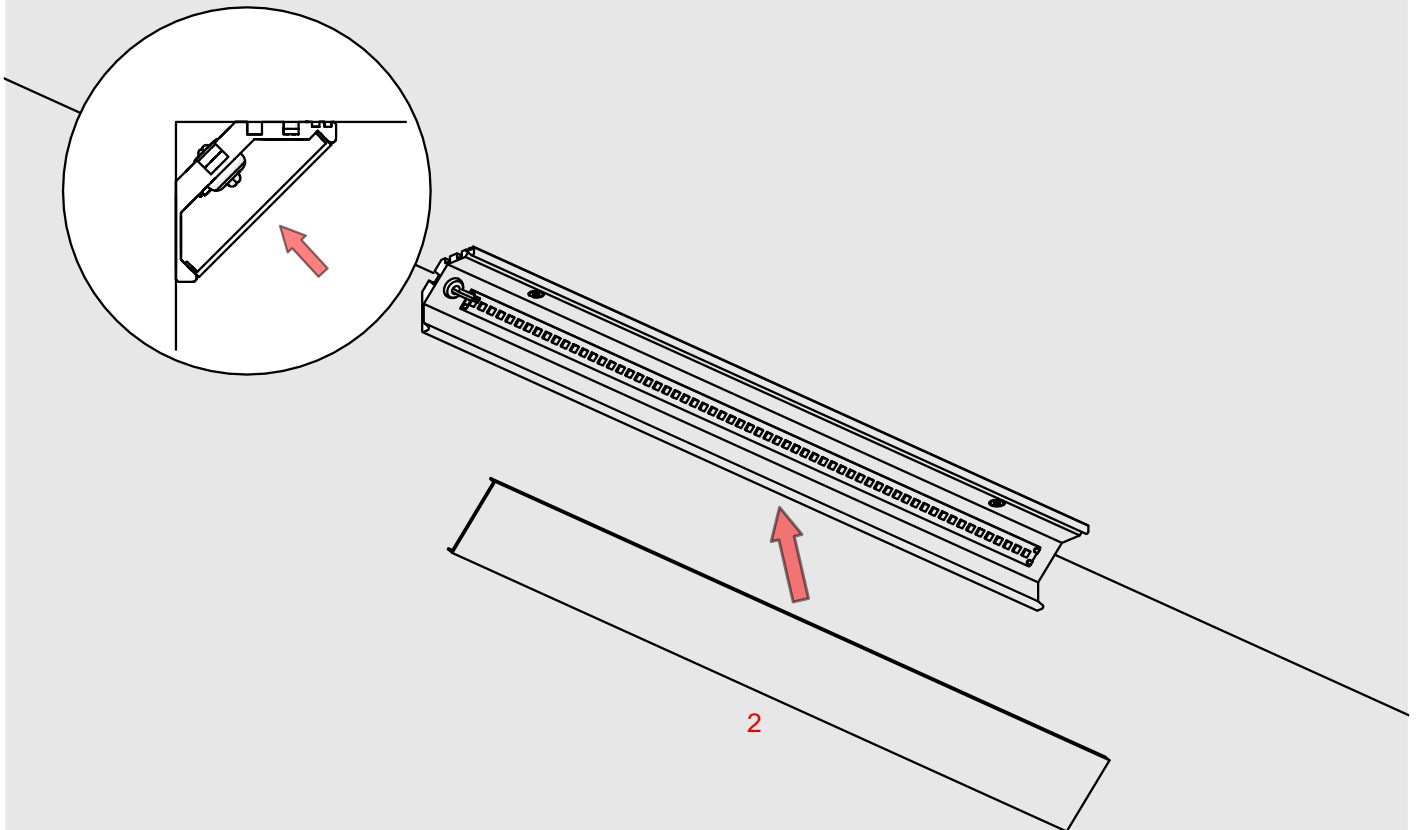
Vla



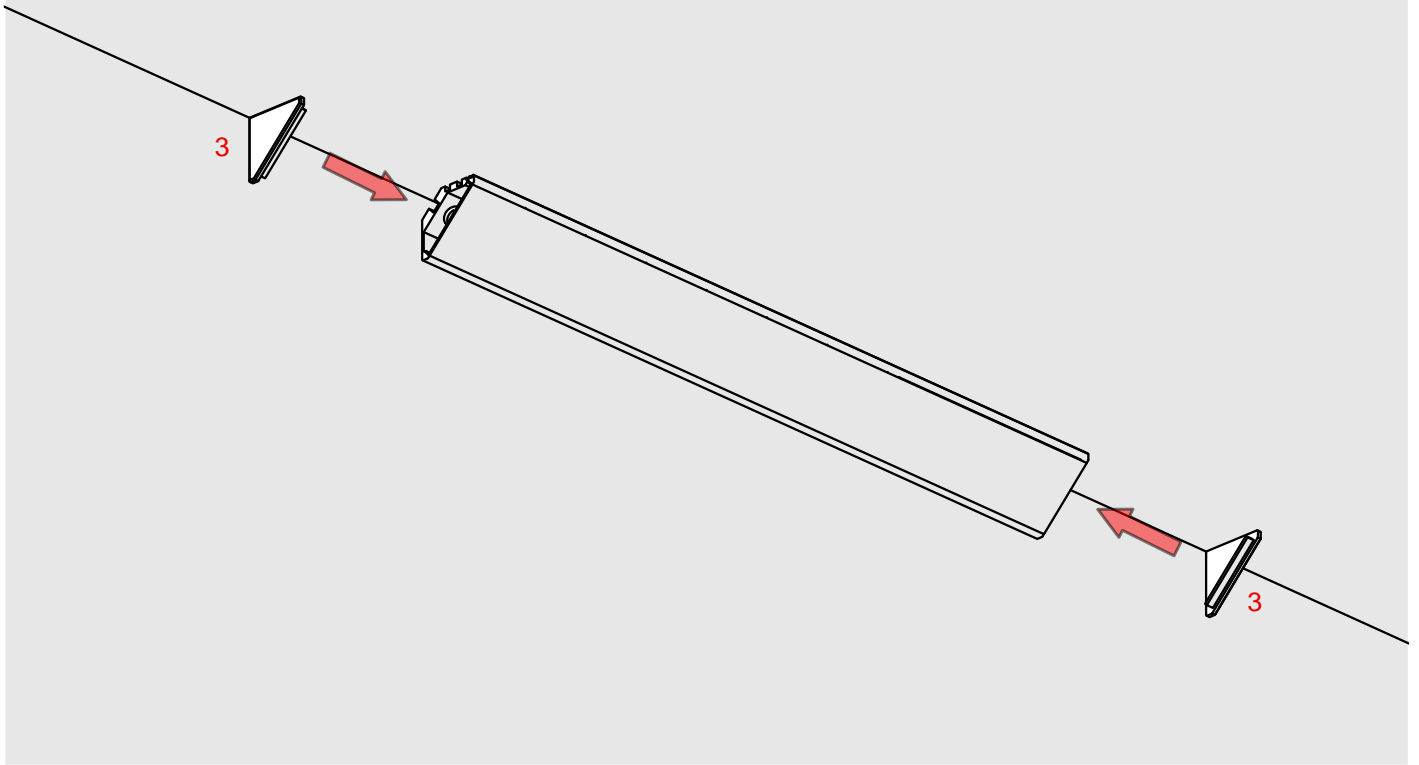
VIIa



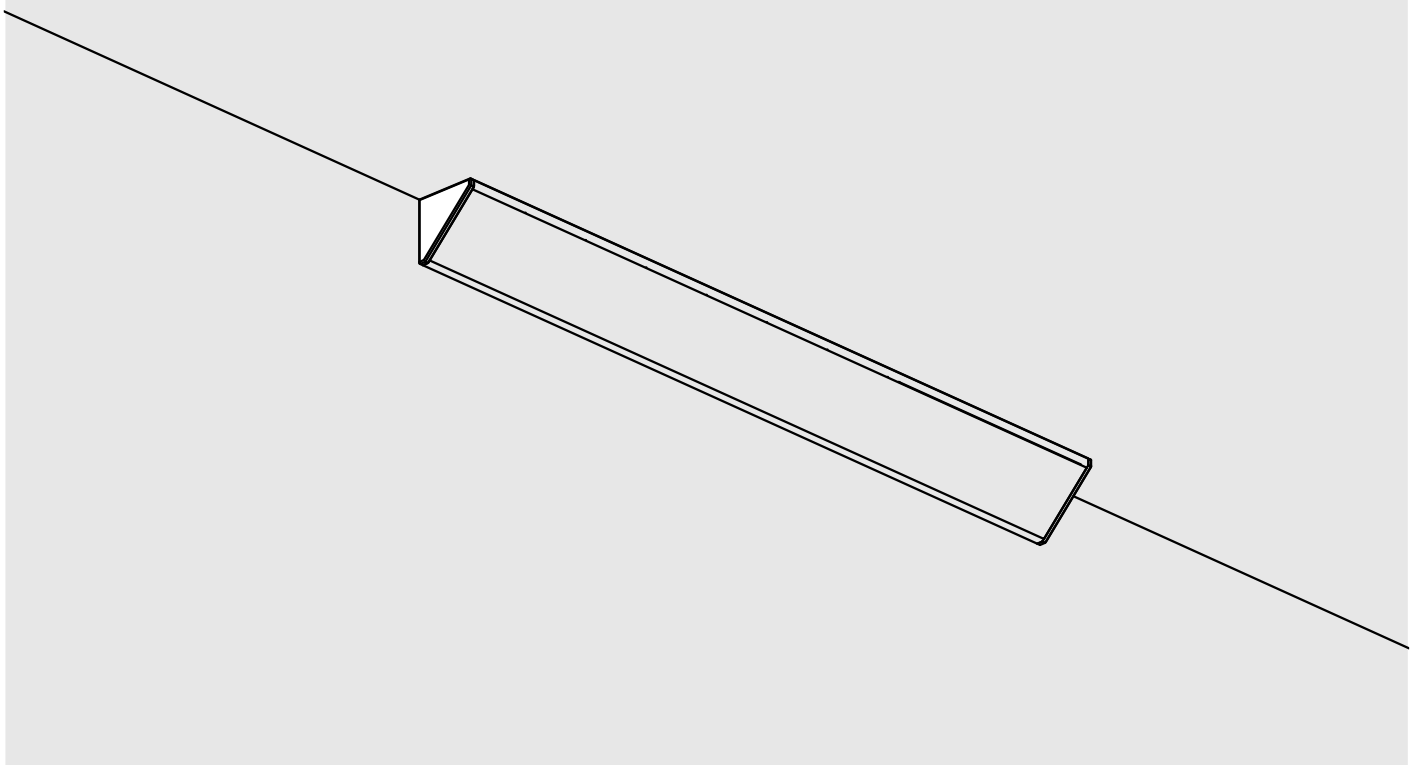
VIIIa



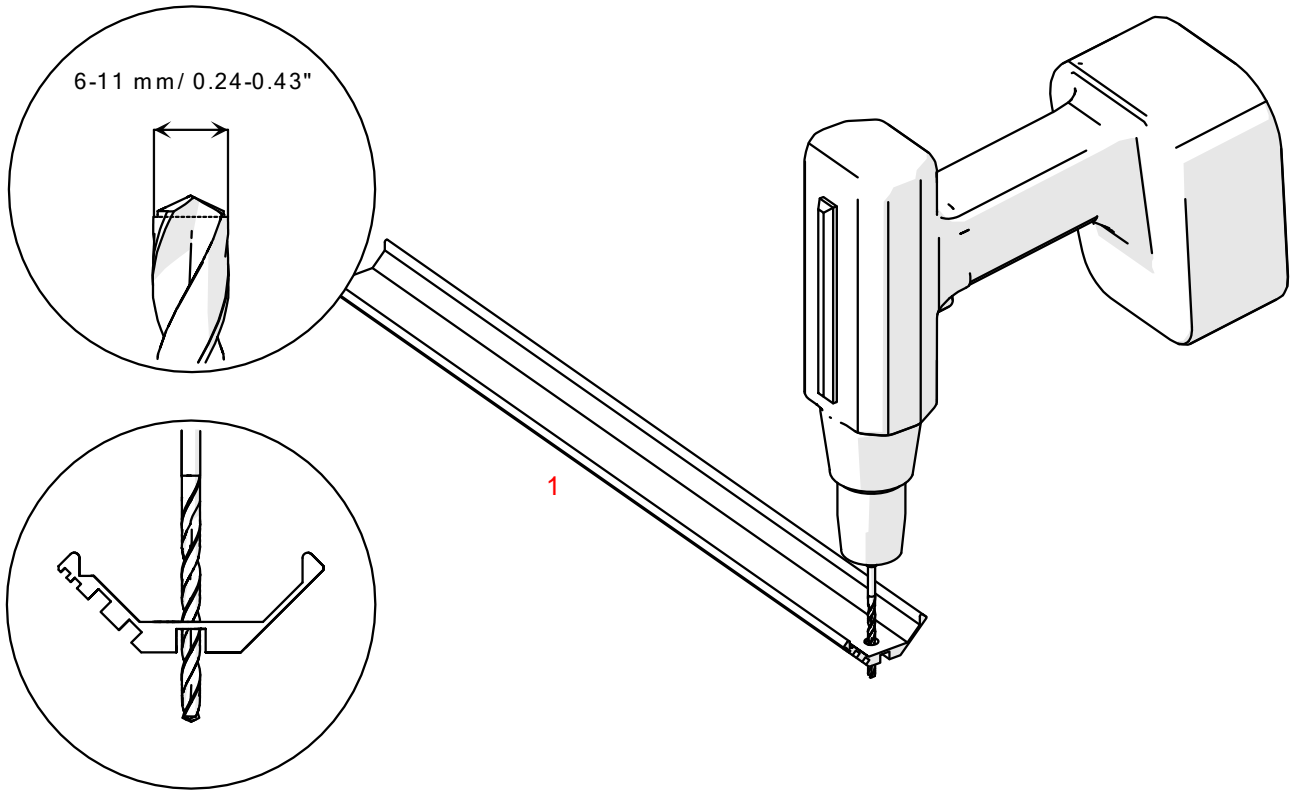
IXa



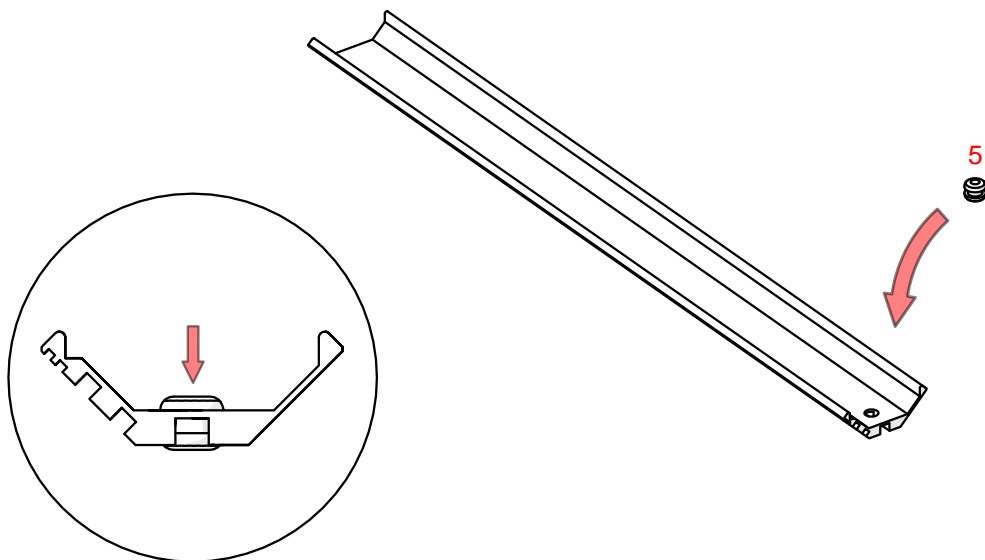
Xa



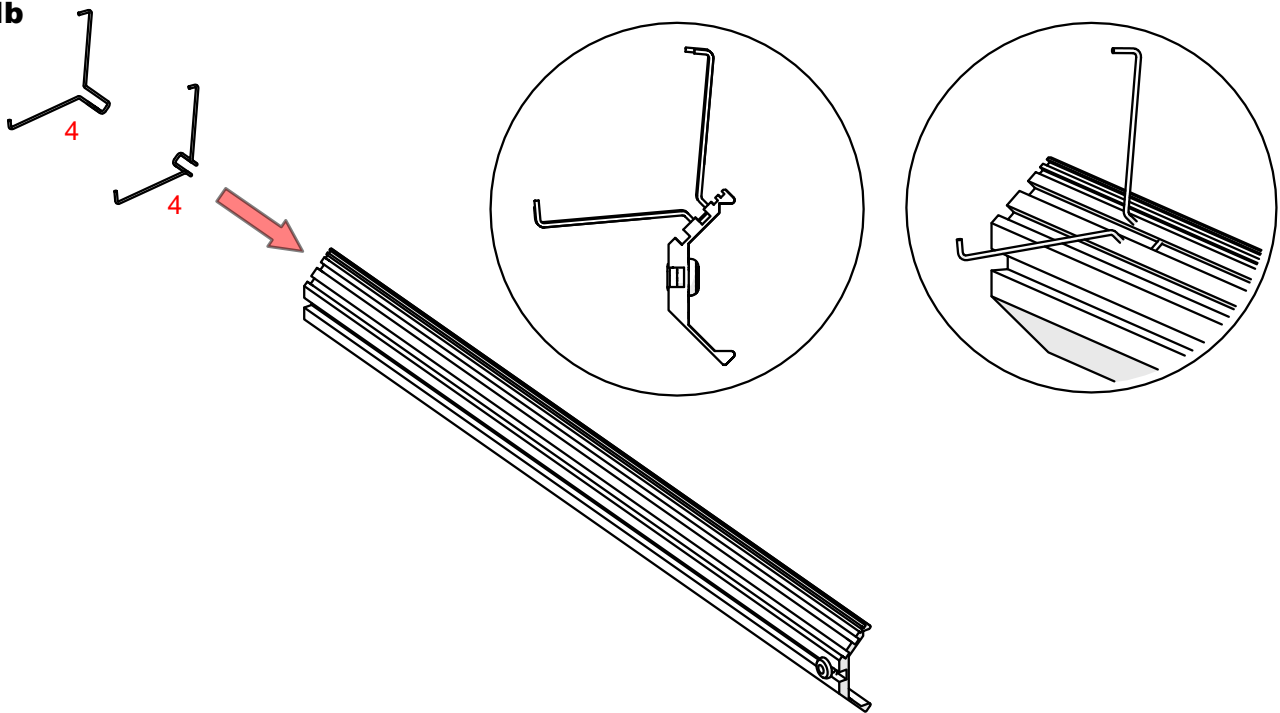
Ib



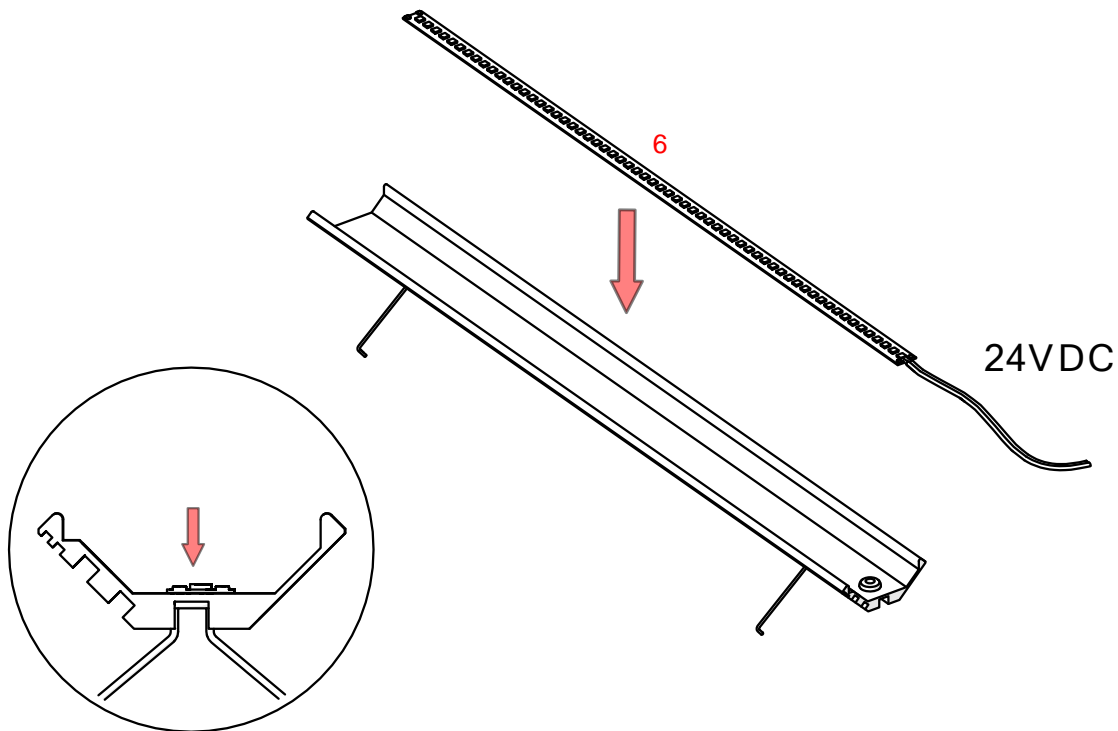
IIb



IIIb

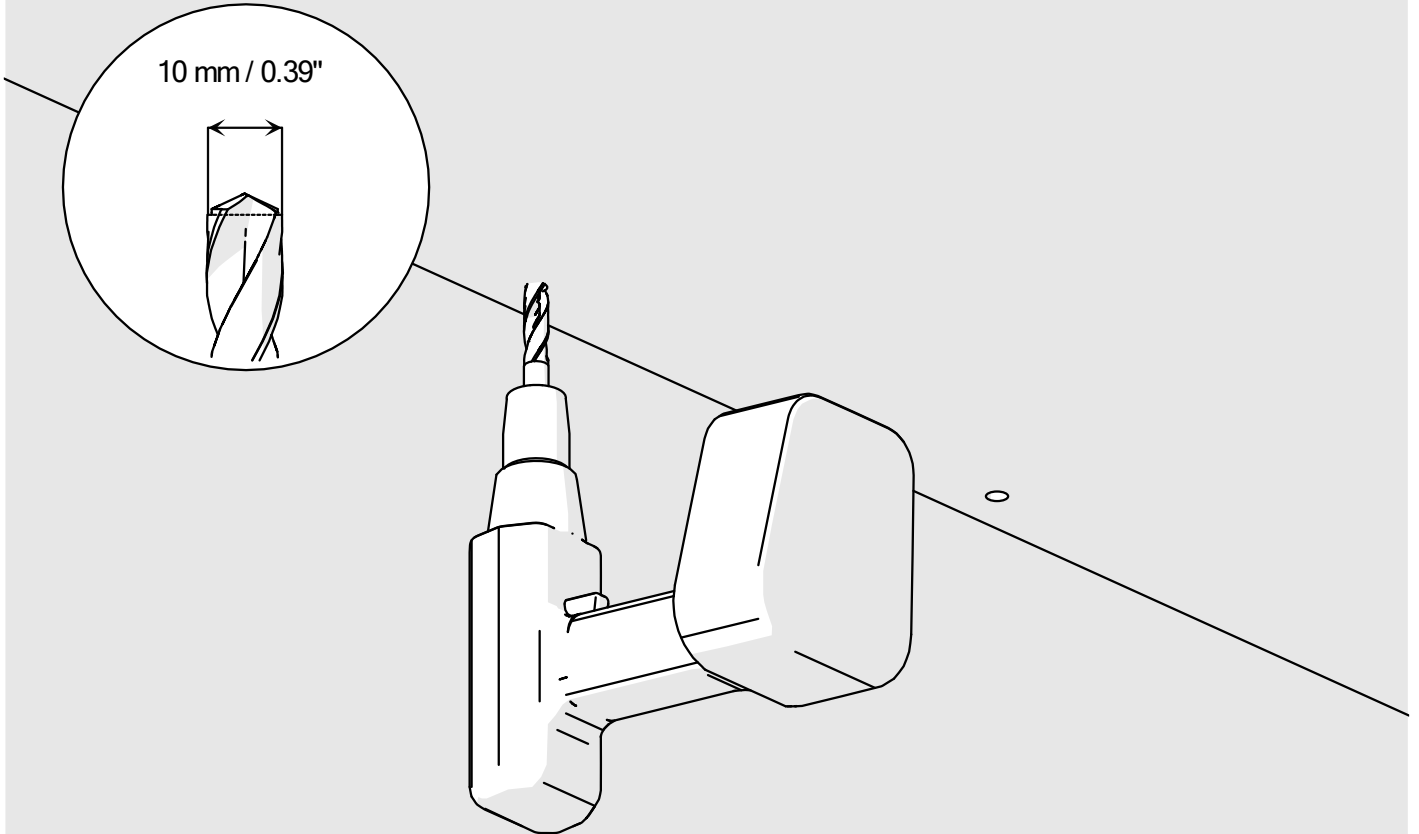


IVb

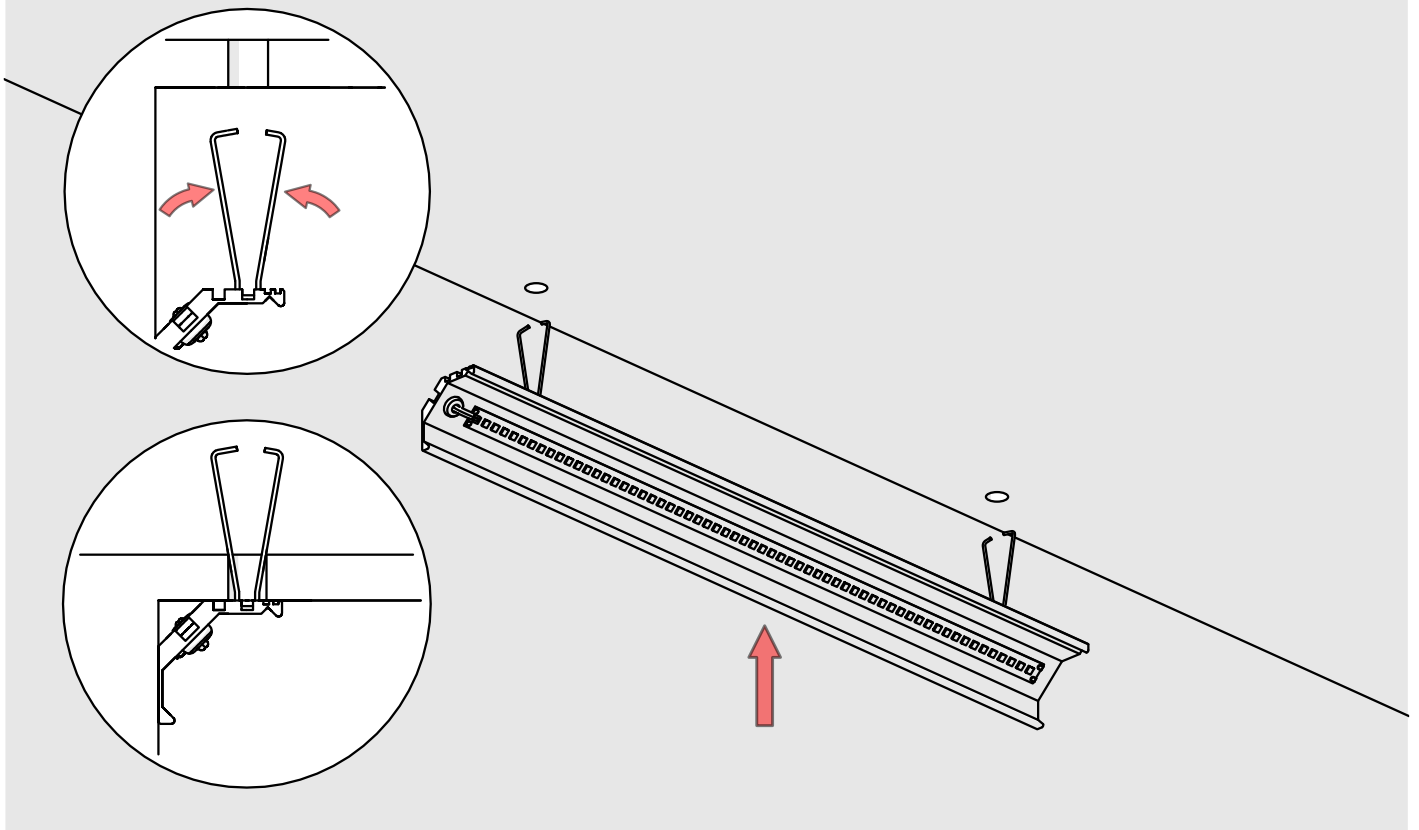


Vb

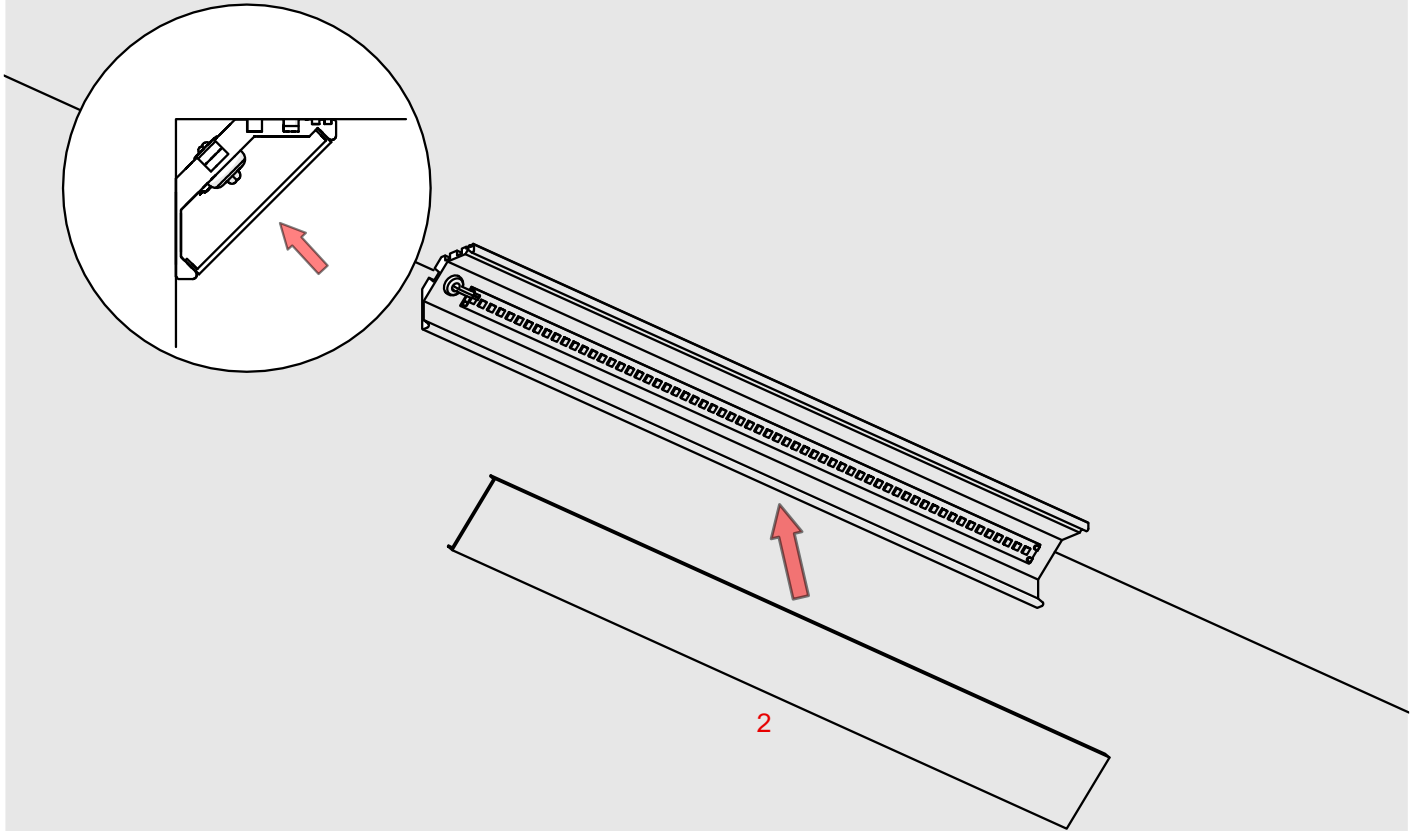
10 mm / 0.39"



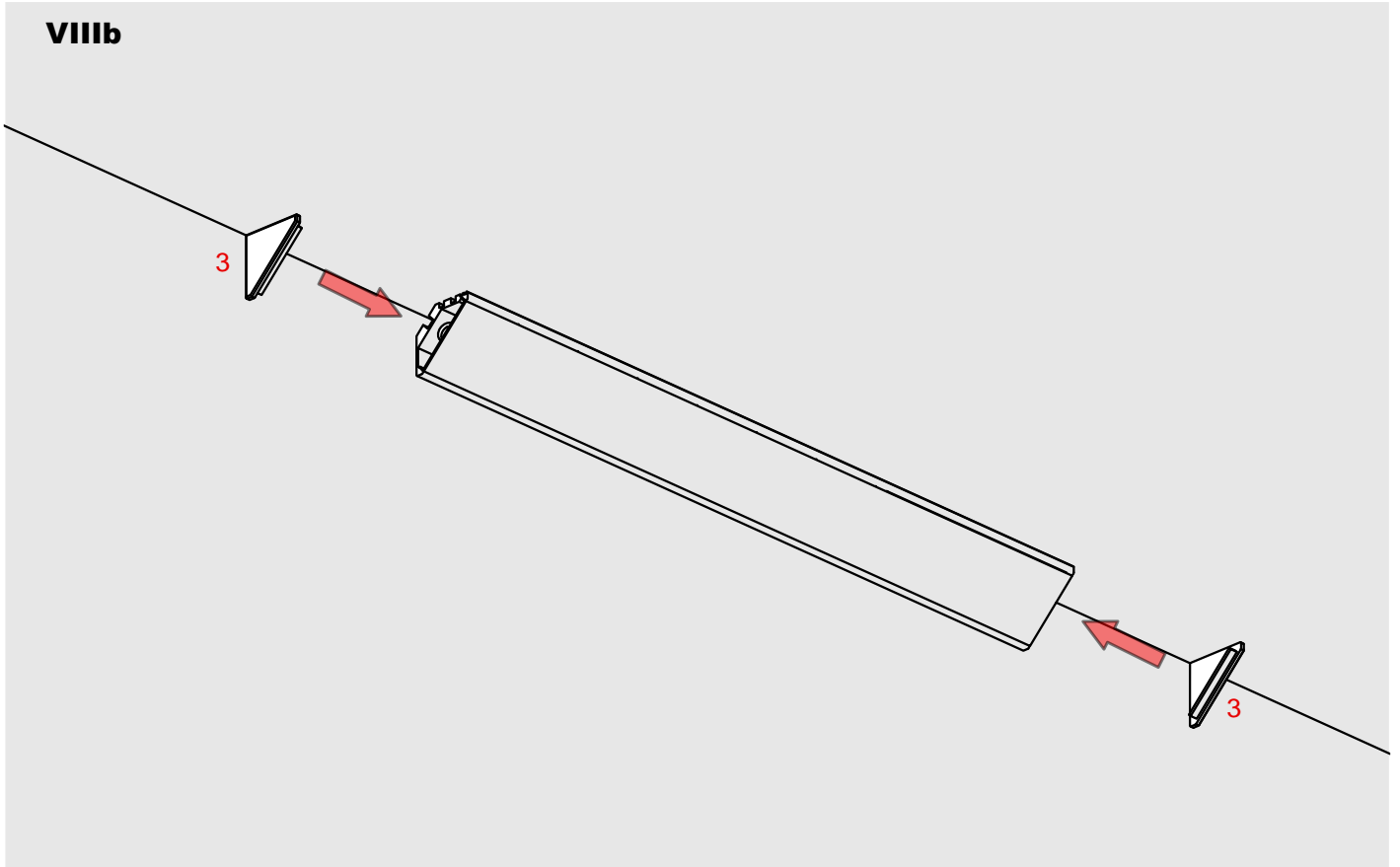
Vib



VIIb



VIIIb



IXb

