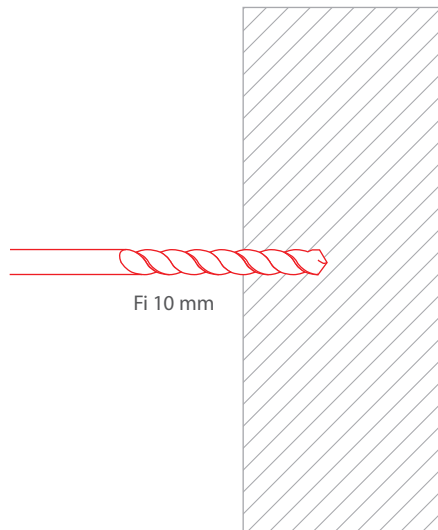


**Tools needed for mounting:**

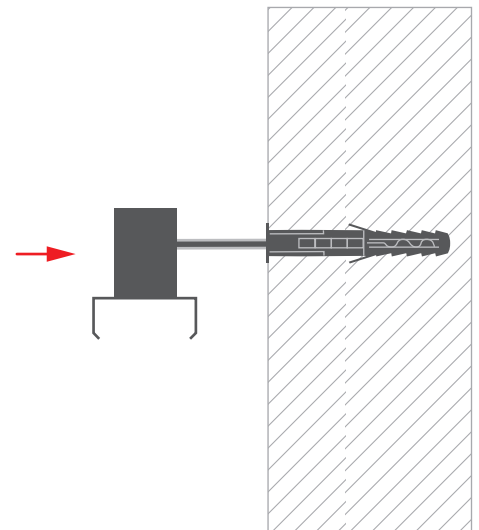
- drill

**NOTE!** A list of products corresponding with the selected accessories is available at [www.KlusDesign.eu](http://www.KlusDesign.eu)

**1.** Drill a hole in the concrete wall 10mm in diameter.



**2.** Insert the M4 mounting set into the drilled hole.



**3.** Insert the selected fixture/ extrusion into the mounting bracket.

