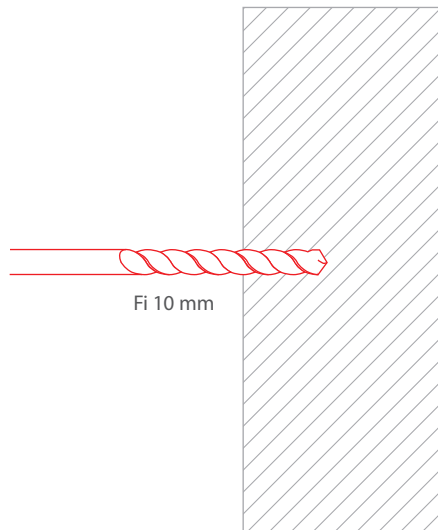


**Tools needed when mounting:**

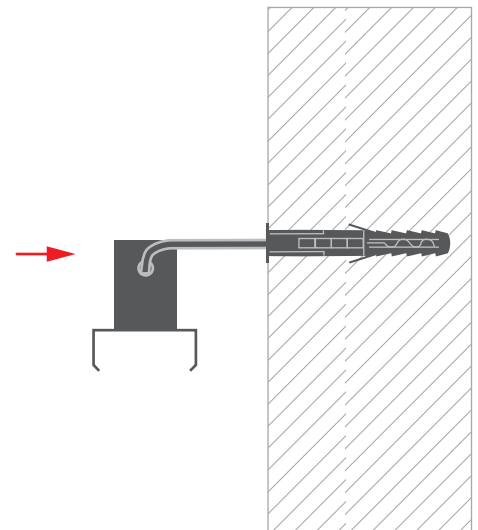
- drill

**NOTE!** A list of products corresponding with the selected accessories is available at [www.KlusDesign.eu](http://www.KlusDesign.eu)

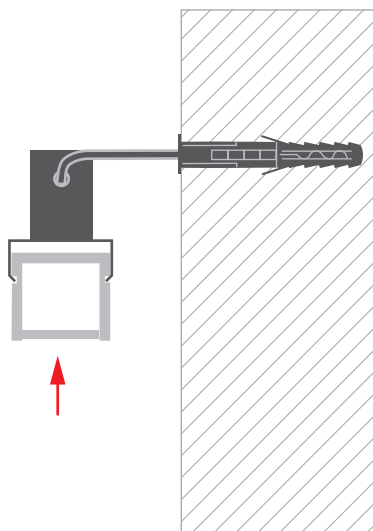
**1.** Drill a hole in the concrete wall 10mm in diameter.



**2.** Insert the M5 mounting set into the drilled hole.



**3.** Insert the selected fixture/ extrusion into the mounting bracket.



**4. ATTENTION!** POSITION OF THE FIXTURE CAN BE REGULATED on the arm in a range of 300 degrees.300°.

