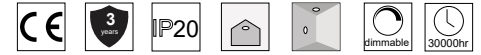
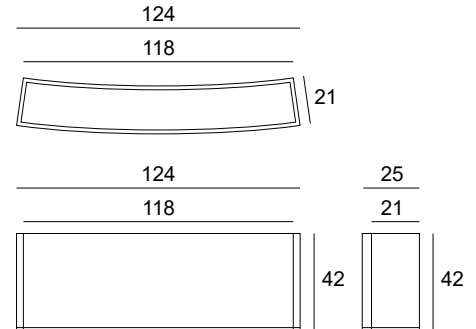
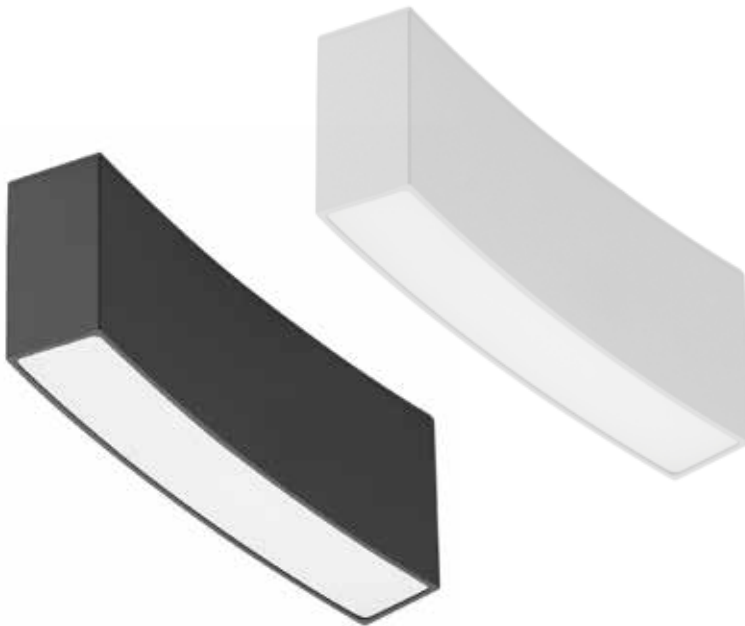


LINEAR12 MAGNETIC CURVY 2C 7W DIF RA90 24V



ΚΩΔΙΚΟΣ / CODE

- Ξ4010103-131 (3000K SANDY BLACK)
- Ξ4010103-132 (3000K SANDY WHITE)
- Ξ4010103-133 (4000K SANDY BLACK)
- Ξ4010103-134 (4000K SANDY WHITE)



General information

Application	Indoor / For Magnetic Curved Track
Direction of mounting	Ceiling / Wall
Available colors	Sandy black / Sandy white
Material	Aluminium
Visible dimensions (L×W×H)	124 × 21 × 42mm
IP classification	IP20
Life time	30000 hrs
Warranty	3 years
Origin	China

Illuminant

Output	485Lm
CCT	3000K / 4000K
LED	OSRAM
CRI	Ra90
Wattage	7W
Voltage	24 VDC
Dimmable option	TRIAC, 0/1-10V, DALI