



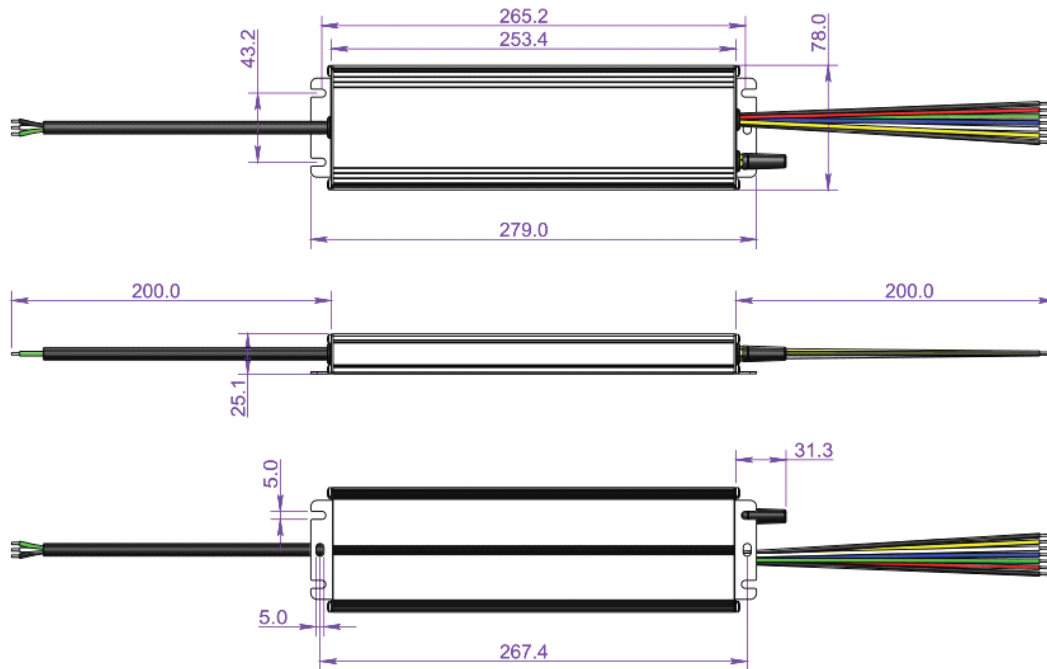
■ Features:

- Output constant Voltage
- Range: 100-277VAC
- Built-in active PFC function
- Efficiency up to 91.5%
- Protections: short circuit /over load /over temperature
- Cooling by free air convection; IP66 design for indoor or outdoor installation
- Dimming function: Wifi or Bluetooth wireless dim., can be controller by Mobile App or Smart speaker, like Google home or Amazon echo
- Adopt TUYA module, 8K Hz PWM output; Minimum dim level is 1%
- Different channels to be chosen, 1CH, 2CH, 3CH, 4CH, 5CH
- Suitable for intelligent LED lighting for all over the world

| X=1 , 2, 3, 4, 5 for DIM (DW); CCT(TW); RGB; RGBW; RGBW+CCT (RGBCW) | | |
|---|---------------------------------|--|
| Output | DC Voltage | 24V |
| | Voltage Tolerance | ±0.5V |
| | Voltage Regulation | <1% |
| | Rated current | CH1+CH2+CH3+CH4+CH5=8.33A |
| | Rated power | 200W |
| | Load Regulation | <1% |
| Input | Voltage Range | 100-277VAC |
| | Frequency Range | 47 - 63Hz |
| | Power Factor (Typ.) @ full load | PF≥0.98/ 230VAC (Full loading) |
| | THD (Typ.) @ full load | <15% |
| | Efficiency (Typ.) @ full load | 91.5% @230VAC 89% @120VAC |
| | AC Current (Max.) | 1.80A |
| | Inrush Current (Typ.) | 88A 140us@50%Ipeak |
| | Leakage current | <0.5mA |
| Protection | Short Circuit | Hiccup mode, recover automatically after fault condition is removed |
| | Over Load | ≤120% ,hiccup mode, recover automatically after fault condition is removed |
| | Over temperature | ≤100℃±10℃, shutdown output voltage, recover automatically after temperature drop |
| | Protection Class | II |
| Environment | Working TEMP. | -40~+60℃ (see below derating curve) |
| | Working Humidity | 20 - 95%RH ,non-condensing |
| | Storage TEM.,Humidity | -40 - +80℃, 10 - 95%RH |
| | TEMP.coefficient | ±0.03%/℃ (0 - 50℃) |
| | Vibration | 10~500Hz, 5G 10min./1 cycle,period for 60min. each along X,Y,Z axes |
| Safety & EMC | Safety standards | EN61347-1 EN61347-2-13 (EU) & UL8750 UL1310 (US) |
| | Withstand voltage | I/P-O/P:3.75KVAC I/P-FG:1.88KVAC O/P-FG:0.5KVAC (EU) & I/P-O/P:1.5KVAC(US) |
| | Isolation resistance | I/P-O/P: 100MΩ/500VDC/25℃/70%RH |
| | EMC Emission | EN55015 EN61000-3-2 EN61000-3-3 (EU) & FCC Part 15 B (US) |

| | | | |
|---------------|--|------------------------|---------|
| | EMC Immunity | EN61000-4-2,3,4,5,6,11 | EN61547 |
| Others | Net Weight | 1.2KG | |
| | Dimension | 279*78*25.1mm (L*W*H) | |
| | packing | | |
| Notes | <p>1. All parameters NOT specially mentioned are measured at 230VAC input , rated load and 25°C of ambient temperature.</p> <p>2. Tolerance: includes set up tolerance, line regulation and load regulation .</p> <p>3. The power supply is considered as a component that will be operated in combination with final Equipment. Since EMC performance will be affected by the complete installation, the final equipment manufactures must be-qualify EMC Directive on the complete installation again.</p> | | |

■ Mechanical Specification



※Input Rubber cable 3*1.0mm² (VDE approval), the Y/G cable connect with (FG) , Brown with AC (L), Blue with AC(N) (EU)
 Input SJOW Rubber cable 3*18AWG (UL approval), the green cable connect with (FG) ,Black with AC (L), White with AC(N) (US)

※Output cable to be connected to LED Light;

DIM (DW) dimming: Rubber cable

Black is output (V+) Positive, White is output (V-) negative

CCT (TW) dimming: 1015 electronic cable , (V+) 16AWG; (V-) 18AWG

Black is output (V+) Positive, While (CW-) and Yellow (WW-) are output (V-) negative

RGB dimming: 1015 electronic cable , (V+) 16AWG; (V-) 18AWG

Black is output (V+) Positive, Red (R-), Green (G-) and Blue (B-) are output (V-) negative

RGBW dimming: 1015 electronic cable , (V+) 16AWG; (V-) 18AWG

Black is output (V+) Positive, Red (R-), Green (G-) ,Blue (B-) , White (W-) are output (V-) negative

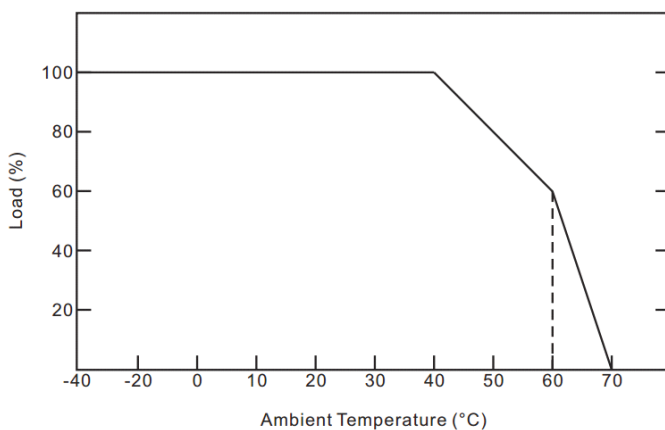
RGB+CCT dimming: 1015 electronic cable , (V+) 16AWG; (V-) 18AWG

Black is output (V+) Positive, Red (R-), Green (G-) ,Blue (B-) , While (CW-) and Yellow (WW-) are output (V-) negative.;

※Please make sure you connect these correctly ,otherwise your product will not work correctly and could be damaged.

Noe: there is external antenna at output side. Don't disassemble!

Derating Curve



※To extend their life, please refer to the Derating Curve and derate according to the temperature.

Dimming Operation

