



Class P TYPE HL SELV CE

RoHS



Features

Output:	Constant Voltage
Range:	100-277VAC
PFC design:	Built-in active PFC function
Efficiency:	up to 93.5%
Protections:	short circuit/ over load/ over temperature
Heat dissipation:	Cooling by free air convection
Waterproof performance:	Full protection aluminum housing, for dry, damp, wet locations; IP66
Dimming function:	DALI & PUSH 2 in 1 dimming, PWM output frequency 4KHz Stroboscopic exemption
Dimming range:	0-100%
NFC function	Fine tune the output voltage, write and read address
Application:	Suitable for LED lighting and moving sign applications
Warranty:	5 years warranty



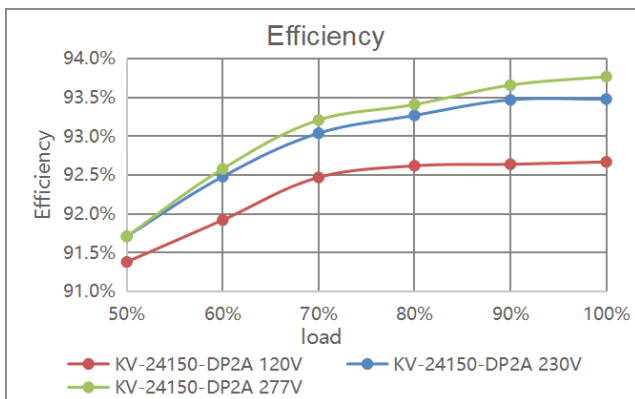
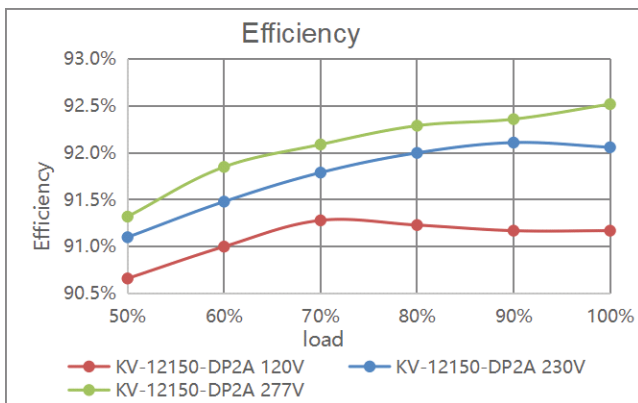
Specification

Model		KV-12150-DP2A	KV-24150-DP2A	KV-36150-DP2A	KV-48150-DP2A
Certificate		CE、ENEC、UL、FCC、SELV、DALI2			
Output	DC Voltage	12V (12-13.5Vadjust by NFC)	24V (24-26V adjust by NFC)	36V (36-38V adjust by NFC)	48V (48-50V adjust by NFC)
	Voltage Tolerance	±0.5V			
	Voltage Regulation	0.5%			
	Rated current	12.5A	6.25A	4.17A	3.13A
	Rated power	150W			
	Load Regulation	2%	1%	1%	1%
Input	Voltage Range	100-277VAC			
	Frequency Range	47 - 63Hz			
	Power Factor (Typ.) @ full	PF≥0.98@120VAC	PF≥0.97@230VAC	PF≥0.95@277VAC	
	THD(Typ.) @ full load	≤10%@120VAC	≤10%@230VAC	≤15%@277VAC	
	Efficiency(Typ.) @ full load	91%@120VAC	92.5%@120VAC	92.5%@120VAC	92.5%@120VAC
		92%@230VAC	93.5%@230VAC	93.5%@230VAC	93.5%@230VAC
		92%@277VAC	93.5%@277VAC	93.5%@277VAC	93.5%@277VAC
	AC Current (Max.)	1.7A			
	Inrush Current (Typ.)	38.4A, 50%, 510us @120VAC; 88A, 50% , 120us @230VAC 48A, 50% , 560us @277VAC			
Leakage current	<0.5mA				
Protection	Short Circuit	Hiccup mode, recover automatically after fault condition is removed			
	Over Load	≤120% ,hiccup mode, recover automatically after fault condition is removed			
	Over temperature	Ambient temp. over 55°C±10°C, output will be off; recovers automatically after temp. drops.			
Environment	Working TEMP.	-40~+60°C (see below derating curve)			
	Working Humidity	20 - 90%RH non-condensing			
	Storage TEM.,Humidity	-40 - +80°C,10 - 95% RH non-condensing			
	TEMP.coefficient	±0.03%/°C(0 - 50°C)			
	Vibration	10~500Hz, 5G 10min./1 cycle, period for 60min. each along X,Y,Z axes			
Safety & EMC	Safety standards	EN61347-1 EN61347-2-13 UL8750 CAN/CSA-C22.2 No. 250.13			
	Withstand voltage	I/P-O/P:3.75KVAC I/P-FG:1.5KVAC O/P-FG:0.5KVAC (Europe) I/P-O/P:1.80KVAC I/P-FG:1.8KVAC O/P-FG:1.8KVAC (America)			
	Isolation resistance	I/P-O/P: 100MΩ/500VDC/25°C/70%RH			
	EMC Emission	EN55015 EN61000-3-2,3 (≥50%load) FCC Part 15 Subpart B			
Others	Net Weight	1.05Kg	1.06Kg	1.05Kg	1.05Kg
	Dimension	279*78*25.1mm (L*W*H)			
	Packing	330*300*215mm 20pcs /CTN			

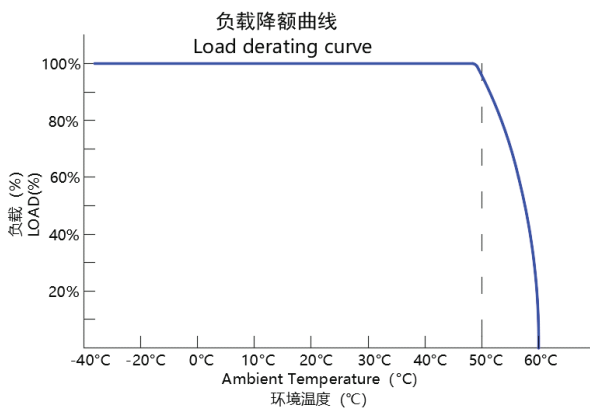


Notes	<ol style="list-style-type: none"> All America parameters NOT specially mentioned are measured at 120VAC input, rated load and 25°C of ambient temperature. All Europe parameters NOT specially mentioned are measured at 230VAC input, rated load and 25°C of ambient temperature. <ol style="list-style-type: none"> Tolerance: includes set up tolerance and load regulation .
--------------	--

Efficiency Curve (efficiency vs output load)

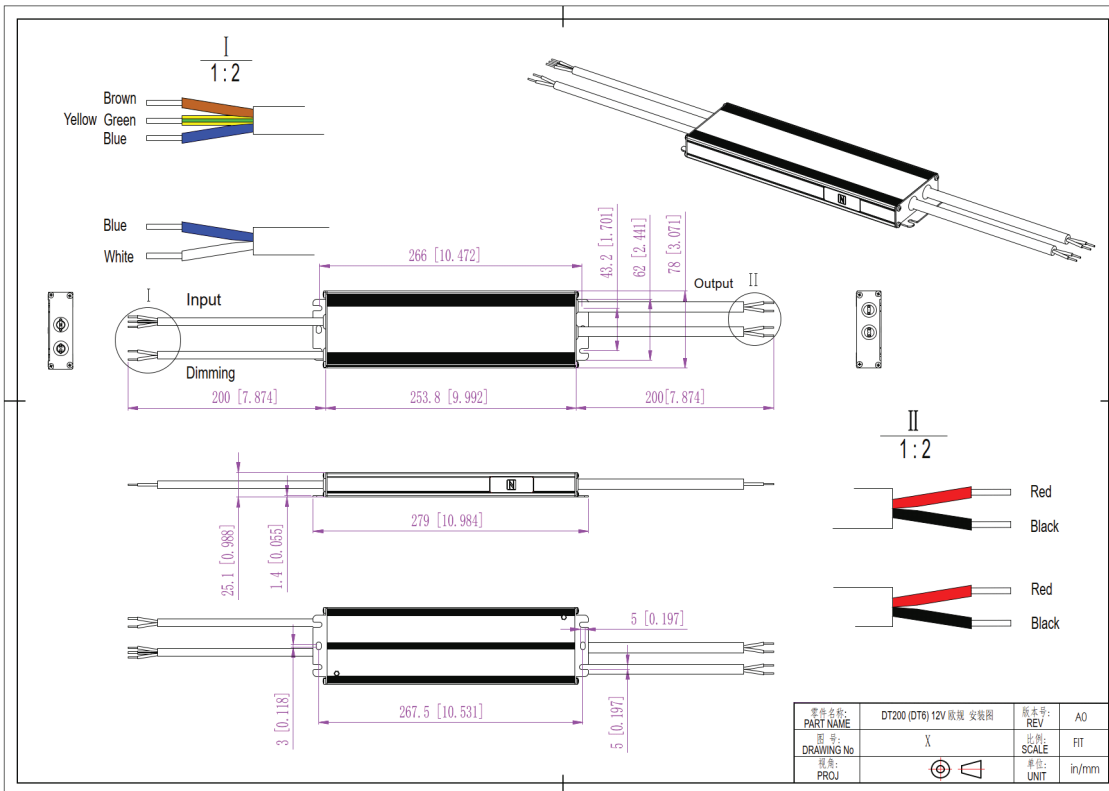


Derating Curve (output load vs TEMP.)

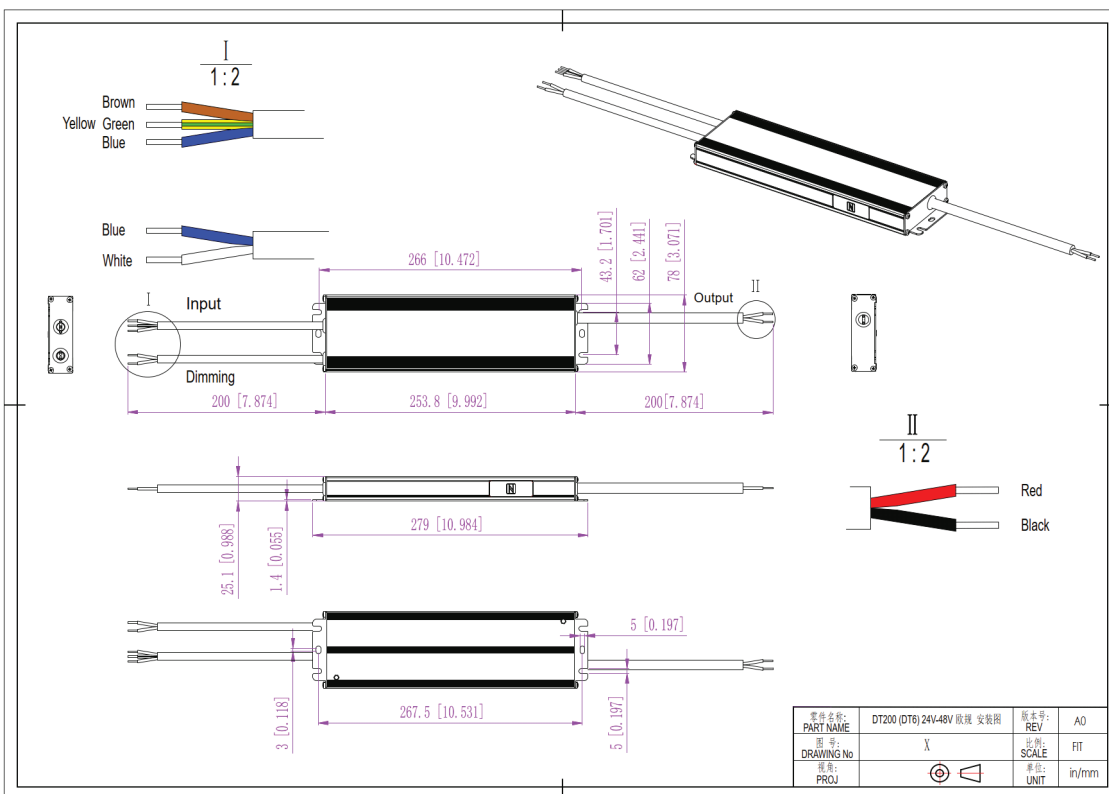


❖ To extend their life, please refer to the Derating Curve and derate according to the temperature.

Mechanical Specification



12V Version



24-48V Version

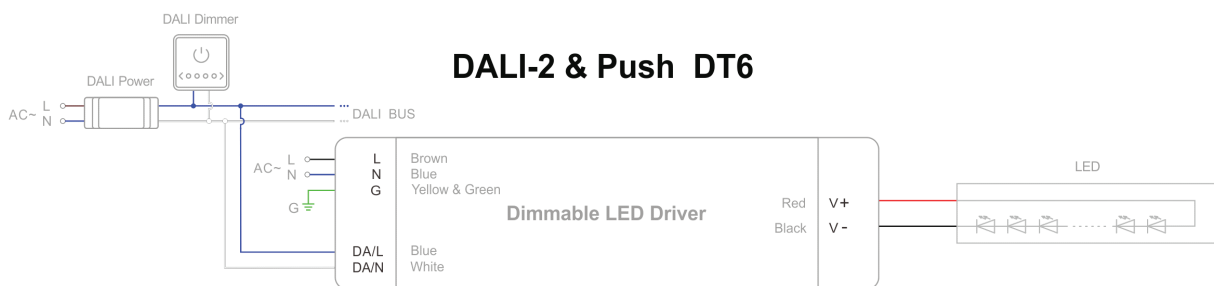
1. Input cable 3*1.0mm², the Brown cable to (L), the White cable to (N), and the Yellow & Green cable to (FG)
2. Output cable 2*1.5mm² (12V), 2*1.5mm² (24V/36V/48V), Red cable (+) to Positive side(+), Black cable (-) to Negative side (-).
3. Dimming cable 2*1.0mm², White DA/N and Blue DA/L (No polar) connected to the DALI BUS when use DALI function. White (N) is connected to AC (N) while Blue (L) is connected to Push dim switch dimmer(L) when use Push function.

Warm tips:

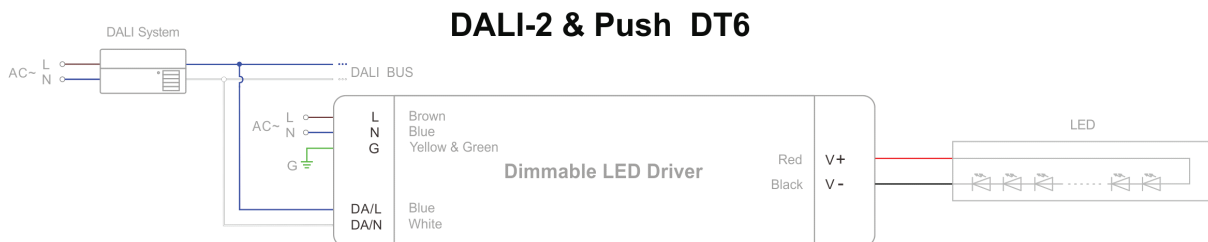
1. Any other requests for cable, we can customized.

Dimming Operation and Connecting Diagram

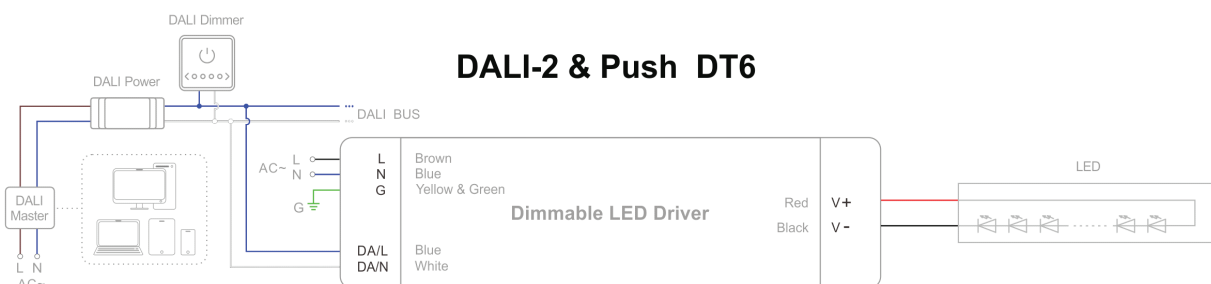
● Using DALI-2 dimming with DALI power and dimmer



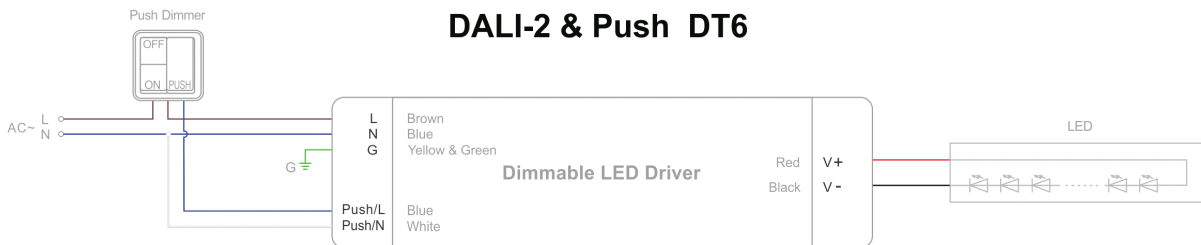
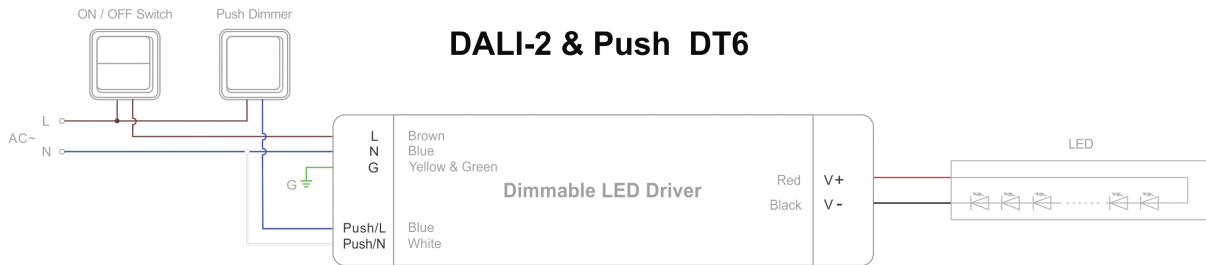
● Using DALI-2 dimming with DALI system and DALI bus



● Using DALI-2 dimming with intelligent device, DALI master and dimmer



- Using PUSH dimming with dimmer (on & off function)



NFC Function

1. RDM

For detailed operation, please refer to RDM instruction brought by the original manufacturer.

2. NFC device

For detailed operation, please refer to **Quick Guide of Using NFC device to Control Smart Devices** that Zhuhai Shengchang Electronics co.,ltd provided.

3. NFC APP

Use mobile phone to download “Set NFC” from the Apple store or Android Google play



For detailed operation, please refer to **Quick Guide of Using Set NFC to Control Smart Devices** that Zhuhai Shengchang Electronics co.,ltd provided.

Instruction

3. This driver should be installed by qualified and professional person.
4. Please make sure the driver is installed with adequate ventilation around it to allow for heat dissipation.
5. Ensure that wiring is correct before test in order to avoid light and power supply damage.
6. If driver Cannot work normally, don't maintain privately.