



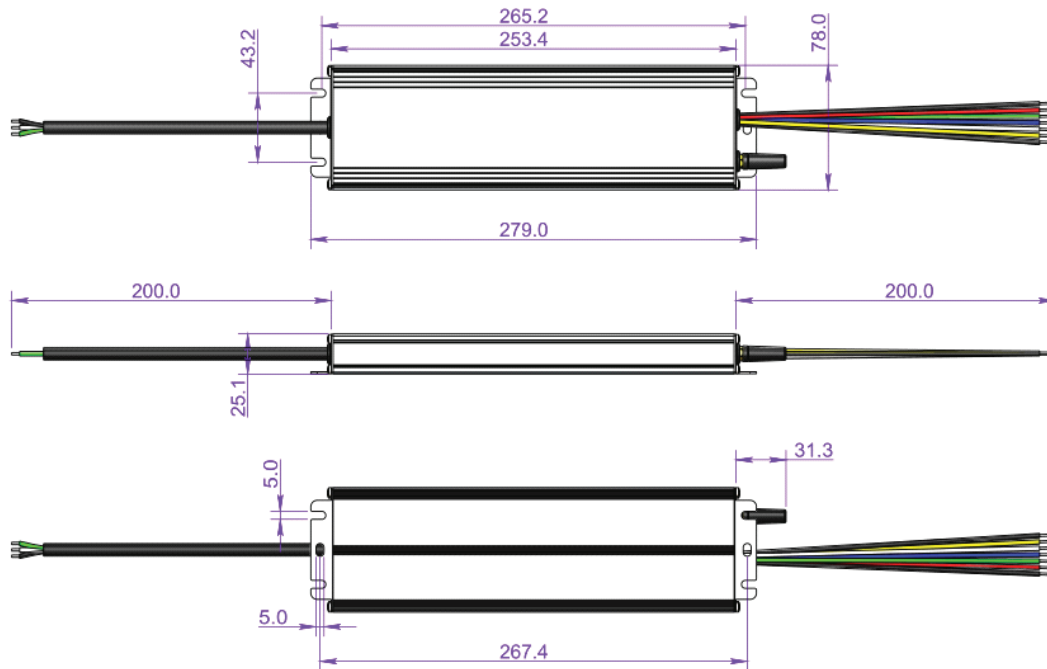
Features:

- Output constant Voltage
- Range: 100-277VAC
- Built-in active PFC function
- Efficiency up to 91.5%
- Protections: short circuit /over load /over temperature
- Cooling by free air convection; IP66 design for indoor or outdoor installation
- Dimming function: Wifi or Bluetooth wireless dim., can be controller by Mobile App or Smart speaker, like Google home or Amazon echo
- Adopt TUYA module, 8K Hz PWM output; Minimum dim level is 1%
- Different channels to be chosen, 1CH, 2CH, 3CH, 4CH, 5CH
- Suitable for intelligent LED lighting for all over the world

X=1 , 2, 3, 4, 5 for DIM (DW); CCT(TW); RGB; RGBW; RGBW+CCT (RGBCW)		
Output	DC Voltage	24V
	Voltage Tolerance	±0.5V
	Voltage Regulation	<1%
	Rated current	CH1+CH2+CH3+CH4+CH5=8.33A
	Rated power	200W
	Load Regulation	<1%
Input	Voltage Range	100-277VAC
	Frequency Range	47 - 63Hz
	Power Factor (Typ.) @ full load	PF≥0.98/ 230VAC (Full loading)
	THD (Typ.) @ full load	<15%
	Efficiency (Typ.) @ full load	91.5% @230VAC 89% @120VAC
	AC Current (Max.)	1.80A
	Inrush Current (Typ.)	88A 140us@50%Ipeak
	Leakage current	<0.5mA
Protection	Short Circuit	Hiccup mode, recover automatically after fault condition is removed
	Over Load	≤120% ,hiccup mode, recover automatically after fault condition is removed
	Over temperature	≤100℃±10℃, shutdown output voltage, recover automatically after temperature drop
	Protection Class	II
Environment	Working TEMP.	-40~+60℃ (see below derating curve)
	Working Humidity	20 - 95%RH ,non-condensing
	Storage TEM.,Humidity	-40 - +80℃, 10 - 95%RH
	TEMP.coefficient	±0.03%/℃ (0 - 50℃)
	Vibration	10~500Hz, 5G 10min./1 cycle,period for 60min. each along X,Y,Z axes
Safety & EMC	Safety standards	EN61347-1 EN61347-2-13 (EU) & UL8750 UL1310 (US)
	Withstand voltage	I/P-O/P:3.75KVAC I/P-FG:1.88KVAC O/P-FG:0.5KVAC (EU) & I/P-O/P:1.5KVAC(US)
	Isolation resistance	I/P-O/P: 100MΩ/500VDC/25℃/70%RH
	EMC Emission	EN55015 EN61000-3-2 EN61000-3-3 (EU) & FCC Part 15 B (US)

	EMC Immunity	EN61000-4-2,3,4,5,6,11	EN61547
Others	Net Weight	1.2KG	
	Dimension	279*78*25.1mm (L*W*H)	
	packing		
Notes	<p>1. All parameters NOT specially mentioned are measured at 230VAC input , rated load and 25°C of ambient temperature.</p> <p>2. Tolerance: includes set up tolerance, line regulation and load regulation .</p> <p>3. The power supply is considered as a component that will be operated in combination with final Equipment. Since EMC performance will be affected by the complete installation, the final equipment manufactures must be-qualify EMC Directive on the complete installation again.</p>		

■ Mechanical Specification



※Input Rubber cable 3*1.0mm² (VDE approval), the Y/G cable connect with (FG) , Brown with AC (L), Blue with AC(N) (EU)
 Input SJOW Rubber cable 3*18AWG (UL approval), the green cable connect with (FG) ,Black with AC (L), White with AC(N) (US)
 ※Output cable to be connected to LED Light;

DIM (DW) dimming: Rubber cable

Black is output (V+) Positive, White is output (V-) negative

CCT (TW) dimming: 1015 electronic cable , (V+) 16AWG; (V-) 18AWG

Black is output (V+) Positive, While (CW-) and Yellow (WW-) are output (V-) negative

RGB dimming: 1015 electronic cable , (V+) 16AWG; (V-) 18AWG

Black is output (V+) Positive, Red (R-), Green (G-) and Blue (B-) are output (V-) negative

RGBW dimming: 1015 electronic cable , (V+) 16AWG; (V-) 18AWG

Black is output (V+) Positive, Red (R-), Green (G-) ,Blue (B-) , White (W-) are output (V-) negative

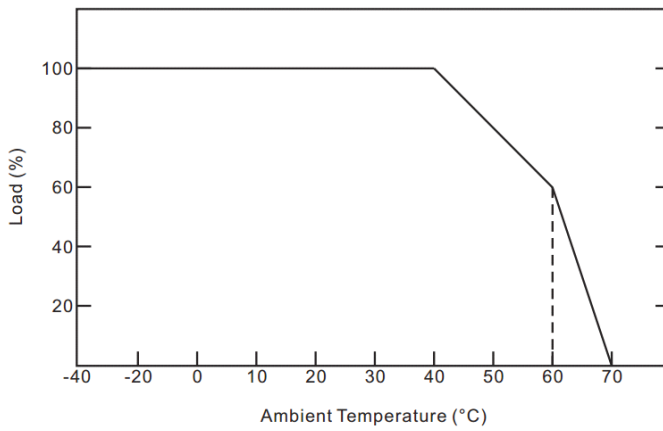
RGB+CCT dimming: 1015 electronic cable , (V+) 16AWG; (V-) 18AWG

Black is output (V+) Positive, Red (R-), Green (G-) ,Blue (B-) , While (CW-) and Yellow (WW-) are output (V-) negative.;

※Please make sure you connect these correctly ,otherwise your product will not work correctly and could be damaged.

Noe: there is external antenna at output side. Don't disassemble!

Derating Curve



※To extend their life, please refer to the Derating Curve and derate according to the temperature.

Dimming Operation

