

**Features :**

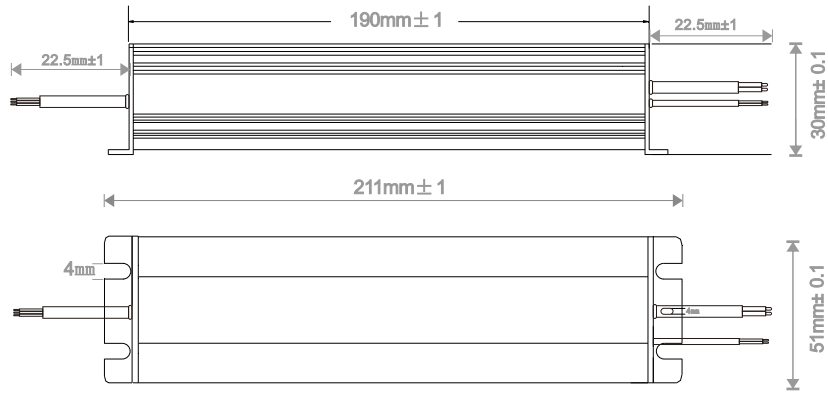
- 100-264VAC
- Protection: Short circuit/overload/overvoltage
- Working temperature with 60°C
- Cooling by free air convection
- 100% full load burn-in test
- 3 years warranty
- Support: DALI

SPECIFICATION

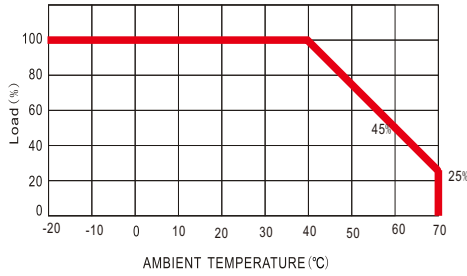
CE RoHS BIS SELV IP67

	Model	HRSW-40-12	HRSW-40-24
Output	DC Voltage	12V	24V
	Voltage Tolerance	±0.5V	
	Rated Current	0 – 3.3A	0 – 1.7A
	Rated Power	40W	40W
	Ripple & Noise	150mVp-p	200mVp-p
Input	Voltage Range	100-264VAC	
	Frequency Range	50 – 60HZ	
	Power Factor	PF ≥ 0.6/220VAC (Full loading)	
	Full Load Efficiency(Typ.)	82%	83%
	AC Current (Max.)	0.61A	0.58A
	Leakage current	<0.5mA/260VAC	
	Inrush current	≤40A	
Protection	Short Circuit	Protection type: Hiccup mode, recovers automatically after fault condition is removed.	
	Over Load	Hiccup mode, recovers automatically after fault condition is removed	
	VIBRATION	10-500Hz 2G10min	
	BURNT-IN TEST	Input voltage: 220V 50Hz rated output current 25°C Burn-in 2h	
Environment	Over temperature	100°C±10°C shut down o/p voltage, re-power on to recover	
	Working TEMP.	-20 ~ + 50°C	
	Working Humidity	20~60%RH, non-condensing	
	Storage TEM., Humidity	-20~+ 85%, 10~95%RH	
	START RISE HOLD TIME	1500ms, 20ms, 50ms/230VAC at full load	
Safety & EMC	Vibration	10 – 500Hz, 5G 12min./1 cycle, period for 60min. each along X, Y, Z axes.	
	Safety standards	CE Mark	
	Withstand voltage	I/P – O/P: 1.5KVAC I/P – GND: 1.5KVAC	
	EMC Immunity	EN55015:2013; EN61547:2009; EN61000-3-2:2014; EN61000-3-3:2013	
Others	Weight	0.35kg	
	Dimension	211x51x30mm (LxWxH)	
	Packing	30pcs/CTN	
Notes	<ol style="list-style-type: none"> 1. All parameters NOT specially mentioned are measured at 230VAC input, rated load and 25°C of ambient temperature. 2. Tolerance: includes set up tolerance, line regulation and load regulation. 3. The power supply is considered as a component that will be operated in combination with final Equipment. Since EMC performance will be affected by the complete installation, the final equipment manufacturers must be qualified EMC Directive on the complete installation again. 		

Mechanical Specification



Derating Curve



Package

DIMENSION	211x51x30 (mm) (L×W×H)
CARTON QUANTITY	30PCS/Carton
CARTON SIZE	40.2x24.7x20.24CM)
WEIGHT	350g /PCS

Dali wiring Diagram

