

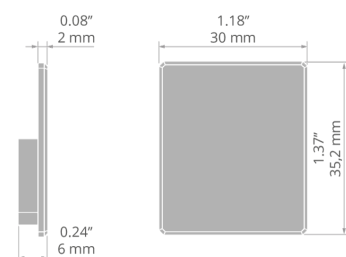
APPLICATION

- aesthetic finish and protection of the interior of the lighting fixture

MOUNTING

- to the profile, by pressing

TECHNICAL DRAWING

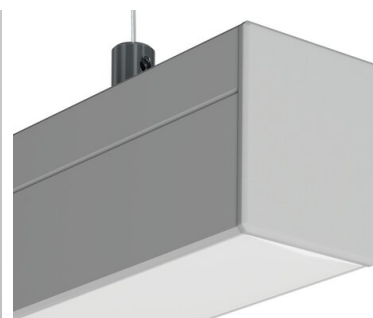
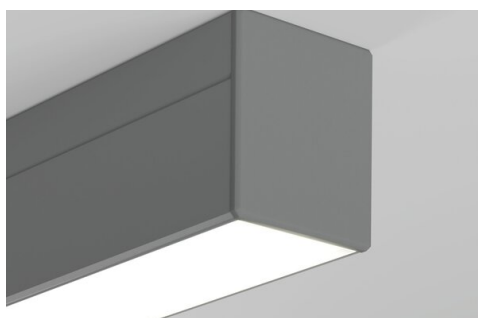
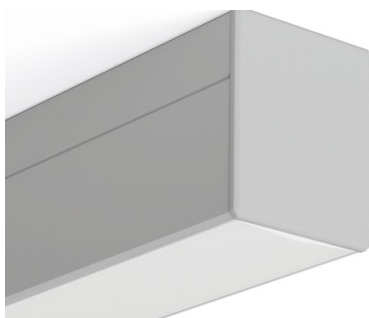


TECHNICAL SPECIFICATIONS

| | |
|----------|-------------|
| Material | ABS |
| Color | ■ gray |
| Shape | rectangular |
| Height | 35 mm |

| | |
|---------------------------------------|-------|
| Width | 30 mm |
| Corrosion resistance | yes |
| Corrosion resistance at high salinity | yes |

SAMPLE PROJECTS



End cap 3035

Ref. C24273C02

RELATED PROFILES > ARCHITECTURAL



3035
A18039