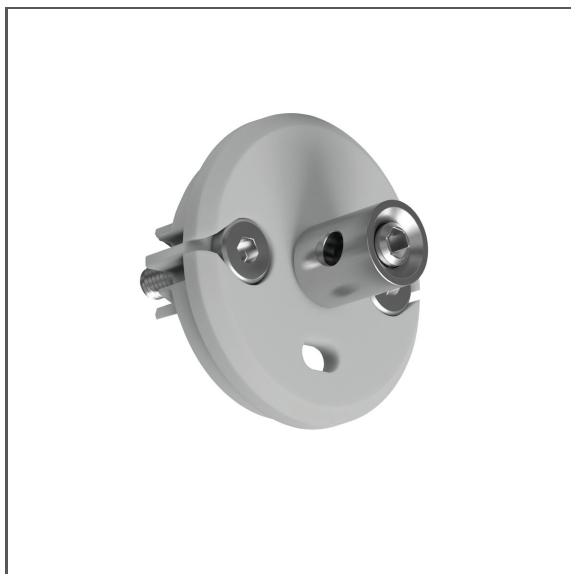


End cap with hole JAZ-DUO-N-OTW

Ref. C28224C02TW, C28224L10TW



- Cable exit hole

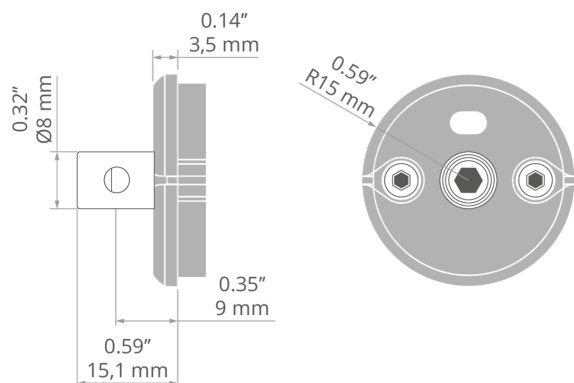
APPLICATION

- aesthetic finish and protection of the interior of the lighting fixture

MOUNTING

- to the profile, using bolts (included)

TECHNICAL DRAWING

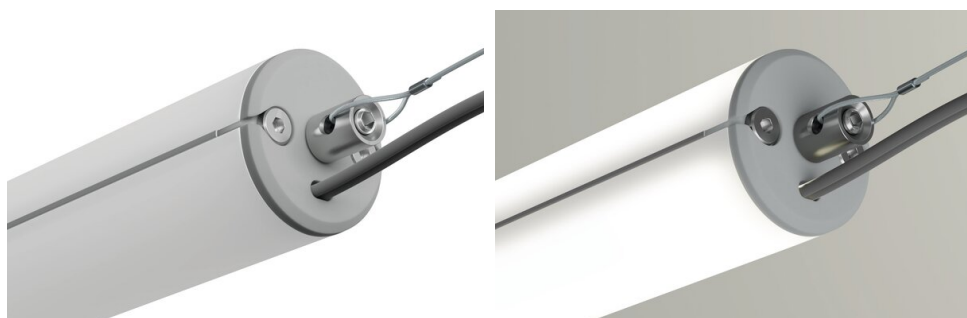


TECHNICAL SPECIFICATIONS

Material	ABS, stainless steel
Height	15.1 mm
Width	15 mm
Hole	yes

Color	Ref
■ gray	C28224C02TW
□ white	C28224L10TW

SAMPLE PROJECTS



End cap with hole JAZ-DUO-N-OTW

Ref. C28224C02TW, C28224L10TW

RELATED PROFILES > ARCHITECTURAL



JAZ-DUO
A00788