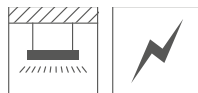


Electricity conductive end cap JAZ-DUO-N

Ref. C28224C02P, C28224L10P

Ref. arch 42632, 42664



- Crosswise suspension on a rod
- Single pole conductivity possible
- Possibility to rotate the fixture after installation

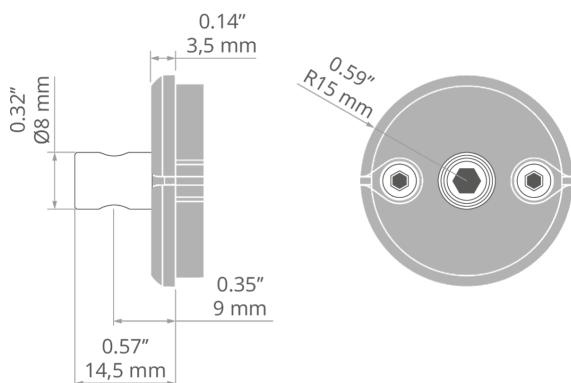
APPLICATION

- aesthetic finish and protection of the interior of the lighting fixture

MOUNTING

- to the profile, using bolts (included)
- to the rod with a pressure screw

TECHNICAL DRAWING



TECHNICAL SPECIFICATIONS

Material	ABS, stainless steel
Color	■ gray
Height	15 mm
Width	14.5 mm
Maximum current	3.5 A

Loss of voltage	0.1 V
Working temperature	55°C
Lifting capacity	10 kg
Conducting electricity	yes

Electricity conductive end cap JAZ-DUO-N

Ref. C28224C02P, C28224L10P

Ref. arch 42632, 42664

RELATED PROFILES > ARCHITECTURAL



JAZ-DUO

A00788

Ref. arch C0788

RELATED ACCESSORIES > OTHER RELATED ACCESSORIES > WIRES AND RODS



ROD

FI-3 1m

42501



WIRE

CU FI 0,95 mm

Z70240

Ref. arch 70240



ROD

FI-3-ALU

C28196A01, C28196A07

Ref. arch 42526, 42527, 42528, 42529