

# Fastener K-10-PP

Ref. C28235N00

Ref. arch 42670

- Crosswise suspension on a rod
- Minimum dimensions

## APPLICATION

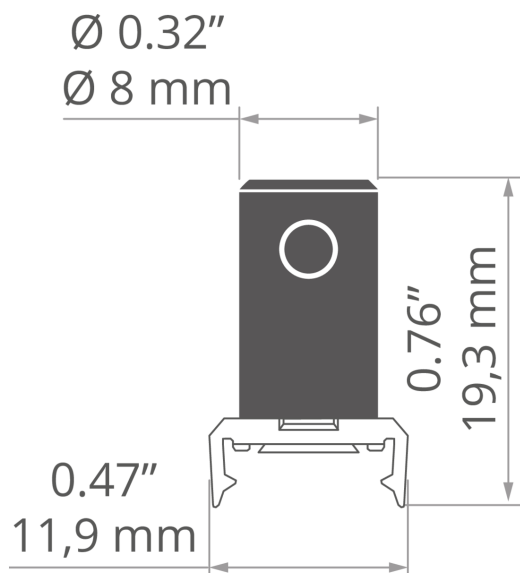
- for suspending LED lighting fixtures

## MOUNTING

- to the lighting fixture, using a mounting bracket
- to the rod with a pressure screw
- easy installation and deinstallation of lighting fixtures by snapping in and out



## TECHNICAL DRAWING



## TECHNICAL SPECIFICATIONS

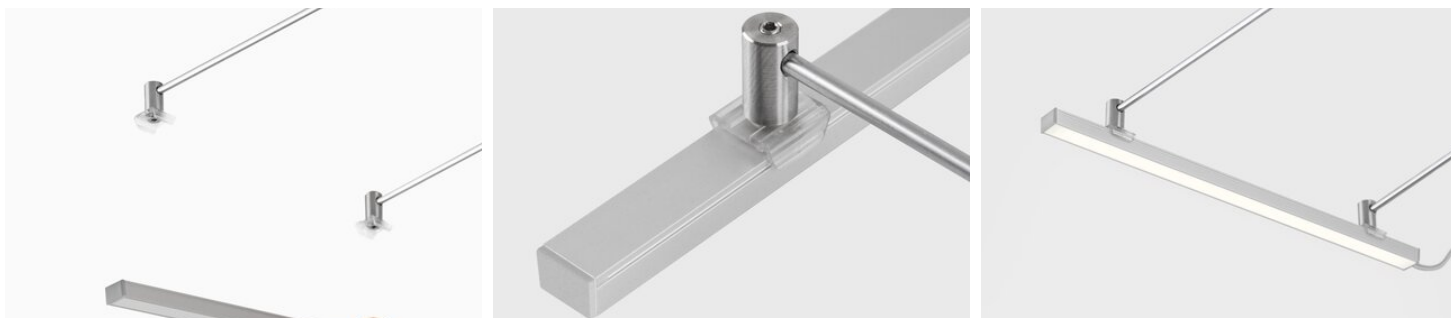
Material	stainless steel, PC	Height	11.9 mm
Color	■ silver	Diameter	8 mm
Width	19.3 mm	Lifting capacity	9 kg

# Fastener K-10-PP

Ref. C28235N00

Ref. arch 42670

## SAMPLE PROJECTS



## RELATED PROFILES > MINIMALISTIC

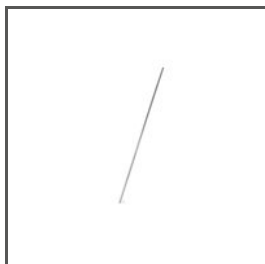


**PIKO**  
A08288  
Ref. arch B8288

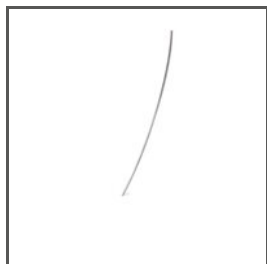


**PIKO-ZM**  
A01168  
Ref. arch C1168

## RELATED ACCESSORIES > OTHER RELATED ACCESSORIES > WIRES AND RODS



ROD  
**FI-3 1m**  
42501



ROD  
**FI-3 53 cm**  
C24528N00  
Ref. arch 1528



ROD  
**FI-3-ALU**  
C28196A01, C28196A07  
Ref. arch 42526, 42527, 42528, 42529