

# Fastener LIN

Ref. C28178N00

Ref. arch 42294



- Lengthwise suspension on a wire
- Installation on any type of surface
- Minimum dimensions

## APPLICATION

- for suspending LED lighting fixtures

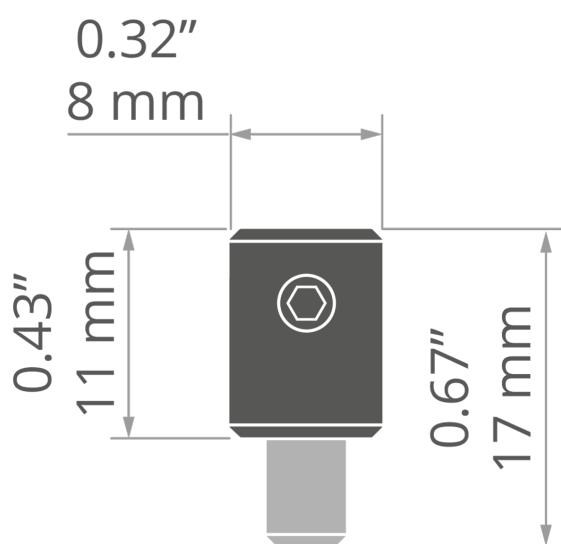
## MOUNTING

- to the fixture or to the surface, screwed with a screwdriver
- can be screwed e.g. to drywall, aluminum, wood, fiberboard or plastics
- the lighting fixture can be suspended by the cover

## ADDITIONAL INFORMATION

- in plastic or wooden surfaces, drill a fi-3 hole, in aluminum surfaces a fi-3,5 hole

## TECHNICAL DRAWING



## TECHNICAL SPECIFICATIONS

Material	stainless steel
Color	■ silver
Width	8 mm

Height	17 mm
Lifting capacity	20 kg

# Fastener LIN

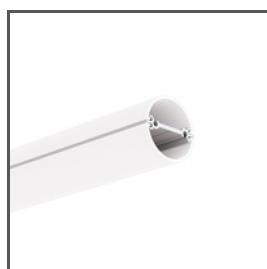
Ref. C28178N00

Ref. arch 42294

## SAMPLE PROJECTS



## RELATED PROFILES > ARCHITECTURAL

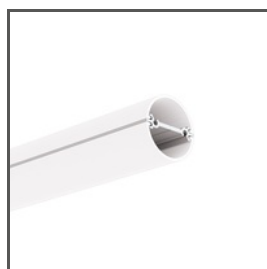


### JAZ-DUO

A00788

Ref. arch C0788

## RELATED ACCESSORIES > OTHER RELATED ACCESSORIES > ARCHITECTURAL



PROFILE

### JAZ-DUO

A00788

Ref. arch C0788