

# Electricity conductive end cap OLEK

Ref. C28212C02

Ref. arch 42619



- Single pole conductivity possible
- Transverse suspension on a rod or cable
- Possibility to rotate the fixture after installation

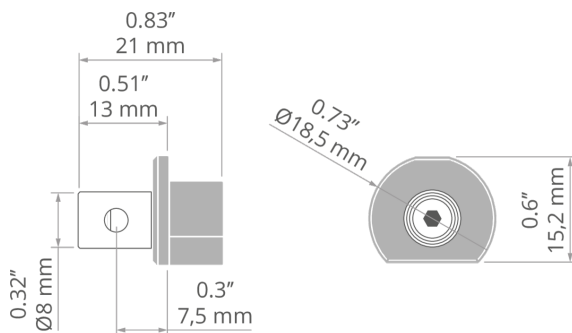
## APPLICATION

- aesthetic finish and protection of the interior of the lighting fixture

## MOUNTING

- to the profile, by pressing
- to a rod or cable, using a set bolt

## TECHNICAL DRAWING



## TECHNICAL SPECIFICATIONS

Material	ABS	Loss of voltage	0.1 V
Color	■ gray	Working temperature	55°C
Shape	semicircular	Lifting capacity	5.5 kg
Height	15 mm	Lighting angle adjustment up to	360°
Width	21 mm	Conducting electricity	yes
Maximum current	3.5 A		

# Electricity conductive end cap OLEK

Ref. C28212C02

Ref. arch 42619

## RELATED PROFILES > UNIVERSAL



### OLEK

A08505

Ref. arch B8505

## RELATED ACCESSORIES > OTHER RELATED ACCESSORIES > WIRES AND RODS

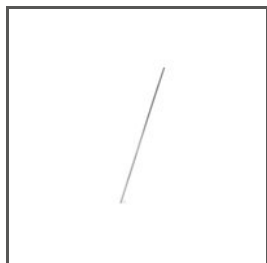


LINKA STALOWA

### FI-1 1m

C24522N00

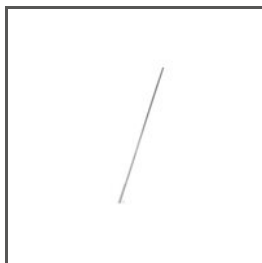
Ref. arch 1397



ROD

### FI-3 1m

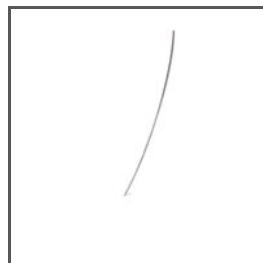
42501



ROD

### 100 PUSZ 1 m

42518



ROD

### FI-3 53 cm

C24528N00

Ref. arch 1528



WIRE

### CU FI 0,95 mm

Z70240

Ref. arch 70240



ROD

### FI-3-ALU

C28196A01, C28196A07

Ref. arch 42526, 42527, 42528, 42529