

Mounting bracket PDS-STN

Ref. C24190N00

Ref. arch 24190

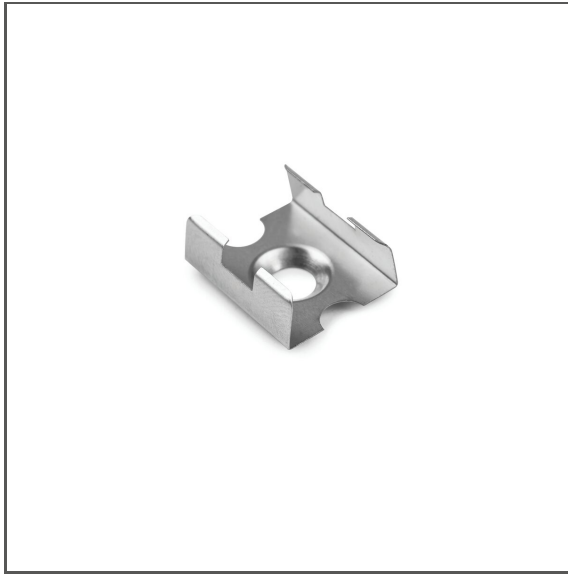
- High mechanical and weather resistance

APPLICATION

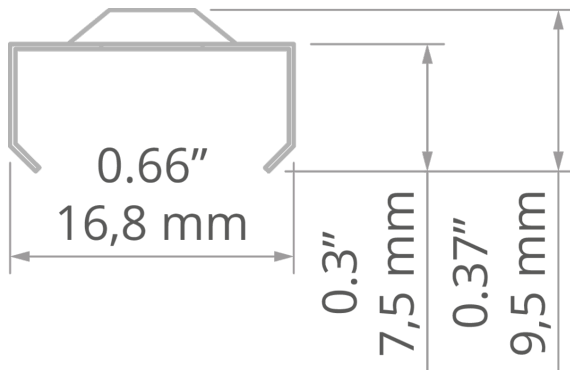
- for mounting LED lighting fixtures

MOUNTING

- to the surface, using a properly selected screw
- to the lighting fixture, with hooks
- easy installation and deinstallation of lighting fixtures by snapping in and out



TECHNICAL DRAWING



TECHNICAL SPECIFICATIONS

Material	stainless steel
Color	■ silver
Width	16.8 mm

Height	9.5 mm
Lifting capacity	5 kg

Mounting bracket PDS-STN

Ref. C24190N00

Ref. arch 24190

RELATED PROFILES > ARCHITECTURAL



REGULATOR

A18068

Ref. arch B468+43

RELATED PROFILES > UNIVERSAL



45-16

A08504

Ref. arch B8504



MICRO-ALU

A01888

Ref. arch B1888



MICRO-PLUS

A02966

Ref. arch C2966



PDS-4-PLUS

A01263

Ref. arch C1263



TAMI

A05390

Ref. arch B5390



TAPO

A01919

Ref. arch C1919