



Cod. / Κωδ. : F6011003-006

Model: CT420

Thank you for using RF2.4G Series led controller. With advanced micro-computer control technology and the 2.4G transmission, Led 2.4Ghz RGBW Controller and remote/Wi-Fi gateway provide higher-performance light control functions. The controller is designed to control RGBW color change of full color LED light. The remote support 4 groups control individually, with touch sensitive key and color ring, it is fashionable and easy to use.

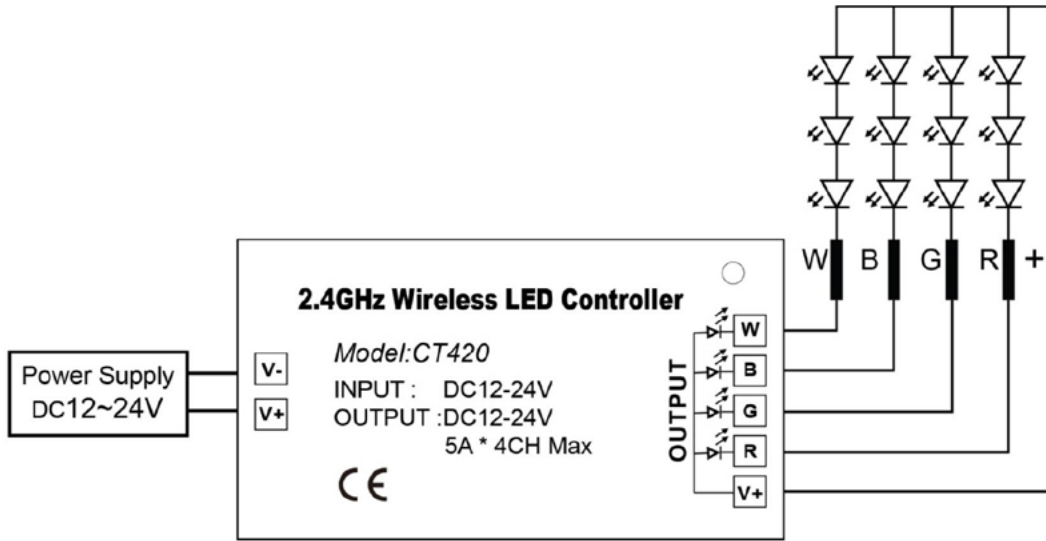
FEATURE

- 4 constant voltage output (R/G/B/W), each channel can drive 5A max.
- Using 2.4G RF remote control. Long distance transmission.
- 4 groups remote control individually.
- Touch sensitive buttons and colorful color-ring.
- Pre-loaded with 17 modes (scenes).
- Remote is stylish and easy to use.
- Compatible with Led strip light or constant voltage panel light, etc.

TECHNICAL PARAMETER

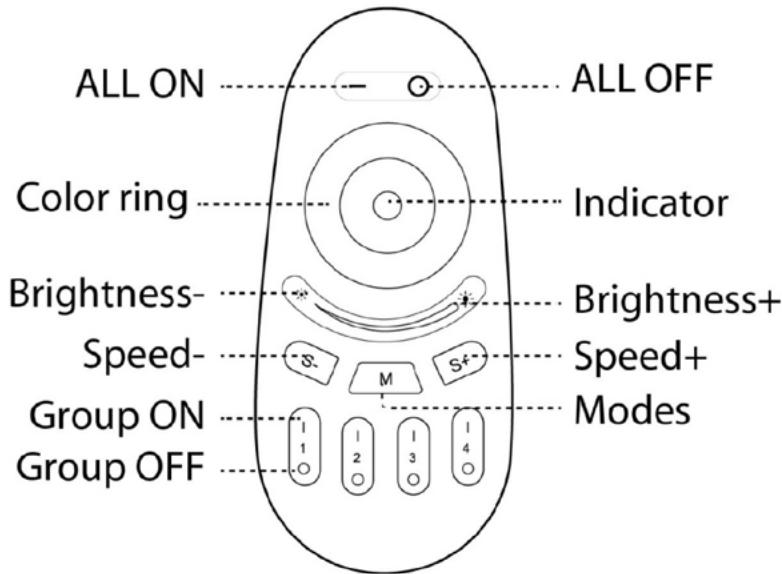
Channels	4 channels
Input Voltage	12-24V DC
Output Voltage	12-24V DC
Output Current	Max 5A * 4CH
Color modes	17 modes
Protection	Short-circuit protect, Over current protect, Over temper protect.
Dimension	168*51*22 mm
N.G	105g

Wiring Diagram



REMOTE INSTRUCTION

Remote model: RC16



- **ALL ON/ALL OFF:** Press the button to turn on or turn off all led controller which be matched to this remote.
- **Color ring:** Touch the color ring to enter static color mode, in this mode, slide your finger on the color ring, choose the color you need optionally, and the color ring is only effective for the body finger.
- **Brightness-/Brightness+:** Adjust the led lights brightness.
- **Speed-/Speed+:** Increase or decrease the speed of light color flashing.
- **Group ON/Group OFF:** Press the button to turn on or turn off the lights which be

matched to this group.

- **Modes:** Change the pre-loaded modes.

1. Matching code and grouping:

The remote control can be used after the remote match the code with the LED RGBW controller, the method is as following:

Choose the led controller that you want to match, then turn off the power for 10 seconds, then turn on the power, within 5 seconds when you turn on the power, press the button "Group ON" of the group you want to assign, the lights connecting to the led controller will flick for 3 times, then this group is match successfully. The other groups can also be set by the same method.

Remark: One led controller can only match one group in the same remote, but one remote group can match countless led controllers, and one led controller can match 10 remotes.

2. Clear the code and regroup:

if the room layout are changed, or you want to make a little adjustment upon your fond, then you may want to change the previous groups, before you change the groups, you need to clear the code, the method is as following:

Choose the led controller you want to clear the code, turn off the power for 10 seconds, then turn on the power again, within 5 seconds when you turn on the power of the led controller, press the button "ALL ON" for 6 times, the lights connecting to the led controller will flick for 6 times very quickly then the code is cleared successfully.

After the code is cleared, the method of setting the group is totally the same as the principle of "matching the code and grouping"

If you want to dim all lights controlled by remote at once, press the button "ALL ON" firstly; if you want to do this with individual light, press the associated button "Group on" firstly, then choose the mode, color or brightness.

Attention: When install the batteries, please don't touch the color ring or any key, and use the remote 5 seconds later after batteries installed. If the touch key or ring is low-sensitive, please reinstall the batteries in the right way.

MODE LIST

1	Red Fade	10	Green Strobe
2	Green Fade	11	Blue Strobe
3	Blue Fade	12	White Strobe
4	RG Fade	13	RG Strobe
5	RB Fade	14	GB Strobe
6	GB Fade	15	RB Strobe
7	RGB Fade	16	RGB Strobe
8	Rainbow changing	17	7 colors Strobe
9	Red Strobe		

Wi-Fi Gateway Control

The LED RGBW controller can also connect with Wi-Fi Gateway (Model: WiFi-203), so you can use your mobile smart phone or iPad to control the lightings. More information about the smart lighting system, please see the WiFi-203 specification.

