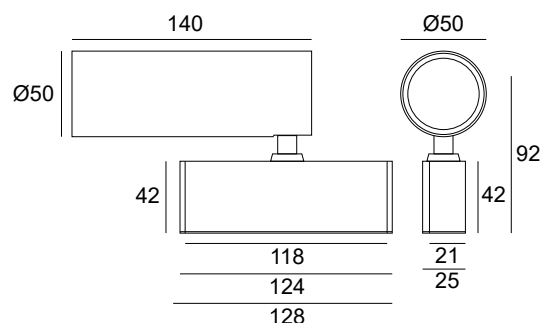
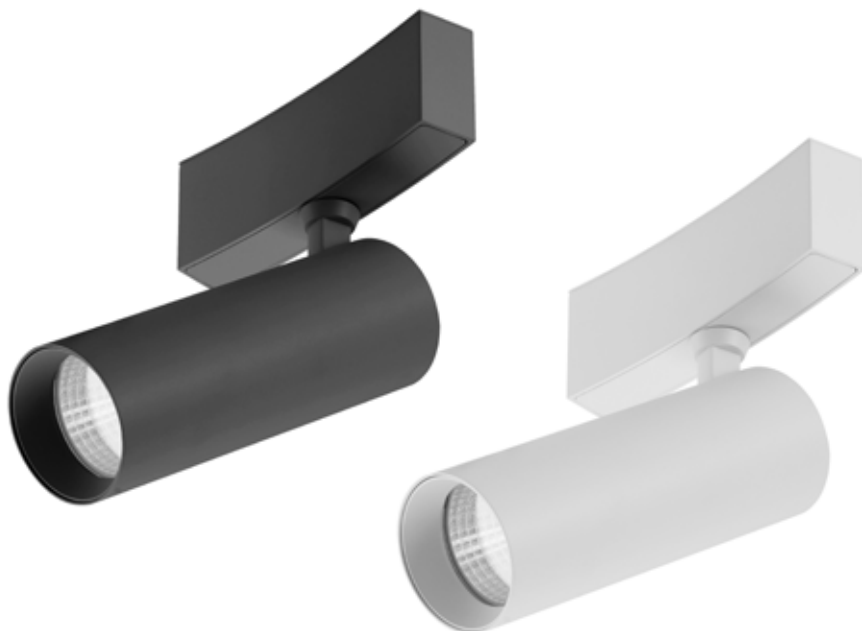


SPOT50 MAGNETIC CURVY 2C 10W 36D RA90 24V



ΚΩΔΙΚΟΣ / CODE

- ≡4010103-139 (3000K SANDY BLACK)
- ≡4010103-140 (3000K SANDY WHITE)
- ≡4010103-141 (4000K SANDY BLACK)
- ≡4010103-142 (4000K SANDY WHITE)



General information

Application	Indoor / For Magnetic Curved Track
Direction of mounting	Ceiling / Wall
Available colors	Sandy black / Sandy white
Material	Aluminium
Visible dimensions (L×W×H)	191 x 50 x 107mm
IP classification	IP20
Life time	30000 hrs
Warranty	3 years
Origin	China

Illuminant

Output	685Lm
CCT	3000K / 4000K
LED	OSRAM
CRI	Ra90
Beam angle	36°
Wattage	10W
Voltage	24 VDC
Dimmable option	TRIAC, 0/1-10V, DALI