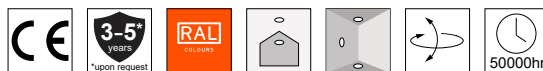


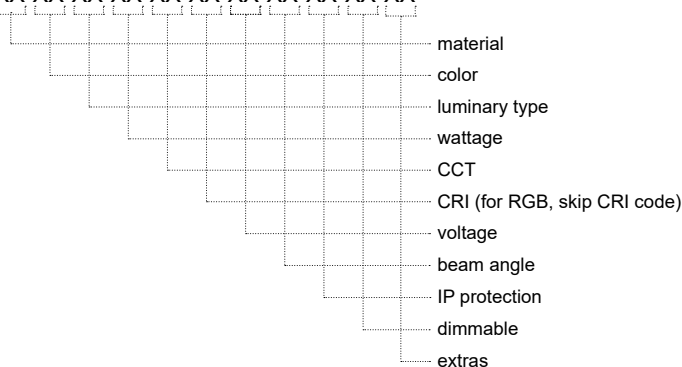
TUBE 2 BASE R60×160



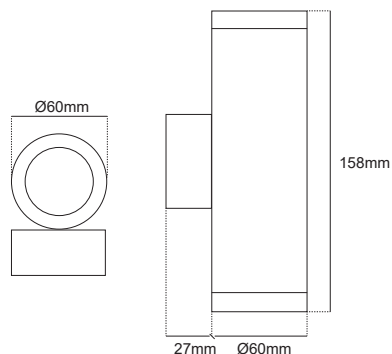
ΠΕΡΙΕΧΟΜΕΝΑ / CONTENTS

datasheet	1
manual	3

SKU: **TUBE2B60**- XX-XX-XX-XX-XX-XX-XX-XX-XX-XX



TUBE 2 BASE R60×160 (TUBE2B60-) / Datasheet



GENERAL INFORMATION

Application	Outdoor / Surface mounted
Direction of mounting	Wall
LED type	LED / GU10
Life time	50000 hrs
Warranty	3-5 years (*5 years upon request)
Origin	Greece

TUBE 2 BASE R60×160 / Datasheet

Material	Color	Luminary type	Wattage	CCT	CRI	Voltage/Current
Aluminium (01)	Anodised (AN)	GU10 (230VAC) (GU1) *	3W (3W)	2700K (27K)	Ra80 (80)	12VDC (V1)
Inox (02)	Black (BL)	GU5.3 (12AC/DC) (GU5) *	4W (4W)	3000K (30K)	Ra90 (90)	24VDC (V2)
Brass (03)	White (WH)	LED (1L)	5W (5W)	4000K (40K)		230VAC (V3)
PVC (04)	RAL colors (RL)		6W (6W)	5000K (50K)		12/24V (V4)
	Patina (PT)		7W (7W)	6000K (60K)		350mA (V5)
			8W (8W)	(R)/(G)/(B)/(A)		500mA (V6)
			9W (9W)	RGB (C1)		
			10W (10W)			
			15W (15W)			

* Wattage, CCT, CRI, Voltage, Beam angle and Dimmable options are not available for GU10 and GU5.3

Beam angle	IP	Dimmable	Extras
Diffuse (DF)	IP65 (65)	Yes (D)	Shadow (SH)
3° (3D)	IP67 (67)	No ()	Honeycomb (HC)
8° (8D)			none ()
15° (15D)			
20° (20D)			
35° (35D)			
45° (45D)			
60° (60D)			
80° (80D)			

Δημιουργία Κωδικού προϊόντος / Product Code generator

TUBE2B60- material - color - luminary type - wattage - CCT - CRI - voltage/current - beam angle - IP - dimmable - extras

EXAMPLE:

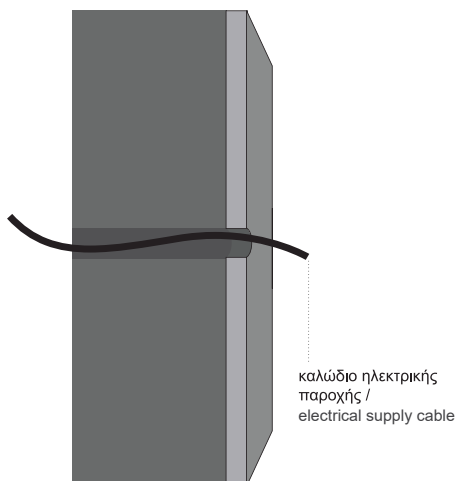
TUBE2B60 - 01-BL-1L-3W-27K-90-V1-15D-65-D-SH-HC

for TUBE 2 BASE R60×160, aluminium, black, LED, 3W, 2700K, Ra90, 12VDC, 15°, IP65, dimmable, shadow and honeycomb

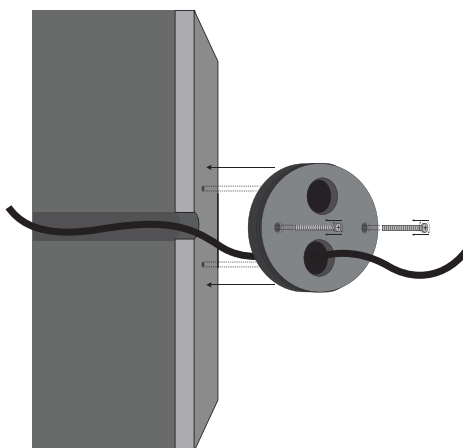


TUBE 2 BASE R60×160 / Manual

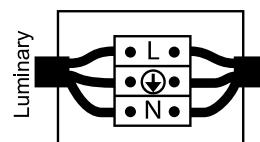
1.



2.



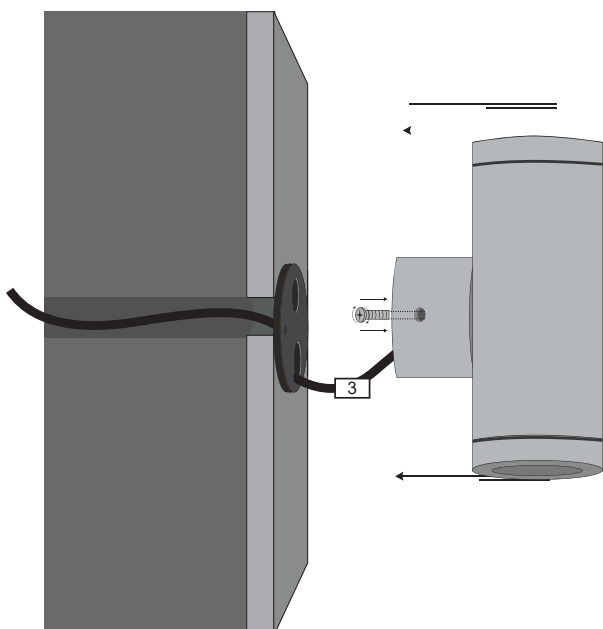
3.



Συνδέστε το καλώδιο του φωτιστικού με την ηλεκτρική παροχή. / Connect the cable of the luminaire with the electrical supply.

4.

Εφαρμογή στον τοίχο / Application on the wall



5.

Εφαρμόστε το φωτιστικό στην τοποθετημένη βάση και βιδώστε το πάνω της με δεξιόστροφη περιστροφή μέχρι να σταθεροποιηθεί. / Apply the lamp to the mounted base and tighten it with a clockwise rotation until it is firmly stabilized on the base.

