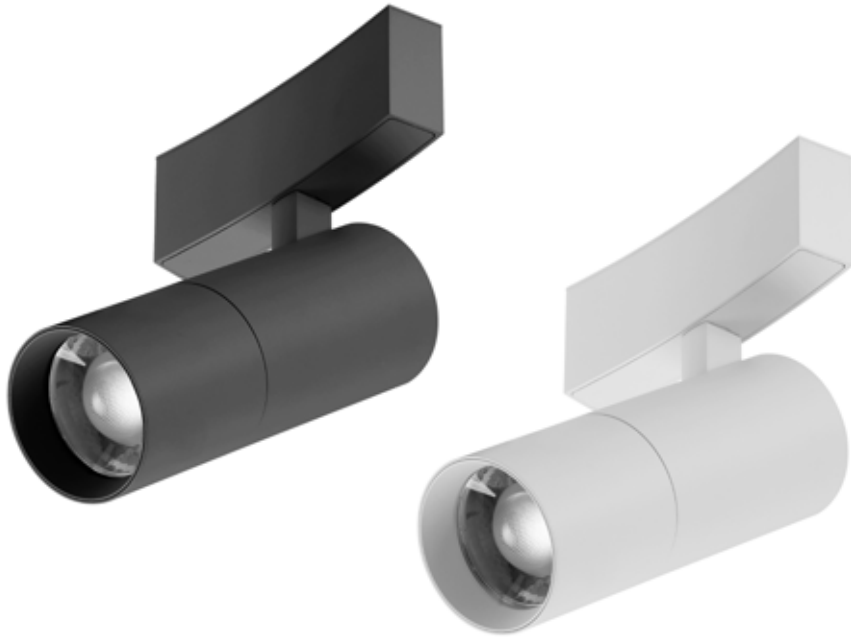
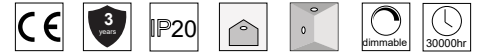
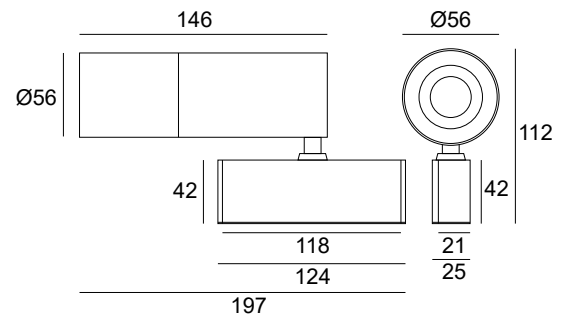


# ZOOM55 MAGNETIC CURVY 2C 10W 20-60D RA90 24V



## ΚΩΔΙΚΟΣ / CODE

- ≡4010103-143 (3000K SANDY BLACK)
- ≡4010103-144 (3000K SANDY WHITE)
- ≡4010103-145 (4000K SANDY BLACK)
- ≡4010103-146 (4000K SANDY WHITE)



### General information

Application	Indoor / For Magnetic Curved Track
Direction of mounting	Ceiling / Wall
Available colors	Sandy black / Sandy white
Material	Aluminium
Visible dimensions (L×W×H)	197 x 56 x 112mm
IP classification	IP20
Life time	30000 hrs
Warranty	3 years
Origin	China

### Illuminant

Output	812Lm
CCT	3000K / 4000K
LED	OSRAM
CRI	Ra90
Beam angle	20°-60°
Wattage	10W
Voltage	24 VDC
Dimmable option	TRIAC, 0/1-10V, DALI